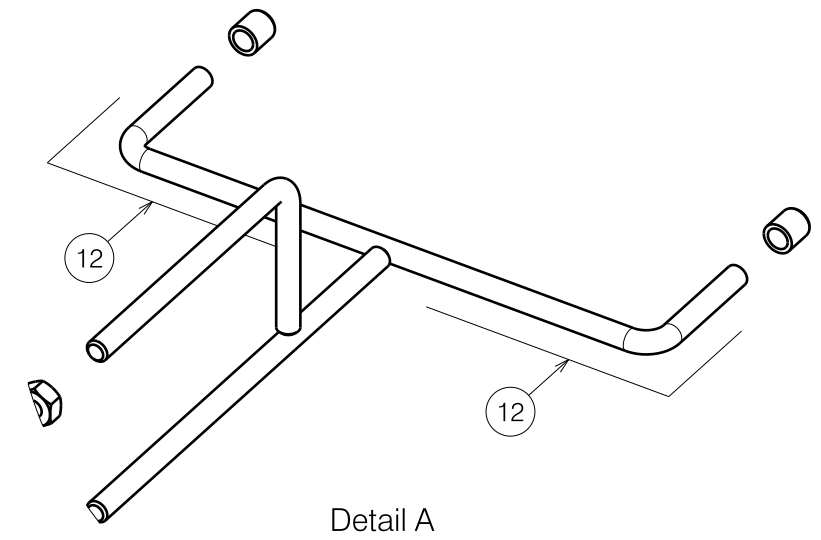


Material			
No.	Plan	Article	Quantity
1	M8 DIN125B	1001556	4
2	M8x20	1001580	1
3	20x20	1001612	1
4	Ø7.8	1001622	6
5	M8 DIN934	1001671	2
6	M8x14	1902024	2
7	/	/	/
8	Y022385	2042104	1
9	Y021532	2014304	1
10	Y021533	2014004	1
11	Y021537	2014204	1
12	Ø12	T001105	0.115m (x6)
13	M8x16	2990024	1
*14	---	1914790	1

* Only for Carpo



1913980

E000996 / D

ROLLATOR HOLDER FOR QUADRI LIGHT				Plan No.
				E000996 / D
Scale: 1:5	Drafted	Verified	Confirmed	
Date	21/09/2015	19/02/2018	19/02/2018	
Initials	TT	TT	PJ	