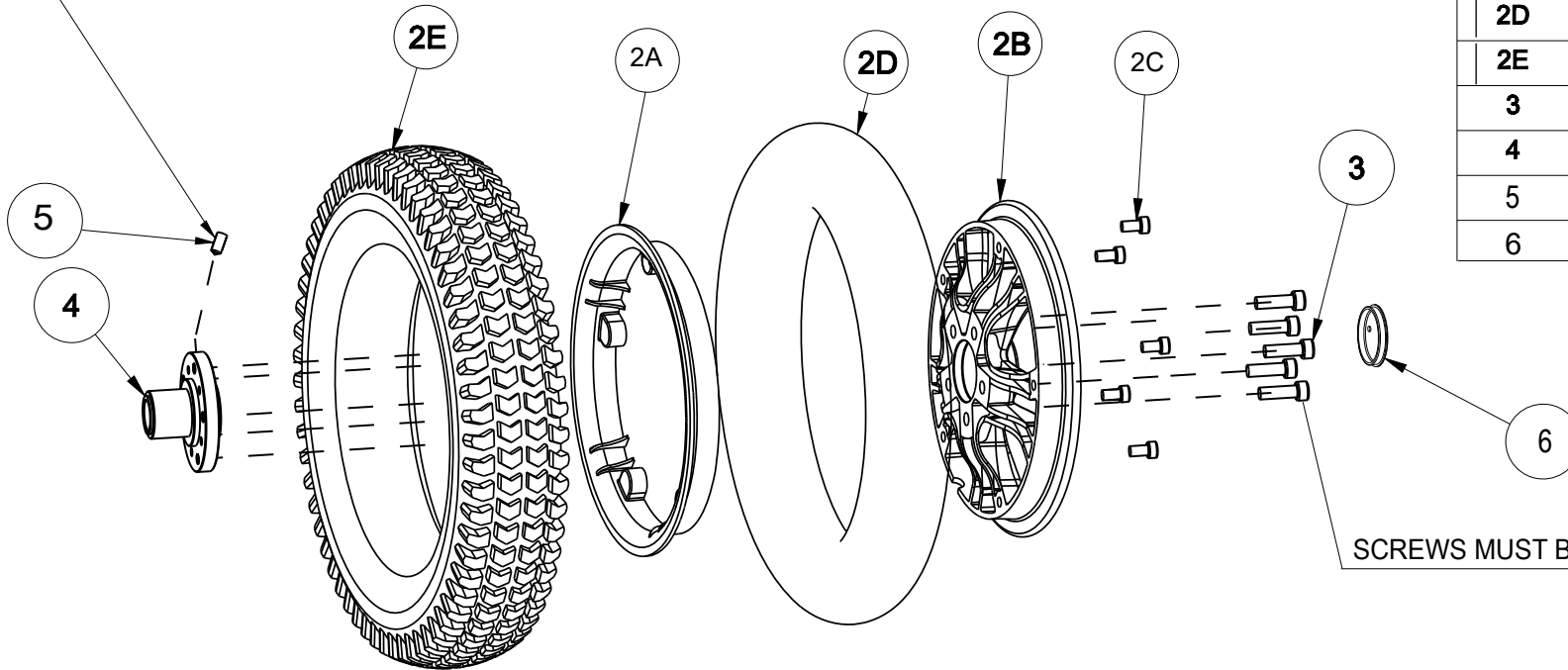


NUT MUST BE GLUED WITH H900019



SCREWS MUST BE GLUED WITH H900019

Material			
No.	Plan	Article	Number
2	---	3992790	1
2A	X005470	2011904	1
2B	X005469	2011804	1
2C	DIN912 M8X16	3991741	5
2D	---	1006903	1
2E	---	1905403	1
3	DIN912 M8X16	3991741	5
4	XC00186	3990720	1
5	---	1904868	1
6	X005083	1908680	1

EC00295/F

SV CARPO SE			Plan No. EC00295/F
BACK WHEEL SET LEFT			
Scale: 1:5	Drafted	Verified	Confirmed
Date	25/09/2015	14/12/2017	14/12/2017
Init.	KZ	Mars	TG

