

User manual

MANUEL D'UTILISATION
GEBRUIKSAANWIJZING
GEBRAUCHSANWEISUNG
MANUALE DI ISTRUZIONI
MANUAL DE INSTRUCCIONES
INSTRUKCJA OBSŁUGI
NÁVOD K OBSLUZE

V300DL



EN

Instructions for specialist dealer

This instruction manual is part and parcel of the product and must accompany every product sold.

Version: B, 2022-05

FR

Instructions pour les distributeurs

Ce manuel d'instructions fait partie du produit et doit accompagner chaque produit vendu.

Version : B, 2022-05

NL

Instructies voor de vakhandelaar

Deze handleiding is deel van het product en dient bij iedere product te worden geleverd.

Versie: B, 2022-05

DE

Hinweise für den Fachhändler

Diese Gebrauchsanweisung ist Bestand-teil des Produkts und ist bei jeder Produkts auszuhändigen.

Version: B, 2022-05

IT

Istruzioni per il rivenditore

Il presente Manuale di istruzioni è parte integrante del prodotto e deve essere fornito assieme alla prodotto.

Versione: B, 2022-05

ES

Instrucciones destinadas a los distribuidores especializados

El presente manual de instrucciones es parte integrante del producto y se debe adjuntar a todas las producto que se vendan.

Versión: B, 2022-05

PL

Instrukcje dla wyspecjalizowanego sprzedawcy

Niniejsza instrukcja obsługi jest nieodłączną częścią produktu i musi być dołączona do każdego sprzedawanego produktu.

Wersja: B, 2022-05

CS

Pokyny pro specializovaného prodejce

Tento návod k obsluze je součástí dodávky a musí být součástí každého prodaného produktu.

Verze: B, 2022-05

All rights reserved, including translation.

Tous droits réservés, y compris la traduction.

Alle rechten, inclusief vertaling, voorbehouden.

Alle Rechte, auch an der Übersetzung, vorbehalten.

Tutti i diritti riservati (anche sulla traduzione).

Todos los derechos reservados, incluidos los de la traducción.

Wszelkie prawa zastrzeżone, łącznie z tłumaczeniem.

Všechna práva vyhrazena, včetně překladu.



English

Français

Nederlands

Deutsch

Italiano

Español

Polski

Czech

User manual

Manuel d'utilisation

Gebruiksaanwijzing

Bedienungshandbuch

Manuale di istruzioni

Manual de instrucciones

Instrukcja obsługi

Návod k obsluze

This page is intentionally left blank



Contents

Contents	1
Preface	2
1 Your product	3
1.1 Accessories.....	3
2 Before use	4
2.1 Intended use.....	4
2.2 General safety instructions.....	4
2.3 Symbols on the wheelchair.....	4
2.4 Transport.....	5
2.5 Folding/Unfolding.....	7
2.6 Storage.....	7
3 Using your wheelchair	8
3.1 Mounting or removing the footrests.....	8
3.2 Operating the brakes.....	8
3.3 Mounting or removing the armrests.....	9
3.4 Adjusting the armrest.....	9
3.5 Adjusting anti-tipping.....	10
3.6 Mounting or removing the push bar.....	10
3.7 Push handle height.....	10
3.8 Transfer in and out of the wheelchair.....	11
3.9 Riding the wheelchair.....	11
4 Maintenance	14
4.1 Points of maintenance.....	14
4.2 Maintenance instructions.....	14
4.3 Troubleshooting.....	15
4.4 Expected lifespan.....	15
4.5 Reuse.....	15
4.6 End of use.....	15
5 Technical specifications	16

Preface

Congratulations! You are now owner of a Vermeiren wheelchair!

This wheelchair is made by qualified and committed personnel. It is designed and produced according to high quality standards, guarded by Vermeiren.

Please read this manual carefully; it will help you to get familiar with the operation, capabilities and limitations of your wheelchair.

If you still have questions after reading this manual, do not hesitate to contact your specialist dealer. He/she will be glad to help you.

Important note

To ensure your safety, and to prolong the lifetime of your product, please take good care of it and have it checked and serviced on a regular basis.

This manual reflects the latest product developments. Vermeiren has the right to implement changes to this type of product without any obligation to adapt or replace similar products previously delivered.

Pictures are used to clarify the instructions in this manual. Details of the depicted product may deviate from your product.

Information available

On our website <http://www.vermeiren.com/> you will always find the most recent version of the information in this manual. Please consult this website regularly for possible updates.

Visually impaired people can download the electronic version of this manual and have it read out by means of a text-to-speech software application.



User manual

For user and specialist dealer



Installation instructions

For specialist dealer



Service manual for wheelchairs

For specialist dealer



EC declaration of conformity

1 Your product



1. Handgrips
2. Push bar
3. Handle height star knob
4. Backrest
5. Arm pads
6. Armrests
7. Seat
8. Footrests
9. Footplates
10. Steering wheels (front wheels)
11. Brakes
12. Driving wheels (rear wheels)
13. Hand rims
14. Tip cap
15. Anti-tipping
16. Cross
17. Identification plate

1.1 Accessories

The following accessories are available for the V300DL:

- Anterior pelvic belt (B20)
- Tables
- Crutch holder

2 Before use

2.1 Intended use

- Indications and contraindications: The user can propel the wheelchair by himself or have the wheelchair pushed by an attendant. The wheelchair is intended for elderly people or people with walking difficulties or no walking abilities, such as paralysis, loss of limbs, limb defects or deformations, stiff or damaged joints, heart insufficiencies and poor blood circulation, balance disturbances, cachexia (decrease in muscle), ... You should NOT use this wheelchair if you suffer from physical or mental impairments that may put you, or other people, in danger when driving the wheelchair. For this reason, consult your doctor first and make sure that your specialist dealer is informed about his advice.
- This wheelchair is suitable for indoor and outdoor use.
- This wheelchair is designed and produced solely to transport/transfer one (1) person with a maximum weight of 130kg. It is not designed for transportation of goods or objects, nor for any use other than previously described.
- Only use accessories and spare parts approved by Vermeiren.
- Please read all technical details and limits of your wheelchair in chapter 5.
- The warranty on this product is based on normal use and maintenance as described in this manual. Damage to your product caused by improper use or lack of maintenance will cause the warranty to lapse.

2.2 General safety instructions

 CAUTION Risk of injuries and/or damage

Carefully read and follow the instructions in this manual. Otherwise you may get injured or your wheelchair may get damaged.





Keep the following general warnings in mind during use:

- Do not use your wheelchair if you are under influence of alcohol, medicines or other substances that may influence your riding abilities.
- Be aware that some parts of your wheelchair may get very hot or cold due to ambient temperature, solar radiation or heating devices. Be careful when touching. Wear protective clothing if the weather is cold. When going outdoors, riding gloves can be used to improve the grip on the hand rims.
- Do not modify your wheelchair in any way.

Be aware that your wheelchair may interfere with some types of anti-theft systems, depending on the settings used. This may cause the shop's alarm to go off.

In case a serious incident has occurred involving your product, notify Vermeiren or your specialist dealer as well as the competent authority in your country.

2.3 Symbols on the wheelchair

	Maximum weight of the user in kg
	Indoor/outdoor use
	Maximum safe slope in ° (degrees).
	Type designation

2.4 Transport

2.4.1 Transport by vehicle, as luggage

 **WARNING** Risk of injuries

- Make sure that the wheelchair is attached properly to avoid injury from the passengers during collision or sudden braking.
 - NEVER use the same seatbelt to secure the wheelchair and passenger.
1. Remove footrests, armrests and accessories.
 2. Store footrests, armrests and accessories safely.
 3. If possible, fold the wheelchair and remove the rear wheels.
 4. Place the wheelchair in the luggage compartment.
 5. If the luggage and passenger compartments are NOT separated, attach the frame of the wheelchair securely to the vehicle. You can use the available safety belts in the vehicle.

2.4.2 Use of the wheelchair as seat in a motor vehicle

 **WARNING** Risk of injuries

- The wheelchair has passed the crash test of ISO 7176-19: 2008 and, as such, has been designed and tested for use only as forward-facing seat in a motor vehicle.
- The wheelchair's pelvic belt alone is not suited as an occupant restraint belt.

The wheelchair is tested using the four-point strap-tie system and a 3-point occupant-restraint system.

Whenever feasible, use the seat of the vehicle and store the wheelchair in the cargo area.

Steps to secure the wheelchair in a motor vehicle:

1. Check that the vehicle is equipped with a suitable wheelchair tie down and occupant-restraint system, conform ISO 10542.
2. Check that the components of the wheelchair tie down and occupant restraint system are not frayed, contaminated, damaged or broken.
3. If equipped with an adjustable seat and/or back tilt, make sure that the wheelchair user is sitting as upright as possible. If the user's condition prevents this, a risk assessment should be done to evaluate the user's safety during transit.
4. Remove all mounted accessories such as trays and respiratory equipment, and secure them in a safe place.
5. Position the wheelchair facing forward in the travelling direction, centrally between the tie-down rails mounted in the floor of the vehicle.
6. Make sure that the indicated zones around the wheelchair user are clear from rigid vehicle parts.

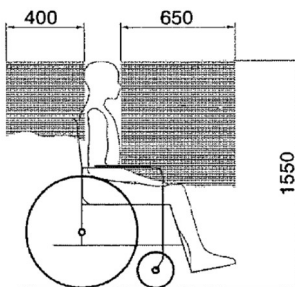


Figure 1

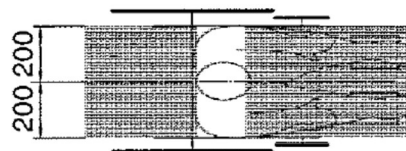


Figure 2

7. Mount the front securement straps according to the instructions of the strap-system manufacturer at the indicated place (figure 3). This place is marked on the wheelchair with a symbol (figure 4).
8. Roll back the wheelchair until the front straps are tight.

9. Apply the wheelchair brake.
10. Mount the back securement straps according to the instructions of the strap-system manufacturer at the indicated place (figure 3). This place is marked on the wheelchair with a symbol (figure 4).

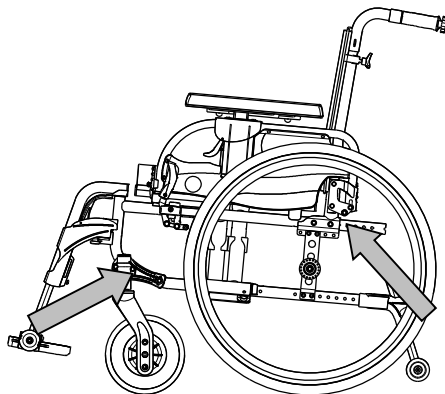


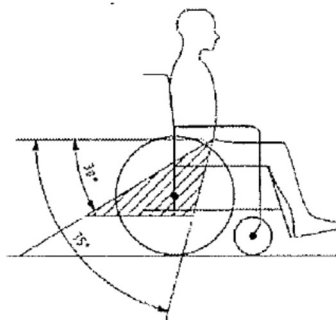
Figure 3



Figure 4

Steps to secure the wheelchair user:

1. Remove both armrests.
2. If present, attach the wheelchair's pelvic belt.
3. Attach the occupant restraint belts according to the instructions of the strap-system manufacturer.
4. Wear the pelvic belt low across the front of the pelvis, so that the angle of the pelvic belt is within the preferred zone of 30° to 75° to the horizontal, similar to that shown below.

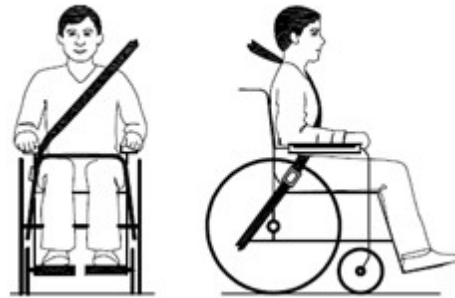


5. A steeper (greater) angle within the preferred zone is desirable.
6. Adjust the belt tightly according to the instructions of the strap-system manufacturer, consistent with the user's comfort.
7. Ensure that the restraint belt connects in a straight line to the anchor point in the vehicle and that no bends in the belt are visible, for instance at the axle of the rear wheel.
8. Install the armrests, if desired. make sure that belts are not twisted or held away from the body by wheelchair components such as armrests or wheels.

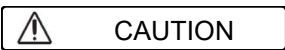
RESTRAINTS SHOULD NOT BE HELD AWAY FROM BODY BY WHEELCHAIR COMPONENTS SUCH AS ARMRESTS OR WHEELS



PELVIC RESTRAINTS SHOULD MAKE FULL CONTACT ACROSS THE FRONT OF THE BODY NEAR THE JUNCTION OF THE THIGH AND PELVIS



2.5 Folding/Unfolding



CAUTION

Risk of injuries

Keep fingers away from moving parts of the wheelchair.

2.5.1 Unfolding the wheelchair

1. Position yourself behind the wheelchair.
2. Use the handgrips to open the wheelchair as much as possible.
3. Position yourself at the front of the wheelchair.
4. Push both seating tubes down till they are fixed in their position.

2.5.2 Folding the wheelchair

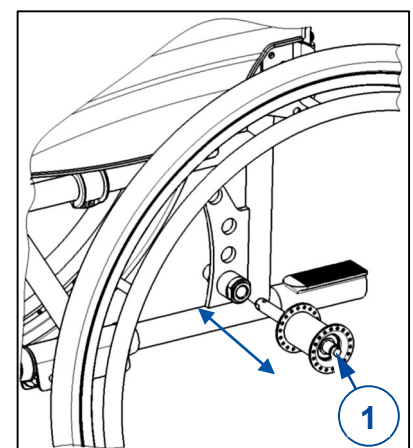
1. Fold the footplates or remove the footrests (see § 3.1).
2. Take the seat on the front side and backside and pull it up.

2.5.3 Mounting the rear wheels

1. Take the rear wheel and push button (1).
2. Keep the button pushed in and mount the rear wheel axle until it stops.
3. Release the button.
4. Check that the wheel is secured.

2.5.4 Taking off the wheels

1. Make sure the brakes standing in the off position.
2. Take the wheelchair to the side frame where you want to remove the wheel.
3. Press the button (1) in the center of the wheel hub.
4. Pull the wheel away from the frame.



2.6 Storage



Make sure that your wheelchair is stored in a dry environment to prevent mould from growing and the upholstery from being damaged, see also chapter 5.

3 Using your wheelchair



WARNING

Risk of injuries

- First read previous chapters and inform yourself about the intended use. Do NOT use your wheelchair unless you have read and fully understood all instructions.
- In case of doubts or questions, do not hesitate to contact your local specialist dealer, your care provider or technical adviser to help you with this.

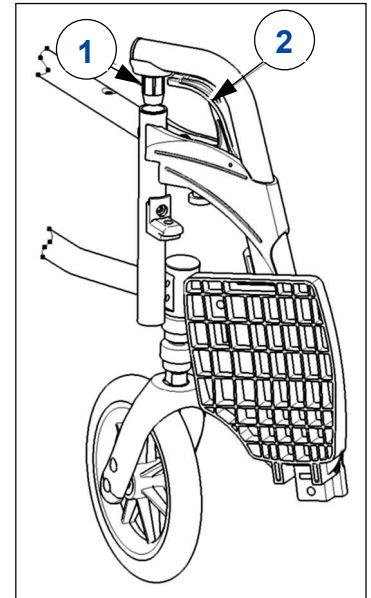
3.1 Mounting or removing the footrests

Mounting the footrests is done as follows:

1. Hold the footrest sideways at the outside of the wheelchair's frame and mount the tube hood (1) into the frame.
2. Swing the footrest inwards until it clicks in position.
3. Swing the footplate downwards.

To take off the footrests:

1. Pull lever (2).
2. Swing the footrest to the outside of the wheelchair until it comes loose from the guidance.
3. Pull the footrest from the tube hood (1).



3.2 Operating the brakes

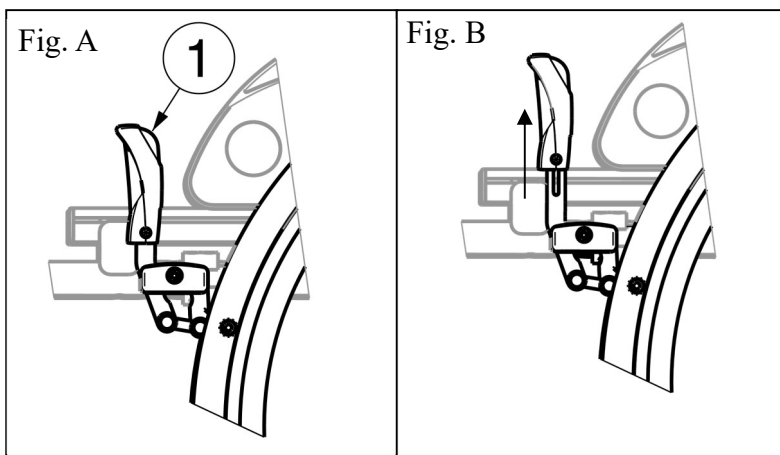


CAUTION

Risk of injuries

- The brakes are not used to slow down the wheelchair during movements. Use the brake only to prevent the wheelchair from unintended movements.
- Good operation of the brakes is influenced by wear and contamination of the tires (water, oil, mud, ...). Check the condition of the tires before each use.
- The brakes are adjustable and can wear. Check the operation of the brakes before each use.
- Make sure the wheelchair is on a flat horizontal surface before releasing the brakes. Never release both brakes simultaneously.

To reduce the braking force it is possible to extend the brake lever (Fig. B).



To apply the brakes (Fig. A):

1. Push the brake levers forward until you feel a distinctive click.

To release the brakes:

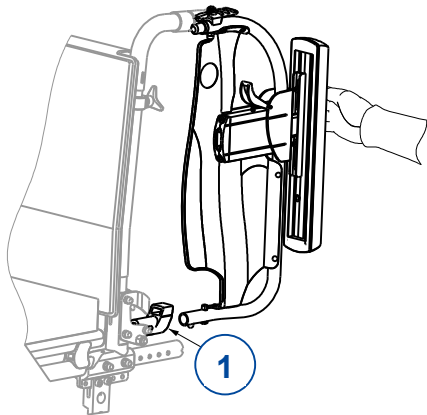
1. Release one brake by pulling the lever backwards.
2. Hold the hand rim of the released wheel with your hand.
3. Release the second brake by pulling the lever backwards.

3.3 Mounting or removing the armrests

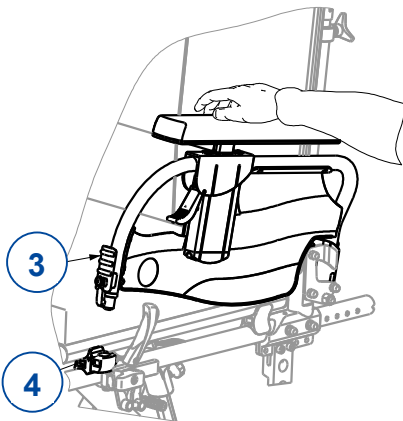
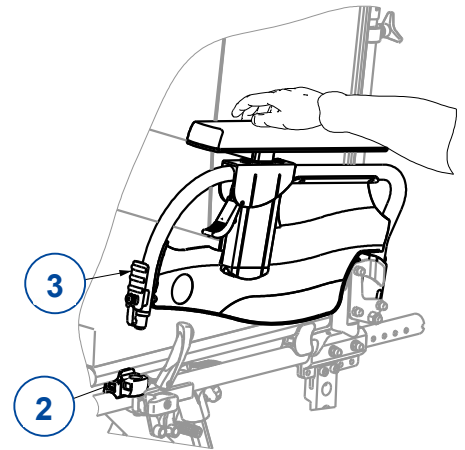
CAUTION Risk of injuries

- Keep fingers, buckles and clothes away from the bottom side of the armrest.

The armrests of the wheelchair can be mounted by following instructions.



1. Mount the rear tube of the armrest in tube hood (1).
2. Make sure the armrest clicks in the locking mechanism.
3. Fold the armrest forward.
4. Click the front tube of the armrest in tube hood (2).



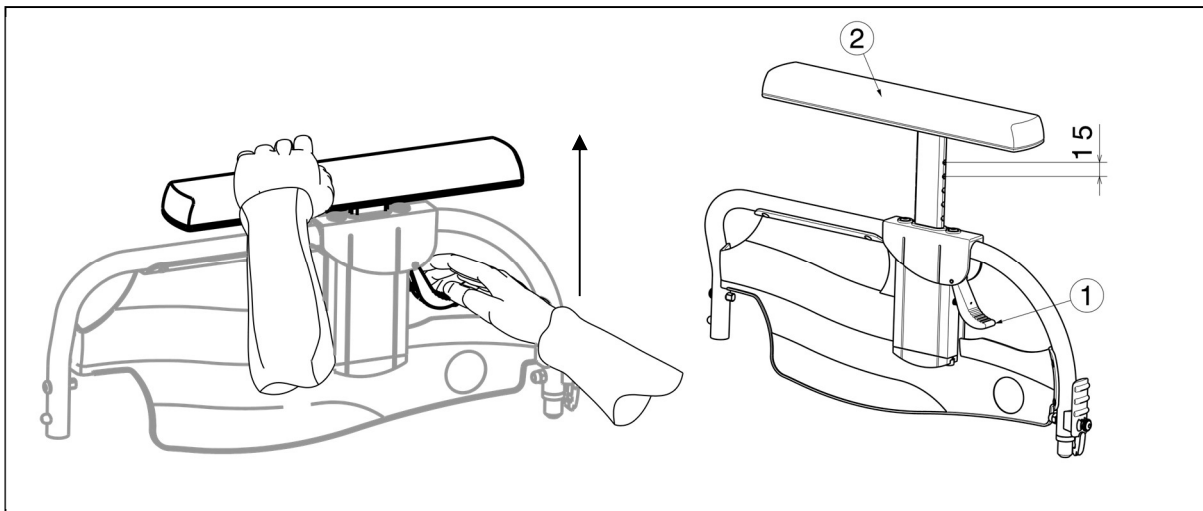
To open and remove the armrest:

1. Press lever (3) and pull the front of the armrest upwards.
2. Fold the armrest backwards.
3. To remove the armrest, press button (4) and pull the rear of the armrest from tube hood (1).

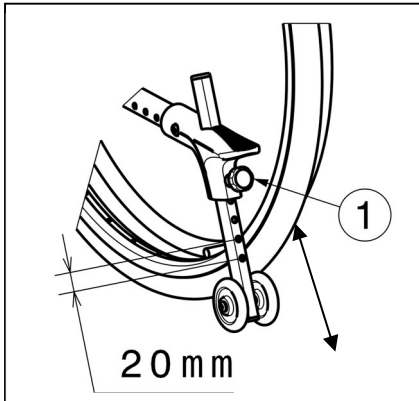
3.4 Adjusting the armrest

The height of the armrest can be adjusted in 8 positions (range 105 mm: steps 15 mm):

1. Push the lever ①.
2. Adjust the arm pad ② in the desired height.
3. Loosen the lever ①.
4. Check the arm pad ② is firmly secured.




3.5 Adjusting anti-tipping



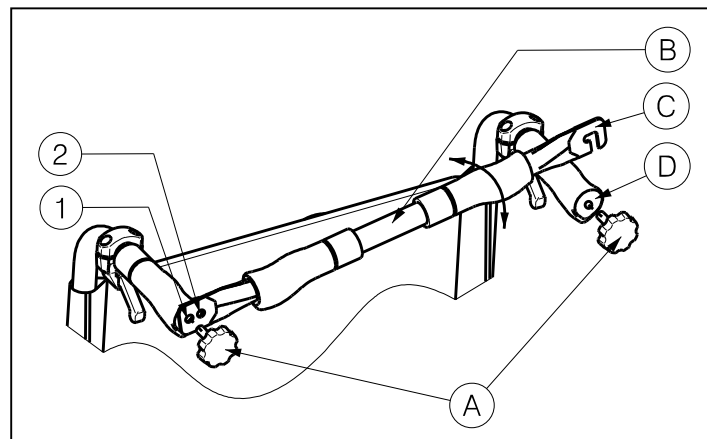
Adjust the height of the anti-tipping in 7 positions (range 120 mm: steps 20 mm):

1. Loosen the star knob (1) a little bit.
2. Move the tube of the anti-tipping in the desired height.
3. Secure the star knob (1).
4. Make sure that the anti-tipping is firmly secured.

3.6 Mounting or removing the push bar

 **WARNING** Risk of injuries

- Make sure that buttons (A) are tightened.
- When equipped with the push bar, the push bar should always be mounted to increase the stability of the back.



To mount the push bar:

1. Mount the push bar (B) with the star knob (A) in the left handgrip.
2. Swing the push bar (B) to the right.
3. Mount hook (C) over the right handgrip (D) as shown on the drawing. Use holes (1) or (2) to adjust the tension of the backrest.

To take off the push bar:

1. Loosen the star knob (A) on the right handgrip.
2. Remove hook (C) from the right handgrip (D).


3.7 Push handle height

The push handles can be adjusted steplessly over a distance of 60 mm:

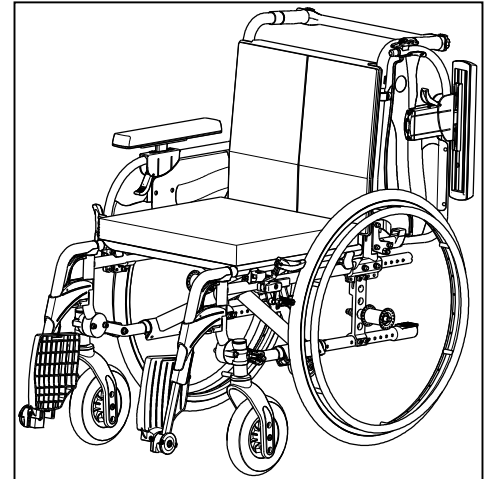
1. Loosen the screw (1).
2. Move the handgrip up/down to the desired height.
3. Retighten the screw (1).
4. Repeat for the other handle. Make sure that both handles are firmly secured.



3.8 Transfer in and out of the wheelchair

 CAUTION Risk of injuries

- In case you cannot perform the transfer in a safe manner, ask someone to assist you.
 - Do not stand on the footplates.
1. Position the wheelchair as close as possible to the chair, couch or bed to/from you wish to transfer.
 2. Make sure that both brakes of the wheelchair are activated.
 3. Fold the foot plates upwards to prevent standing on them.
 4. If the transfer is on the side of the wheelchair, remove the armrest on that side (see § 3.3) and fold the brake lever down.
 5. Transfer to/from the wheelchair.



3.8.1 Correct position in the wheelchair

Some recommendations for a comfortable use of the wheelchair:

- Position your backside as close as possible to the backrest.
- Make sure your upper legs are horizontal. If needed adjust the length of the footrests (see installation manual).

3.9 Riding the wheelchair


 CAUTION Risk of injuries and damage

- Before every usage, make sure that:
 - parking brakes are working properly.
 - tires are in good condition, see §4.
- Prevent your fingers from being caught by the wheel spokes.
- Do not operate the hand rims with wet hands.
- Prevent entrapment of your hands on the hand rims when you pass small passages.
- Do NOT drive on slopes, obstacles, steps or kerbs larger than specified in §5.
- When you stop on a (small) slope, use your brakes.
- Make sure all four wheels touch the ground while riding up or down a slope.
- Take slopes as slow as possible.
- Always stay on the pavement when riding on public roads.
- Pay attention if the road has holes or gaps that may cause entrapment of the wheels.
- Avoid stones and other objects that may block the wheels.
- Make sure that the footplates do not touch ground while taking an obstacle.
- Do not use your wheelchair on an escalator.
- If available, wear your safety belt.
- Always keep the swing range of the footplate in mind to prevent bystanders from being injured or objects from being damaged.
- If you don't have enough experience riding your wheelchair, ask assistance of an attendant. Keep your arms away from the wheels and keep your feet on the footplate.
- Stairs should always be negotiated with the help of two attendants.
- Never try to use stairs that are not appropriate for wheelchairs.

3.9.1 Riding your wheelchair:

1. Release the brakes.
2. Take both hand rims at their highest position.
3. Lean forward and push the hand rims forward until your arms are straight.
4. Move your hands back to the top of the hand rims and repeat the movement.

3.9.2 Moving on slopes


 **WARNING** Risk of injuries

- Moving on slopes as slow as possible.
- If your attendant does not have enough force to control the wheelchair, put on the brakes.
- Lean forward to move your centre of gravity forward. To improve a better stability.



1. If available on the wheelchair, wear the safety belt.
2. Do not attempt moving on too high slopes. The maximum slope angles (upwards and downwards) are mentioned in table 1.
3. Ask an attendant to help you moving on the slope.
4. Lean forward to move your centre of gravity forward.

3.9.3 Negotiating steps or kerbs

 **WARNING** Risk of injuries

- If you do not have enough experience with your wheelchair, ask assistance of an attendant.

Getting down steps or kerbs

Riding down low kerbs can be done moving forwards. Make sure that the foot bracket does not touch the ground.



A practiced user can negotiate small steps or kerbs by himself:

1. Bring balance on the rear wheels to reduce the pressure on the front wheels.
2. Negotiate the kerbs.

Higher kerbs can be taken forward with an attendant:

1. Ask the attendant to tip the wheelchair slightly backwards.
2. Get past the kerbs while moving on the rear wheels.
3. Put the wheelchair back on the four wheels.

An experienced user can negotiate higher kerbs by himself. This is best done backwards.



1. Turn the wheelchair to have the rear wheels facing the kerb.
2. Lean forward to move your centre of gravity forward.
3. Move the wheelchair close to the kerbs.
4. Use the hand rim to roll-off wheelchair from the kerb in a controlled manner.

Moving up steps or kerbs

Moving up steps or kerbs with attendant as follows:

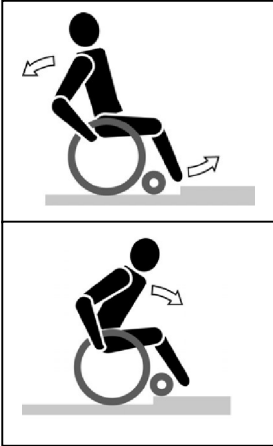


1. Prevent the foot bracket from touching the kerb.
2. Ask the attendant to tip the wheelchair backwards, just enough to move the front wheels over the kerb.
3. Lean backwards to move your centre of gravity above the rear wheel.
4. Place the front wheels on the kerb.
5. Roll rear wheels of the wheelchair over the kerb.

Higher kerbs are negotiated backwards:


1. Turn the wheelchair to have the rear wheels facing the kerb.
2. Lean backwards and move your centre of gravity above the rear wheels.
3. Ask the attendant to pull the wheelchair on the kerb.
4. Take back the normal position in the wheelchair.

An experienced user can negotiate kerbs by himself:



1. Drive until the kerbs.
2. Ensure that the foot bracket do not touch the kerbs.
3. Lean backwards so you are balancing on the rear wheels.
4. Roll the front wheels balancing over the kerbs.
5. Bend forwards for more stability.
6. Roll the rear wheels over the kerbs.

3.9.4 Taking stairs

 **WARNING** Risk of injuries

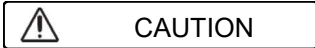
- Stairs should always be taken with the help of two attendants.

Taking of stairs while you staying in the wheelchair shall be according following rules:

1. One attendant tip the wheelchair slightly backwards.
2. The second attendant take the front of the frame.
3. Stay calm, avoid sudden movements and keep your arms inside the wheelchair.
4. Take the steps on the rear wheels of the wheelchair.

4 Maintenance

4.1 Points of maintenance



CAUTION

Risk of injuries and damage

Repairs and replacements may only be undertaken by trained persons and only genuine replacement parts of Vermeiren should be used.

i The service frequency depends on the frequency and intensity of use. Contact your dealer to agree to a common timetable for inspection/maintenance/repair.

For the maintenance manual, refer to the Vermeiren website: www.vermeiren.com.

Before each use

Inspect the following points:

- All parts: Present and undamaged or unworn.
- All parts: Clean, see § 4.2.2.
- Wheels, backrest, seat, calf rests, arm rests, footplates: Well secured.
- Condition of wheels/tyres, see § 4.2.1;
- Condition of frame parts: No deformation, instability, weakness or loose connections
- Seat, backrest, arm pads, calf pads and head rest (if applied): No excessive wear (like dented spots, damage or tears).
- Brakes: Undamaged and functioning.

Contact your specialist dealer for possible repairs or part replacements.

Yearly or more often

Have your wheelchair inspected and serviced by your specialist dealer, at least once a year, or more often. The minimum maintenance frequency depends on use and should therefore be commonly agreed upon with your specialist dealer.

4.2 Maintenance instructions

4.2.1 Wheels and tyres

i Proper working of the brakes depends on the state of the tyres, and can change due to wear and contamination (water, oil, mud, ...).

Keep your wheels free of wires, hair, sand and fibres.

Check the profile of the tyres. If the tread depth is less than 1 mm, the tyres need to be replaced.

Contact your specialist dealer for this matter.

Inflate each pneumatic tyre to the correct pressure (see pressure indication on the tyres).

4.2.2 Cleaning



CAUTION

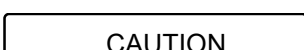
Risk of damage by moisture

Never use a hose or high-pressure cleaner to clean the wheelchair.

Wipe all rigid parts of the wheelchair with a damp cloth (not drenched). If necessary, use a mild soap, suitable for varnishes and synthetics.

The upholstery can be cleaned with lukewarm water and a mild soap. Do not use abrasive cleaning agents to clean.

4.2.3 Disinfection



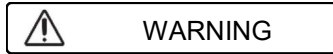
CAUTION

Risk of damage

Disinfections may only be undertaken by trained persons. Consult your specialist dealer.

4.3 Troubleshooting

Even if you use your wheelchair properly, a technical problem may occur. In this case, contact your local specialist dealer.



Risk of injuries and damage to the wheelchair

NEVER repair your wheelchair yourself attempting to solve the problem.

The following symptoms may indicate a serious problem. Therefore always contact your specialist dealer if you spot any of the following deviations:

- Strange sound;
- Uneven tread wear on one of the tyres;
- Jerky movements;
- Wheelchair deflects to one side;
- Damaged or broken wheel assemblies.

4.4 Expected lifespan

The average lifespan of your wheelchair is 5 years. Depending on the frequency of use, driving circumstances and maintenance, the lifespan of your wheelchair will increase or decrease.

4.5 Reuse

Before each reuse, have the wheelchair disinfected, inspected and serviced according to the instructions in §4.1 and §4.2.

4.6 End of use

At end of life, you need to dispose your wheelchair according to the local environmental legislation. The best way to do so, is to disassemble the wheelchair to facilitate the transport of recyclable parts.

5 Technical specifications

Technical terms below are valid for the wheelchair in standard settings. If other footrests / armrests or other accessories are used, the tabulated values will change.

Make	Vermeiren
Type	Manual wheelchair
Model	V300DL
Maximum occupant mass	130 kg

Description	Min. dimensions			Max. dimensions		
Overall length with footrest	1000 - 1040 mm					
Effective seat width	390 mm	420 mm	440 mm	460 mm	480 mm	500 mm
Overall width (depends on the seat width)	600 mm	630 mm	650 mm	670 mm	690 mm	710 mm
Folded length without footrest	810 mm					
Folded width	320 mm					
Folded height (depends on seat height)	890 mm - 990 mm					
Total mass	18,8 kg					
Mass of heaviest part	11 kg					
Masses of parts that can be dismantled or removed	Footrests: 1,70 kg; Armrests: 2,20 kg; Rear wheels: 3,7 kg					
Static stability downhill	10° (in standard configuration)					
Static stability uphill	7° (in standard configuration)					
Static stability sideways	18° (in standard configuration)					
Obstacle climbing	60 mm					
Seat plane angle	0°			10°		
Effective seat depth	440 mm			520 mm		
Seat surface height at front edge	440 mm			530 mm		
Backrest angle	5°					
Backrest height	420 mm					
Distance between footrest and seat	330 mm			500 mm		
Angle between seat and footplate	5°			25°		
Angle between seat and leg footrest	105°					
Angle between leg footrest and footplate	80°					
Distance between arm pad and seat	195 mm			300 mm		
Front location of arm pad structure	335 mm			455 mm		
Handrim diameter	535 mm					
Horizontal location of axle (deflection)	1,27 mm			61,04 mm		
Minimum turning radius	1500 mm					
Diameter PU Rear wheels	22"			24"		
Tyre pressure, rear (driving) wheels	Max. 3,5 bar					
Diameter PU steering wheels	200 mm					
Tyre pressure, steering wheels	Max. 2,5 bar					
Frame material	Aluminium					
Upholstery material	Nylon					



Storage and use temperature	+ 5 °C	+ 41 °C
Storage and use humidity	30%	70%
We reserve the right to introduce technical changes. Measurement tolerance ± 15 mm / 1,5 kg / 1,5°		

Table des matières

Table des matières	1
Préface	2
1 Votre produit	3
1.1 Accessoires	3
2 Avant l'utilisation	4
2.1 Usage prévu	4
2.2 Instructions générales de sécurité	4
2.3 Les symboles sur le fauteuil roulant	4
2.4 Transport	5
2.5 Pliage/Dépliage	7
2.6 Entreposage	7
3 Utilisation de votre fauteuil roulant	8
3.1 Placer ou enlever les repose-pieds	8
3.2 Utilisation des freins	8
3.3 Montage ou retrait des accoudoirs	9
3.4 Réglage de la hauteur de l'accoudoir	9
3.5 Réglage de l'anti-bascule	10
3.6 Montage ou démontage de la barre de poussée	10
3.7 Hauteur de la poignée de poussée	10
3.8 Transfert dans et hors du fauteuil roulant	11
3.9 Déplacements avec le fauteuil roulant	11
4 Entretien	14
4.1 Points d'entretien	14
4.2 Instructions d'entretien	14
4.3 Résolution des problèmes	15
4.4 Durée de vie attendue	15
4.5 Réutilisation	15
4.6 Mise au rebut	15
5 Spécifications techniques	16

Préface

Félicitations ! Vous êtes à présent l'heureux propriétaire d'un fauteuil roulant Vermeiren !

Ce fauteuil roulant a été fabriqué par un personnel qualifié et responsable. Il est conçu et produit conformément aux normes de qualité élevées, appliquées par Vermeiren.

Merci de la confiance que vous accordez aux produits de Vermeiren. Ce manuel est destiné à vous aider dans l'utilisation de ce fauteuil roulant et de ses options de fonctionnement. Veuillez le lire attentivement. Vous pourrez ainsi vous familiariser avec le fonctionnement, les capacités et les limites de votre fauteuil roulant.

Si vous avez encore des questions après la lecture de ce manuel, n'hésitez pas à prendre contact avec votre revendeur spécialisé. Il vous aidera volontiers.

Remarque importante

Pour assurer votre sécurité et prolonger la durée de vie de votre produit, prenez-en grand soin et faites-le contrôler ou entretenir régulièrement.

Ce manuel est le reflet des derniers développements du produit. Vermeiren a le droit d'apporter des modifications à ce type de produit sans être tenu d'adapter ou de remplacer des produits similaires fournis précédemment.

Les illustrations du produit sont utilisées afin de clarifier les instructions de ce manuel. Les détails du produit illustré peuvent diverger de votre produit.

Informations disponibles

Sur notre site Internet <http://www.vermeiren.com/>, vous trouverez toujours la dernière version des informations décrites dans le présent manuel. Veuillez consulter régulièrement ce site Internet pour connaître les éventuelles mises à jour.

Les personnes malvoyantes peuvent télécharger la version électronique de ce manuel et la lire au moyen d'une application de texte-parole.



Manuel d'utilisation
Pour l'utilisateur et le revendeur spécialisé



Instructions d'installation
Pour le revendeur spécialisé



Manuel d'entretien des fauteuils roulants
Pour le revendeur spécialisé



Déclaration de conformité CE

1 Votre produit



1. Poignées de poussée
2. Barre de poussée
3. Bouton étoile de la hauteur de la poignée
4. Dossier
5. Manchettes
6. Accoudoirs
7. Siège
8. Repose-pieds
9. Palettes
10. Roues directrices (roues avant)
11. Freins
12. Roues motrices (roues arrière)
13. Mains-courantes
14. Monte trottoir
15. Anti-basculement
16. Croisillon
17. Plaque d'identification

1.1 Accessoires

Les accessoires suivants sont disponibles pour le V300DL:


- Sangle pelvienne antérieure (B20)
- Tablettes
- Porte béquilles

2 Avant l'utilisation

2.1 Usage prévu

- Indications et contre-indications: L'utilisateur peut lui-même faire avancer le fauteuil roulant ou se faire pousser par une autre personne. Le fauteuil roulant est destiné aux personnes gériatriques ou personnes qui ont des difficultés à marcher ou sont dans l'impossibilité de marcher, telles que paralysie, de la perte de membres, déficience ou malformation de membres, de contractions ou d'affections articulaires, insuffisances cardiaques et mauvaise circulation sanguine, troubles de l'équilibre, cachexie (perte musculaire), ... Vous ne devez PAS utiliser ce fauteuil roulant si vous souffrez de handicaps physiques ou mentaux qui pourraient vous mettre, vous-même ou d'autres personnes, en danger pendant la conduite. C'est pourquoi vous devez d'abord consulter votre médecin et vous assurer que votre revendeur spécialisé est informé de cet avis.
- Ce fauteuil roulant convient à un usage à l'intérieur et à l'extérieur.
- Ce fauteuil roulant est conçu et fabriqué uniquement pour le transport d'une (1) personne d'un poids maximum de 130 kg. Il n'est pas destiné au transport de marchandises ou d'objets, ni à tout autre usage que celui décrit précédemment.
- Utilisez uniquement des accessoires et des pièces de rechange approuvés par Vermeiren.
- Consultez également les détails techniques et les limites de votre fauteuil au chapitre 5.
- La garantie sur ce produit est basée sur une utilisation et un entretien normaux, tels que décrits dans le présent manuel. Les dommages à votre produit dus à un usage inapproprié ou à un manque d'entretien auront pour effet d'annuler la garantie.

2.2 Instructions générales de sécurité

 ATTENTION Risque de blessures ou de dommages

Veillez lire et suivre les instructions stipulées dans le présent manuel d'utilisation. Autrement, vous pourriez vous blesser ou votre fauteuil roulant pourrait être endommagé.

Tenez compte des avertissements généraux suivants pendant l'emploi:

- N'utilisez pas votre fauteuil roulant si vous êtes sous l'influence de l'alcool, de médicaments ou d'autres substances qui peuvent influencer vos capacités de conduite.
- N'oubliez pas que certaines parties de votre fauteuil roulant peuvent devenir très chaudes ou très froides en fonction de la température ambiante, des rayons du soleil ou des dispositifs de chauffage. Faites donc attention lorsque vous les touchez. Portez des vêtements de protection s'il fait froid. Lorsque vous sortez, des gants peuvent être utilisés pour améliorer la prise sur les mains courantes.
- Ne modifiez en aucun cas votre fauteuil roulant.

Sachez que votre fauteuil roulant peut interférer avec certains types de systèmes antivols, selon les paramètres utilisés. Cela peut déclencher l'alarme du magasin.

En cas d'incident grave impliquant votre produit, informez Vermeiren ou votre revendeur spécialisé ainsi que l'autorité compétente de votre pays.

2.3 Les symboles sur le fauteuil roulant



Poids maximum de l'utilisateur en kg



Usage à l'intérieur/extérieur



Déclivité sûre maximale en ° (degrés).



Indication du type

2.4 Transport

2.4.1 Transport par véhicule, comme bagages

 **AVERTISSEMENT** Risque de blessures

- Vérifiez que le fauteuil roulant est bien fixé. Vous évitez ainsi des blessures des passagers en cas de collision ou de freinage brutal.
 - N'utilisez JAMAIS la même ceinture pour fixer le fauteuil roulant et le passager.
1. Retirez les repose-pieds, les accoudoirs et les accessoires.
 2. Stockez les repose-pieds, les accoudoirs et les accessoires en toute sécurité.
 3. Si possible, pliez le fauteuil roulant et retirez les roues arrière.
 4. Placez le fauteuil roulant dans le compartiment à bagages.
 5. Si le fauteuil roulant n'est PAS séparé de l'habitacle, fixez correctement le châssis du fauteuil roulant au véhicule. Vous pouvez utiliser les ceintures de sécurité du véhicule.

2.4.2 Utilisation du fauteuil roulant comme siège dans un véhicule motorisé

 **AVERTISSEMENT** Risque de blessures

- Le fauteuil roulant a passé le crash test ISO 7176-19: 2008, et donc a été conçu et testé uniquement pour une utilisation en tant que passager du véhicule.
- La ceinture pelvienne seule n'est pas adaptée pour être utilisée comme ceinture de sécurité pour tout autre passager.

Le fauteuil est testé avec 4 points d'attache et une ceinture 3 points.

Dès que possible, utilisez le siège du véhicule et emportez votre fauteuil dans le coffre.

Etapes pour fixer le fauteuil dans un véhicule:

1. Vérifiez que le véhicule est équipé d'un système d'accroches pour fauteuils roulant, ISO 10542.
2. Vérifiez que les systèmes d'accroche sont en bon état de fonctionnement (Ne pas utiliser si les points d'accroches sont endommagés).
3. Si le fauteuil a une assise ou un dossier réglable, faites en sorte que l'utilisateur soit le plus droit possible dans son fauteuil. Si l'état de santé de l'utilisateur empêche ceci, une évaluation des risques est nécessaire pour évaluer la sécurité de l'utilisateur pendant le transport.
4. Retirez du fauteuil les accessoires tels que tablette, équipement respiratoire et sécurisez les pour le transport.
5. Dans la voiture, positionnez le fauteuil roulant face à la route et centré entre les points d'accroche.
6. Assurez vous qu'il n'y ait aucune partie ou objet du véhicule autour de l'utilisateur qui pourraient le blesser. Ces parties à sécuriser correspondent aux zones grises sur le schéma.

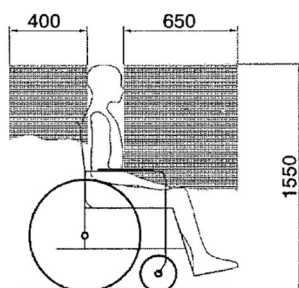


Figure 1

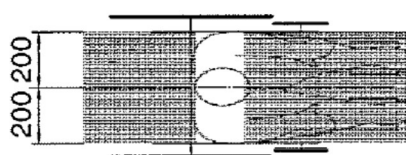


Figure 2

7. Fixez les sangles avant de sécurité comme indiqué par le fabricant (figure 3).
Les points d'accroches sont indiqués sur le fauteuil roulant par un symbole (figure 4).
8. Reculez le fauteuil de façon à ce que les sangles avant soient tendues.
9. Actionnez les freins du fauteuil roulant.
10. Fixez les sangles arrière de sécurité comme indiqué par le fabricant (figure 3). Les points d'accroches sont indiqués sur le fauteuil roulant par un symbole (figure 4).

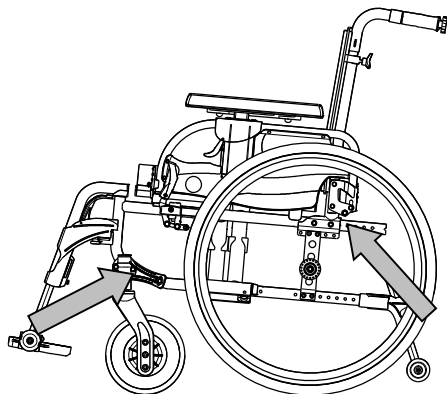


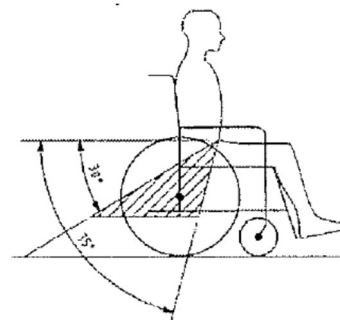
Figure 3



Figure 4

Etapes pour sécuriser l'utilisateur du fauteuil roulant:

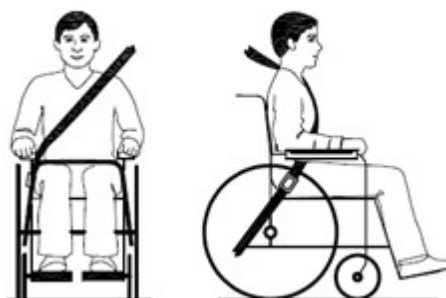
1. Retirez les deux accoudoirs.
2. Si le fauteuil a une ceinture de sécurité, bouclez la.
3. Attachez l'utilisateur du fauteuil comme indiqué par le fabricant des sangles de sécurité.
4. Portez la ceinture de sécurité du bassin de façon à ce qu'elle soit positionnée comme sur le dessin ci-dessous, dans une zone de 30 à 75° par rapport à l'horizontal.
5. Pour le confort du patient, préférez le plus grand angle de la zone hachurée (préférez l'angle de 75° à l'angle des 30°).
6. Ajustez la ceinture de sécurité comme indiqué par le fabricant pour que celle-ci soit tendue tout en gardant le confort de l'utilisateur.
7. Assurez vous que les ceintures soient correctement fixées sans être pliées ou torsadées.
8. Vous pouvez installer à nouveau les accoudoirs si cela est nécessaire. Assurez vous que les ceintures ne sont pas coincées pas certaines parties du fauteuil comme les accoudoirs, les roues, etc.



LES CEINTURES NE DOIVENT PAS ÊTRE ÉLOIGNÉES DU CORPS PAR LES PARTIES COMME LES ACCOUDOIRS OU LES ROUES



LA CEINTURE PELVIENNE DOIT AVOIR UN CONTACT PARFAIT AVEC LE DEVANT DU CORPS DE L'UTILISATEUR.



2.5 Pliage/Dépliage



ATTENTION

Risque de blessures

N'insérez pas les doigts entre les éléments du fauteuil roulant.

2.5.1 Dépliage du fauteuil roulant

1. Placez-vous derrière le fauteuil roulant.
2. Utilisez les poignées pour ouvrir le fauteuil roulant autant que possible.
3. Placez-vous à l'avant du fauteuil roulant.
4. Poussez sur les deux tubes de l'assise vers le bas jusqu'à ce qu'ils soient fixés à leur place.

2.5.2 Pliage du fauteuil roulant

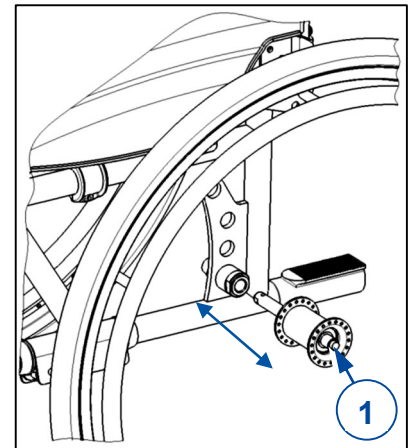
1. Pliez les palettes vers le haut ou démontez les repose-pieds (voir § 3.1).
2. Saisissez l'avant et l'arrière du siège et tirez vers le haut.

2.5.3 Montage des roues arrière

1. Prenez la roue arrière et poussez sur le bouton ①.
2. Maintenez le bouton enfoncé et montez l'essieu arrière jusqu'à ce qu'il soit bloqué.
3. Relâchez le bouton.
4. Vérifiez que la roue est bloquée.

2.5.4 Retrait des roues arrière

1. Vérifiez que les freins ne sont pas actionnés.
2. Placez-vous du côté du fauteuil roulant dont vous voulez retirer la roue.
3. Appuyez sur le bouton ① au centre du moyeu de roue.
4. Tirez la roue hors du châssis.



2.6 Entreposage



Assurez-vous que votre fauteuil roulant est entreposé dans un environnement sec pour éviter la formation de moisissure et l'endommagement du rembourrage, voir également le chapitre 5.

3 Utilisation de votre fauteuil roulant

⚠ AVERTISSEMENT Risque de blessures

- Lisez d'abord les chapitres précédents et informez-vous à propos de l'usage visé. N'utilisez PAS votre fauteuil roulant sans avoir d'abord lu et bien compris toutes les instructions.
- En cas de doutes ou de questions, n'hésitez pas à prendre contact avec votre revendeur local, votre prestataire de soins ou votre conseiller technique qui pourra vous aider.

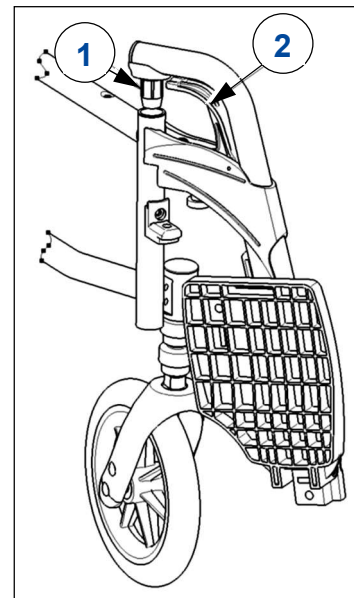
3.1 Placer ou enlever les repose-pieds

L'installation des repose-pieds se fait de la manière suivante :

1. Mettez les repose-pieds latéralement vers l'extérieur du cadre et montez les repose-pieds avec l'embout ① dans le cadre.
2. Tournez le repose-pied vers l'intérieur jusqu'à ce qu'il se bloque en position.
3. Tournez la palette vers le bas.

Vous devez procéder de la manière suivante pour enlever les repose-pieds :

1. Tirez sur le levier ②.
2. Basculez le repose-pied vers l'extérieur du fauteuil roulant jusqu'à ce qu'il ne soit plus fixé au système de guidage.
3. Tirez le repose-pied hors du logement de tube ①.

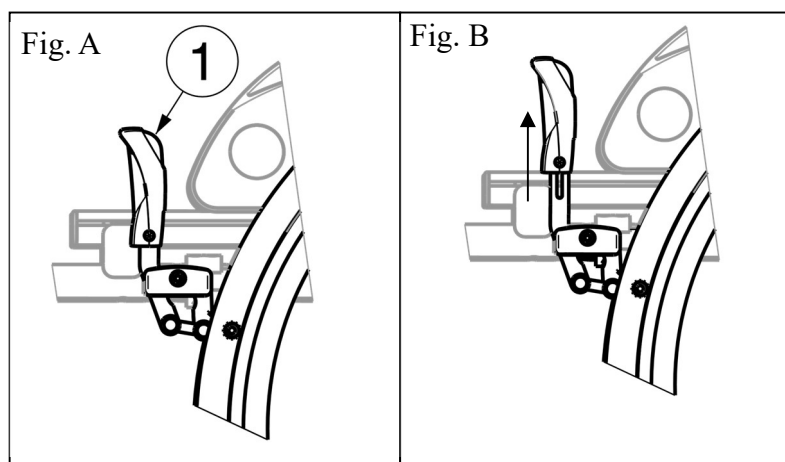


3.2 Utilisation des freins

⚠ ATTENTION Risque de blessures

- Les freins n'ont pas pour but de ralentir le fauteuil roulant lors de déplacements. Ne les utilisez que pour éviter des mouvements non souhaités.
- Le fonctionnement du freins à mains ont influencé par l'usure et les salissures des pneus (eau, huile, boue...). Vérifiez l'état des pneus avant chaque utilisation.
- Les freins sont réglables et sont sujets à l'usure. Vérifiez leur fonctionnement avant chaque utilisation.
- Vérifiez que le fauteuil roulant se trouve sur une surface horizontale plane avant de relâcher les freins. Ne désactivez jamais les deux freins en même temps.

Afin de réduire la force de freinage il est possible de d'étendre le levier de frein (Fig B).



Pour actionner les freins (Fig A) :

1. Tirez les leviers des freins vers l'avant jusqu'à ce que vous ressentiez un clic clair.

Pour relâcher les freins:

1. Désactivez d'abord un frein en tirant le levier vers l'arrière.
2. Maintenez avec votre main la main-courante de la roue relâchée.
3. Désactivez l'autre frein en tirant le levier vers l'arrière.

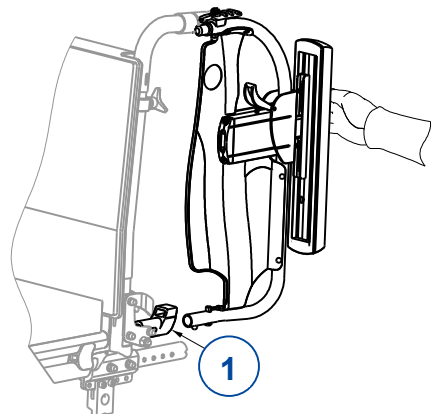
3.3 Montage ou retrait des accoudoirs


ATTENTION

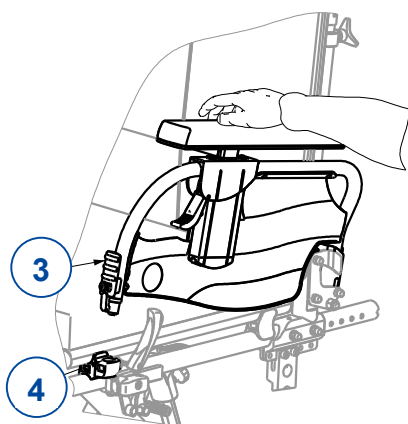
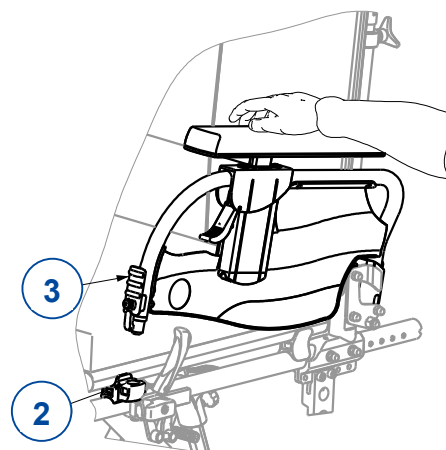
Risque de blessures

- Laissez les doigts, boucles et vêtements à l'écart du bas du repose-bras.

Les repose-bras du fauteuil roulant peuvent être montés en les instructions suivantes.



1. Montez le tube arrière de l'accoudoir dans le logement de tube (1).
2. Vérifiez que le support de bras se met bien en place dans le mécanisme de verrouillage.
3. Pliez l'accoudoir vers l'avant.
4. Verrouillez le tube avant de l'accoudoir dans le logement de tube (2).



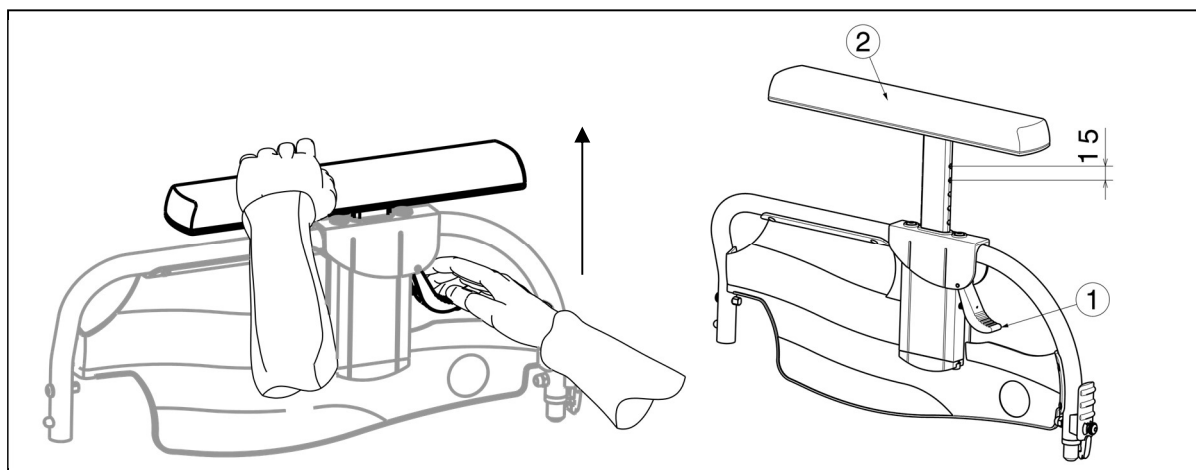
Pour ouvrir et retirer l'accoudoir:

1. Appuyez sur le levier (3) et tirez l'avant de l'accoudoir vers le haut.
2. Pliez l'accoudoir vers l'arrière.
3. Pour retirer l'accoudoir, appuyez sur le bouton (4) et tirez l'arrière du repose-bras hors du logement de tube (1).

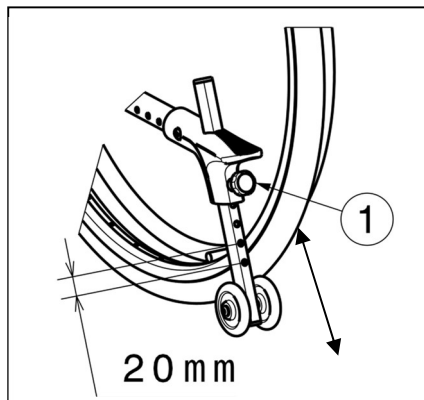
3.4 Réglage de la hauteur de l'accoudoir

La hauteur de l'accoudoir peut être réglée sur 8 positions (fourchette de 105 mm par palier de 15 mm) :

1. Poussez sur le levier ①.
2. Ajustez l'accoudoir ② jusqu'à la hauteur souhaitée.
3. Relâchez ① à nouveau le levier.
4. Contrôlez que la manchette ② est à nouveau bien fixée.



3.5 Réglage de l'anti-bascule



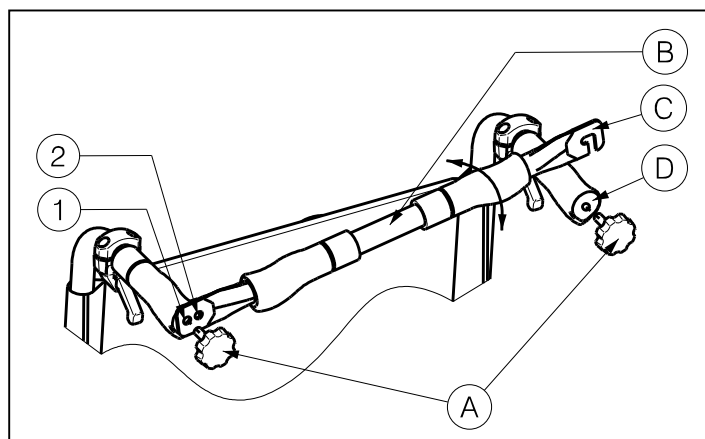
Réglez la hauteur de l'anti-bascule en 7 positions de la manière suivante (portée 120 mm: plages de 20 mm):

1. Détachez un peu le bouton croisillon ①.
2. Déplacez le tube de l'anti-bascule jusqu'à la hauteur souhaitée.
3. Serrez le bouton croisillon ① manuellement.
4. Vérifiez que l'anti-bascule soit fermement fixé.

3.6 Montage ou démontage de la barre de poussée

⚠ AVERTISSEMENT Risque de blessures

- Assurez-vous que les boutons ① sont correctement serrés.
- Si le fauteuil roulant dispose d'une barre du pousoir, elle doit toujours être montée afin d'augmenter la stabilité.



Pour monter la barre de poussée:

1. Fixez la barre du pousoir ② avec le bouton à croisillon ① sur la poignée de gauche.
2. Tournez la barre du pousoir ② vers la droite.
3. Fixez le crochet ③ sur la poignée de droite ④ comme indiqué sur le dessin. Utiliser les trous ① ou ② pour ajuster la tension du dossier.

Pour supprimer la barre de poussée:

1. Détachez la vis ① au niveau de la poignée droite.
2. Enlevez le crochet ③ de la poignée droite ④.

3.7 Hauteur de la poignée de poussée

Les poignées de poussée peuvent être réglées en continu sur une distance de 60 mm:

1. Desserrer la vis (1).
2. Déplacer la poignée vers le haut/le bas à la hauteur souhaitée.
3. Resserrer la vis (1).
4. Répétez pour l'autre poignée. Assurez-vous que les deux poignées sont bien fixées.



3.8 Transfert dans et hors du fauteuil roulant

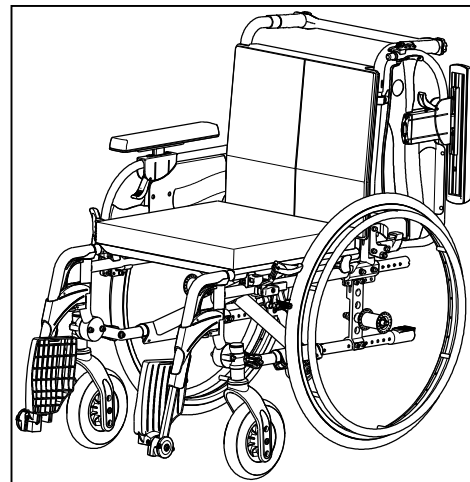


ATTENTION

Risque de blessures

- Si vous ne pouvez pas réaliser le transfert en toute sécurité, demandez à quelqu'un de vous aider.
- Ne vous levez pas sur les palettes.

1. Placez le fauteuil roulant aussi près que possible de la chaise, du canapé ou du lit concerné par le transfert.
2. Vérifiez que les deux freins du fauteuil roulant sont actionnés.
3. Pliez les palettes vers le haut pour éviter de prendre appui sur elles.
4. Si le transfert est réalisé sur le côté du fauteuil roulant, enlevez l'accoudoir de ce côté (voir § 3.3) et incliner le levier de frein vers le bas.
5. Procédez au transfert vers/depuis le fauteuil roulant.



3.8.1 Position correcte du fauteuil roulant

Recommandations pour une utilisation confortable du fauteuil roulant:

- Placez votre dos aussi proche que possible du dossier.
- Assurez-vous que vos cuisses soient horizontales. Réglez la longueur des repose-pieds si nécessaire (voir le manuel d'installation).

3.9 Déplacements avec le fauteuil roulant



ATTENTION

Risque de blessures et de dommages

- Avant tout usage, assurez-vous que :
 - les freins de stationnement fonctionnent correctement.
 - les pneus sont en bon état, voir § 4.
- Faites attention de ne pas vous coincer les doigts dans les rayons des roues.
- Ne tenez pas les poignées avec des mains mouillées.
- Faites attention de ne pas vous coincer les mains sur les mains courantes lorsque vous roulez dans des passages étroits.
- Ne roulez PAS sur des pentes, obstacles, marches ou bordures plus larges que la dimension décrite au § 5.
- Lorsque vous vous arrêtez sur une (petite) pente, utilisez vos freins.
- Assurez-vous que les quatre roues touchent le sol lorsque vous montez ou descendez une pente.
- Abordez les pentes aussi lentement que possible.
- Restez toujours sur le trottoir lorsque vous roulez sur la voie publique.
- Faites attention s'il y a des trous ou des fissures dans la route qui peuvent coincer les roues.
- Évitez les pierres et autres objets pouvant bloquer les roues.
- Assurez-vous que les palettes repose-pieds ne touchent pas le sol lorsque vous abordez un obstacle.
- N'utilisez pas votre fauteuil roulant sur un escalier mécanique.
- Si disponible, portez votre ceinture de sécurité.
- Tenez toujours compte de l'amplitude de la palette repose-pied pour ne pas blesser les personnes ou endommager les objets aux alentours.
- Si vous n'avez pas suffisamment d'expérience dans la conduite de votre fauteuil roulant, demandez l'aide d'un accompagnateur. Gardez vos mains à l'écart des roues et laissez vos pieds sur la palette repose-pieds.

- Les escaliers doivent toujours être franchis à l'aide de deux accompagnateurs.
- N'essayez jamais d'emprunter des escaliers qui ne sont pas appropriés pour les fauteuils roulants.

3.9.1 Rouler avec votre fauteuil roulant :

1. Relâchez les freins.
2. Saisissez les deux mains courantes à leur position la plus élevée.
3. Penchez-vous en avant et poussez les mains courantes vers l'avant jusqu'à ce que vos bras soient tendus.
4. Repassez vos mains vers le haut des mains courantes et répétez le mouvement.

3.9.2 Déplacements en pente

 **AVERTISSEMENT** Risque de blessures

- Déplacez-vous sur les pentes aussi lentement que possible.
- Si votre accompagnateur n'a pas assez de force pour contrôler le fauteuil roulant, actionnez les freins.
- Penchez-vous vers l'avant pour déplacer votre centre de gravité vers l'avant. Vous gagnerez ainsi en stabilité.



1. Si le fauteuil roulant est équipé d'une ceinture de sécurité, utilisez-la.
2. N'essayez pas de franchir des pentes trop difficiles. Les angles de pente maximum (montée et descente) sont indiqués dans le tableau 1.
3. Demandez à un assistant de vous aider à franchir une pente.
4. Penchez-vous vers l'avant pour déplacer votre centre de gravité vers l'avant.

3.9.3 Passage de marches ou de bordures de trottoirs

 **AVERTISSEMENT** Risque de blessures

- Si vous n'êtes pas assez expérimenté avec votre fauteuil roulant, demandez de l'aide à quelqu'un.

Descente de marches ou de bordures de trottoirs

Il est possible de descendre de petites bordures de trottoirs en avançant. Assurez-vous que le support de pied ne touchent pas le sol.



Un utilisateur entraîné peut franchir seul de petites marches ou bordures de trottoirs :

1. Mettez plus de poids sur les roues arrière pour réduire la pression sur les roues avant.
2. Franchissez les bordures de trottoirs.

Il est possible de franchir des bordures de trottoirs plus hautes avec un assistant :

1. Demandez à l'assistant d'incliner légèrement le fauteuil roulant vers l'arrière.
2. Franchissez les bordures de trottoirs en roulant sur les roues arrière.
3. Reposez le fauteuil roulant sur ses quatre roues.

Un utilisateur entraîné peut franchir seul des bordures de trottoirs plus hautes. L'idéal est de les franchir en marche arrière.



1. Tournez le fauteuil roulant, roues arrière face à la bordure de trottoir.
2. Penchez-vous vers l'avant pour déplacer votre centre de gravité vers l'avant.
3. Reculez près de la bordure de trottoir.
4. Utilisez la main-courante pour contrôler la descente de la bordure de trottoir.

Montée de marches ou de bordures de trottoirs

Montez des marches ou bordures de trottoirs avec un assistant de la manière suivante :



1. Le support de pied ne doivent pas toucher la bordure de trottoir.
2. Demandez à l'assistant d'incliner légèrement le fauteuil roulant vers l'arrière, juste assez pour placer les roues avant en haut de la bordure de trottoir.
3. Penchez-vous vers l'arrière pour déplacer votre centre de gravité au-dessus de la roue arrière.
4. Placez les roues avant sur la bordure de trottoir.
5. Montez la bordure du trottoir avec les roues arrière du fauteuil roulant.

Franchissez les bordures de trottoirs hautes en marche arrière:

1. Tournez le fauteuil roulant, roues arrière face à la bordure de trottoir.
2. Penchez-vous vers l'arrière et déplacez votre centre de gravité au-dessus de la roue arrière.
3. Demandez à l'assistant de tirer le fauteuil roulant sur la bordure de trottoir.
4. Reprenez votre position normale dans le fauteuil roulant.

Un utilisateur entraîné peut franchir seul des bordures de trottoirs.



1. Roulez jusqu'aux bordures de trottoirs.
2. Assurez-vous que le support de pied ne touchent pas les bordures de trottoirs.
3. Penchez-vous vers l'arrière pour déplacer votre centre de gravité vers les roues arrière.



4. Franchissez la bordure de trottoir avec les roues avant.
5. Penchez-vous vers l'avant pour plus de stabilité.
6. Franchissez la bordure de trottoir avec les roues arrière.

3.9.4 Passage d'escaliers



AVERTISSEMENT

Risque de blessures

- Toujours passer des escaliers avec 2 assistants.

Le passage d'escaliers en restant sur le fauteuil roulant doit toujours se faire dans le respect des règles suivantes :

1. Un assistant incline légèrement le fauteuil roulant vers l'arrière.
2. Le deuxième assistant attrape l'avant du châssis.
3. Restez calme, évitez les mouvements brusques et gardez les bras à l'intérieur du fauteuil roulant.
4. Passez les marches sur les roues arrière du fauteuil roulant.

4 Entretien

4.1 Points d'entretien

**ATTENTION**

Risque de blessures et de dommages

Les réparations et les remplacements ne peuvent être réalisés que par des personnes formées, et seules des pièces de remplacement d'origine de Vermeiren peuvent être utilisées.



La fréquence d'entretien dépend de la fréquence et de l'intensité de l'utilisation. Prenez contact avec votre commerçant pour convenir d'un rendez-vous pour une inspection/un entretien/une réparation.

Le mode d'entretien se trouve sur le site Internet de Vermeiren : www.vermeiren.com.

Avant chaque utilisation

Inspectez les points suivants :

- Toutes les pièces : Présentes et sans dommage ni usure.
- Toutes les pièces : Propres, voir § 4.2.2.
- Roues, dossier, siège, repose-jambes, accoudoirs, palettes repose-pieds : Bien serrés.
- État des roues/pneus, voir § 4.2.1.
- État des pièces du cadre : Pas de déformation, d'instabilité, de faiblesse ou de connexions desserrées.
- Siège, dossier, manchettes, repose-jambes et appuie-tête (si applicable) : Pas d'usure excessive (bosses, dommages ou déchirures).
- Freins : Non endommagés et fonctionnant.

Contactez votre commerçant spécialisé pour les réparations et les remplacements de pièces éventuels.

Chaque année ou plus souvent

Faites inspecter et entretenir votre fauteuil roulant par votre revendeur spécialisé au moins une fois par an, ou plus. La fréquence d'entretien minimale dépend de l'usage et doit être déterminée de commun accord avec votre commerçant spécialisé.

4.2 Instructions d'entretien

4.2.1 Roues et pneus



Un fonctionnement correct des freins dépend de l'état des pneus, qui peut changer en raison de l'usure et de la contamination (eau, huile, boue...).

Éliminez les fils, cheveux, le sable et les fibres de vos roues.

Vérifiez le profil des pneus. Si la profondeur de la sculpture est inférieure à 1 mm, les pneus doivent être remplacés. Prenez contact avec votre revendeur spécialisé à ce propos.

Gonflez chaque pneu à la pression adéquate (cf. les indications de pression sur les pneus).

4.2.2 Nettoyage

ATTENTION

Risque de dommages dus à l'humidité

- N'utilisez jamais un tuyau ou un nettoyeur à haute pression pour nettoyer le fauteuil roulant.

Essuyez toutes les parties rigides du fauteuil roulant avec un chiffon humide (pas détrempé). Si nécessaire, utilisez un savon doux, approprié pour les laques et les synthétiques.

Le rembourrage peut être nettoyé à l'eau tiède additionnée de savon doux. N'utilisez pas de produits de nettoyage abrasifs.

4.2.3 Désinfection

ATTENTION

Risque de dommages

- La désinfection ne peut être réalisée que par des personnes qualifiées. Renseignez-vous auprès de votre revendeur spécialisé à cet égard.

4.3 Résolution des problèmes

Même si vous utilisez votre fauteuil roulant de façon appropriée, les problèmes techniques ne sont pas exclus. Dans ce cas, contactez votre local revendeur spécialisé.



AVERTISSEMENT

Risque de blessures et de dommages au fauteuil roulant

- Ne réparez JAMAIS votre fauteuil roulant vous-même pour tenter de résoudre le problème.

Les symptômes suivants peuvent indiquer un problème grave. Par conséquent, prenez toujours contact avec votre revendeur spécialisé si vous détectez l'une des anomalies suivantes :

- Bruit anormal ;
- Usure inégale sur la sculpture de l'un des pneus ;
- Mouvements saccadés ;
- Le fauteuil roulant dévie d'un côté ;
- Ensembles de roues endommagés ou cassés.

4.4 Durée de vie attendue

La durée de vie moyenne de votre fauteuil roulant est de 5 ans. Selon la fréquence d'utilisation, les circonstances de conduite et d'entretien, la durée de vie de votre fauteuil roulant augmentera ou diminuera.

4.5 Réutilisation

Avant chaque réutilisation, faites désinfecter, inspecter et entretenir le fauteuil roulant conformément aux instructions du §4.1 et du §4.2.

4.6 Mise au rebut

À la fin de sa durée de vie, votre fauteuil roulant doit être évacué conformément à la législation environnementale locale. Il est recommandé de démonter le fauteuil roulant afin de faciliter le transport des matériaux recyclables.

5 Spécifications techniques

Les indications techniques ci-dessous sont valides pour le fauteuil roulant avec ses réglages standard. En cas d'utilisation d'autres repose-pieds/accoudoirs ou autres accessoires, les valeurs indiquées sont modifiées.

Marque	Vermeiren
Type	Fauteuil roulant
Modèle	V300DL
Poids max. du patient	130 kg

Description	Dimensions minimums			Dimensions maximums		
Longueur totale avec repose-pied	1000 - 1040 mm					
Largeur d'assise efficace	390 mm	420 mm	440 mm	460 mm	480 mm	500 mm
Largeur totale (en fonction de la largeur d'assise)	600 mm	630 mm	650 mm	670 mm	690 mm	710 mm
Longueur plié sans repose-pieds	810 mm					
Largeur pliée	320 mm					
Hauteur plié (en fonction de la hauteur d'assise)	890 mm - 990 mm					
Masse totale	18,8 kg					
Masse de la partie la plus lourde	11 kg					
Des masses de pièces qui peuvent être démontés ou retirées	Repose-pieds : 1,70 kg; Accoudoirs : 2,20 kg; Roues arrières : 3,7 kg					
Stabilité statique en descente	10° (en configuration standard)					
Stabilité statique en montée	7° (en configuration standard)					
Stabilité statique latérale	18° (en configuration standard)					
Passage d'obstacle	60 mm					
Angle du plan d'assise	0°			10°		
Profondeur d'assise efficace	440 mm			520 mm		
Hauteur de la surface d'assise sur le bord avant	440 mm			530 mm		
Angle du dossier	5°					
Hauteur du dossier	420 mm					
Distance entre le repose-pied et le siège	330 mm			500 mm		
Angle entre la palette et le siège	5°			25°		
Angle entre le jambe de repose-pied et le siège	105°					
Angle entre le jambe de repose-pied et la palette	80°					
Distance entre la manchette et le siège	195 mm			300 mm		
Emplacement avant des manchettes	335 mm			455 mm		
Diamètre de la main-courante	535 mm					
Emplacement horizontal de l'essieu (flèche)	1,27 mm			61,04 mm		
Diamètre de braquage minimum	1500 mm					
Diamètre des roues arrières PU	22"			24"		
Pression des pneus, roues arrière (motrices)	Max. 3,5 bar					



Diamètre des roues directrices PU	200 mm	
Pression des pneus, roues directrices	Max. 2,5 bar	
Matériau du cadre	Aluminium	
Matériau du rembourrage	Nylon	
Température de stockage et d'utilisation	+ 5 °C	+ 41 °C
Humidité de stockage et d'utilisation	30%	70%
Nous nous réservons le droit d'apporter des modifications techniques. Tolérance de mesures \pm 15 mm / 1,5 kg / 1,5°.		

Inhoud

Inhoud	1
Voorwoord	2
1 Uw product	3
1.1 Accessoires	3
2 Voor gebruik	4
2.1 Beoogd gebruik	4
2.2 Algemene veiligheidsmaatregelen	4
2.3 Symbolen op de rolstoel	4
2.4 Transport	5
2.5 Opvouwen/Ontvouwen	7
2.6 Opslag	7
3 Uw rolstoel gebruiken	8
3.1 Voetsteunen plaatsen of verwijderen	8
3.2 De remmen bedienen	8
3.3 De armsteunen plaatsen of verwijderen	9
3.4 De hoogte van de armsteun afstellen	9
3.5 De anti-tipping verstellen	10
3.6 De duwstang plaatsen of verwijderen	10
3.7 Handvathoogte	10
3.8 Transfer in en uit de rolstoel	11
3.9 Rijden met de rolstoel	11
4 Onderhoud	14
4.1 Tijdstippen voor onderhoud	14
4.2 Onderhoudsinstructies	14
4.3 Probleemoplossing	15
4.4 Verwachte levensduur	15
4.5 Hergebruik	15
4.6 Beëindiging van gebruik	15
5 Technische specificaties	16

Voorwoord

Proficiat! u bent eigenaar van een Vermeiren-rolstoel!

Deze rolstoel werd vervaardigd door gekwalificeerd en toegewijd personeel. Hij werd ontworpen en geproduceerd volgens hoge kwaliteitsnormen, bewaakt door Vermeiren.

Bedankt voor uw vertrouwen in de producten van Vermeiren. Om u te ondersteunen bij het gebruik van deze rolstoel en zijn bedieningsmogelijkheden, bieden we u deze handleiding aan. Lees deze informatie zorgvuldig door: het zal u helpen om vertrouwd te raken met de besturing, mogelijkheden en beperkingen van uw rolstoel.

Indien u na het lezen van deze handleiding nog vragen heeft, aarzel dan niet om contact op te nemen met uw vakhandelaar. Hij/Zij zal u met plezier verder helpen.

Belangrijke opmerking

Om uw veiligheid te garanderen, en om de levensduur van uw product te verlengen, raden we u aan om er goed zorg voor te dragen en om regelmatig nazicht en onderhoud te laten uitvoeren.

Deze handleiding houdt rekening met de recentste productontwikkelingen. De Firma Vermeiren behoudt zich het recht voor om wijzigingen aan dit type product door te voeren zonder verplicht te zijn om voordien geleverde producten aan te passen of te vervangen.

Afbeeldingen van het product worden gebruikt om de instructies in deze handleiding te verduidelijken. Details van het afgebeelde product kunnen afwijken van uw aangekochte product.

Beschikbare informatie

Op onze website <http://www.vermeiren.com/> kan u steeds de meest recente versie terugvinden van de informatie in deze handleiding. Contacteer deze website regelmatig voor mogelijke updates.

Mensen met een visuele beperking kunnen de elektronische versie van deze handleiding downloaden en laten voorlezen door een tekst-naar-spraak programma.



Gebruiksaanwijzing

Voor de gebruiker en vakhandelaar



Installatiehandleiding

Voor de vakhandelaar



Onderhoudshandleiding voor rolstoelen

Voor de vakhandelaar



EC-conformiteitsverklaring

1 Uw product



1. Handgrepen
2. Duwstang
3. Sterknop voor handvathoogte
4. Rug
5. Armleggers
6. Armsteunen
7. Zit
8. Voetsteunen
9. Voetplaten
10. Stuurwielen (voorwielen)
11. Remmen
12. Aandrijfwielen (achterwielen)
13. Aandrijfhoepels
14. Trapdop
15. Anti-tipping
16. Kruis
17. Identificatieplaat

1.1 Accessoires

Volgende accessoires zijn beschikbaar voor de V300DL:

- Anterior bekkengordel (B20)
- Tafels
- Krukkenhouder

2 Voor gebruik

2.1 Beoogd gebruik

- Indicaties en contra-indicaties: De gebruiker kan de rolstoel zelf voortbewegen of laten duwen door een begeleider. De rolstoel is bedoeld voor oudere personen of mensen die moeilijk of niet kunnen lopen, onder andere door verlamming, verlies van ledematen, defect of aandoeningen van ledematen, contracturen of gewrichtsaandoeningen, hart- en bloedsomloopinsufficiëntie, evenwichtsstoornissen, cachexie (afname van het spierweefsel), ... Gebruik deze rolstoel NIET indien u lijdt aan psychische of mentale beperkingen waardoor u uzelf of andere mensen in gevaar kan brengen bij het rijden. Consulteer daarom eerst uw dokter, en informeer uw vakhandelaar over zijn/haar advies.
- Deze rolstoel is geschikt voor gebruik binnen en buiten.
- Deze rolstoel is uitsluitend ontworpen voor het vervoer/transfer van één (1) persoon met een maximumgewicht van 130 kg. Het is niet bedoeld om goederen of objecten te vervoeren, noch voor enig ander gebruik dan hiervoor beschreven.
- Gebruik enkel accessoires en reserveonderdelen die werden goedgekeurd door Vermeiren.
- Lees eerst alle technische details en limieten van uw rolstoel in hoofdstuk 5.
- De garantie op dit product is gebaseerd op normaal gebruik en onderhoud zoals beschreven in deze handleiding. De garantie vervalt bij schade die werd veroorzaakt door verkeerd gebruik of gebrek aan onderhoud.

2.2 Algemene veiligheidsmaatregelen

 **VOORZICHTIG** Gevaar voor letsel en/of beschadiging

Lees de instructies in deze handleiding en volg ze nauwkeurig op. Zo niet, kan dit leiden tot lichamelijk letsel of beschadiging aan uw rolstoel.





Houd rekening met de volgende algemene waarschuwingen tijdens het gebruik:

- Gebruik de rolstoel niet indien u onder invloed bent van alcohol, medicijnen of andere substanties die uw rijvermogen verminderen.
- Houd er rekening mee dat sommige onderdelen van uw rolstoel zeer warm of koud kunnen worden door omgevingstemperatuur, de zon of verwarmingstoestellen. Wees daarom voorzichtig bij het aanraken. Draag beschermende kleding bij koud weer. Bij buitengebruik kunnen rijhandschoenen de grip op de aandrijfhoepels verbeteren.
- Wijzig uw rolstoel op geen enkele manier.

Houd er rekening mee dat uw rolstoel, afhankelijk van de gebruikte instelling, bij sommige diefstalsystemen interferentie kan geven. Hierdoor kan het winkelalarm in werking gesteld worden.

Indien zich een ernstig incident heeft voorgedaan met uw product, breng dan Vermeiren of uw gespecialiseerde dealer op de hoogte, evenals de bevoegde autoriteit in uw land.

2.3 Symbolen op de rolstoel

	Maximum gewicht van de gebruiker in kg
	Gebruik voor binnen en buiten
	Maximale veilige helling in ° (graden)
	Type aanduiding

2.4 Transport

2.4.1 Transport in een voertuig, als bagage

 **WAARSCHUWING** Gevaar voor letsel

- Zorg ervoor dat de rolstoel voldoende vastgemaakt is, om verwonding van de inzittenden tijdens aanrijding of plots remmen te voorkomen.
 - Gebruik voor het vastmaken van de rolstoel en de passagiers NOOIT dezelfde gordel.
1. Verwijder de voetsteunen, armsteunen en accessoires.
 2. Berg de voetsteunen, armsteunen en accessoires veilig op.
 3. Indien mogelijk, vouw de rolstoel op en verwijder de achterwielen.
 4. Plaats de rolstoel in de bagageruimte.
 5. Indien de rolstoel en de passagiersruimte NIET gescheiden zijn, sjoer het frame van de rolstoel goed vast aan het voertuig. U kunt hiervoor gebruik maken van de veiligheidsgordels die in het voertuig voorhanden zijn.

2.4.2 Gebruik van de rolstoel als zit in een motorvoertuig

 **WAARSCHUWING** Gevaar voor letsel

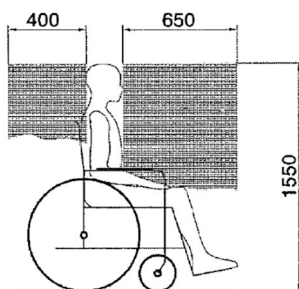
- De rolstoel heeft de crashtest volgens ISO 7176-19: 2008 doorstaan en is zodanig ontworpen en getest om alleen te worden gebruikt als een naar voren gerichte zit in een motorvoertuig.
- Gebruik de bekkengordel van de rolstoel niet als riem voor inzittenden, deze is hiervoor niet geschikt.

De rolstoel is getest met een vierpunts rolstoelvastzetsysteem en een driepunts veiligheidssysteem voor inzittenden.

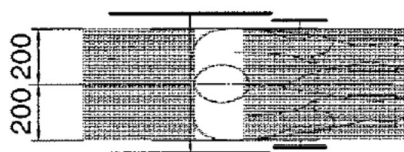
Probeer zoveel mogelijk gebruik te maken van de zetel van het voertuig en de rolstoel te bewaren in de laadruimte.

Procedure om de rolstoel vast te maken aan het voertuig:

1. Controleer of het voertuig is uitgerust met een geschikt rolstoel vastzetsysteem en een veiligheidssysteem voor inzittenden volgens ISO 10542.
2. Controleer dat de onderdelen van het rolstoel vastzetsysteem en het veiligheidssysteem voor inzittenden niet versleten, vervuild, beschadigd of gebroken zijn.
3. Indien uitgerust met een verstelbare zit en/of een kantelbare rug, controleer of de rolstoelgebruiker zo recht mogelijk zit. Als de toestand van de gebruiker dit niet toe laat, moet een risicoanalyse worden uitgevoerd om de veiligheid van de gebruiker tijdens transport te evalueren.
4. Verwijder alle gemonteerde accessoires zoals dienbladen en beademingsapparatuur en zet ze op een veilige plaats.
5. Positioneer de rolstoel naar voren in de rijrichting, centraal tussen de vastzet rails die zijn vastgemaakt in de vloer van het voertuig.
6. Zorg ervoor dat de aangegeven zones rond de rolstoelgebruiker vrij zijn van vaste onderdelen van het voertuig.

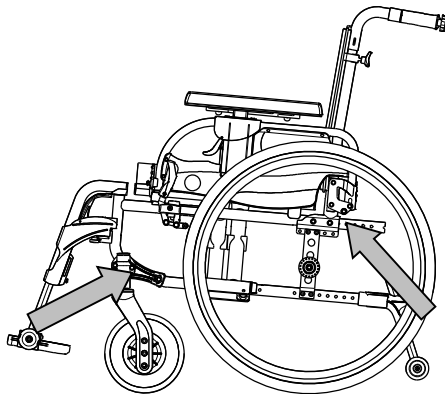


Figuur 1



Figuur 2

7. Maak de voorste veiligheidsgordels vast volgens de instructies van het op de aangegeven plaats riem-systeem van de fabrikant (figuur 3). Deze plaats is gemarkeerd op de rolstoel door een symbool (figuur 4).
8. Rol de rolstoel naar achteren tot de voorste gordels strak zijn.
9. Activeer de remmen van de rolstoel.
10. Maak de achterste veiligheidsgordels vast volgens de instructies van het op de aangegeven plaats riem-systeem van de fabrikant (figuur 3). Deze plaats is gemarkeerd op de rolstoel door een symbool (figuur 4).



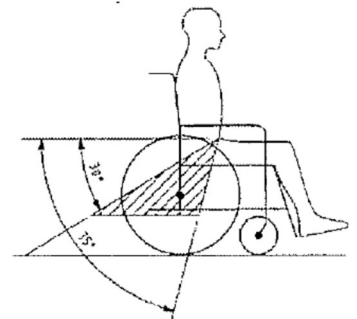
Figuur 3



Figuur 4

Procedure om de rolstoelgebruiker vast te maken:

1. Verwijder beide armsteunen.
2. Indien aanwezig, bevestig de rolstoel bekkengordel.
3. Bevestig het veiligheidssysteem voor inzittenden volgens de instructies van het riem-systeem van de fabrikant.
4. Draag de bekkengordel laag over de voorkant van de bekken, zodat de hoek van de bekkengordel binnen de gewenste zone van 30° tot 75° met de horizontale is, analoog zoals hieronder aangegeven
5. Een steilere (grotere) hoek binnen de gewenste zone is wenselijk.
6. Trek de riem strak aan volgens de instructies van het riem-systeem van de fabrikant en in overeenstemming met het comfort van de gebruiker.
7. Zorg ervoor dat de veiligheidsriem verbonden wordt in een rechte lijn aan het ankerpunt van het voertuig en dat er geen bochten in de riem zichtbaar zijn, bijvoorbeeld op de as van het achterwiel.
8. Installeer de armsteunen indien gewenst. Zorg ervoor dat de gordels niet gedraaid zijn of weggehouden worden van het lichaam door rolstoel onderdelen zoals armsteunen of wielen.



DE BEKKENGORDEL MOET VOLLEDIG CONTACT MAKEN MET DE VOORKANT VAN HET LICHAAM VLAKBIJ DE KRUISING VAN DE DIJ EN HET BEKKEN.



GORDELS MOGEN NIET WEGGEHOUDEN WORDEN VAN HET LICHAAM DOOR ROLSTOEL ONDERDELEN ZOALS ARMSTEUNEN OF WIELEN.



2.5 Opvouwen/Ontvouwen



VOORZICHTIG

Gevaar voor letsel

Houd uw vingers weg van de bewegende onderdelen van de rolstoel.

2.5.1 De rolstoel ontvouwen

1. Ga aan de achterzijde van de rolstoel staan.
2. Gebruik de handgrepen om de rolstoel zo ver mogelijk te openen.
3. Ga aan de voorzijde van de rolstoel staan.
4. Duw beide buizen waaraan de zit bevestigd is verder naar beneden.

2.5.2 De rolstoel opvouwen

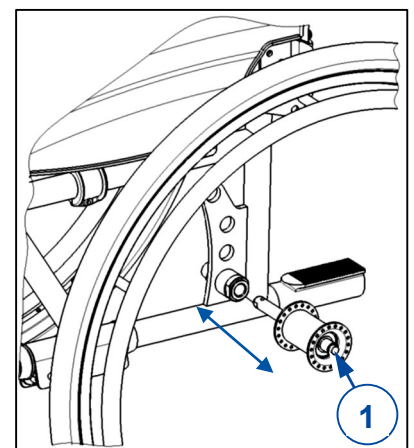
1. Klap de voetplaten omhoog, of verwijder de voetsteunen (zie § 3.1).
2. Neem de zit aan de voor- en achterzijde vast en trek deze naar boven.

2.5.3 De achterwielen monteren

1. Neem het achterwiel en druk naafknop ① in.
2. Houd de naafknop ingedrukt en plaats het achterwiel in de asbus tot deze niet meer verder kan.
3. Laat de naafknop los.
4. Kijk na of het wiel goed vastzit.

2.5.4 De achterwielen demonteren

1. Zorg ervoor dat de remmen afstaan.
2. Neem de rolstoel vast aan het frame aan de zijde waar u het wiel wil afnemen.
3. Druk op de knop ① in het midden van de naaf van het wiel.
4. Trek het wiel van het frame weg.



2.6 Opslag



Zorg ervoor dat uw rolstoel droog wordt bewaard om schimmel of schade aan de bekleding te voorkomen, zie hoofdstuk 5.

3 Uw rolstoel gebruiken

⚠ WAARSCHUWING Gevaar voor letsel

- Lees eerst de voorgaande hoofdstukken en informeer uzelf over het beoogde gebruik. Gebruik uw rolstoel NIET voordat u alle instructies gelezen en begrepen heeft.
- Als u nog vragen heeft of als u ergens aan twijfelt, aarzel dan niet om contact op te nemen met uw lokale vakhandelaar, zorgverlener, of technisch adviseur om u te helpen.

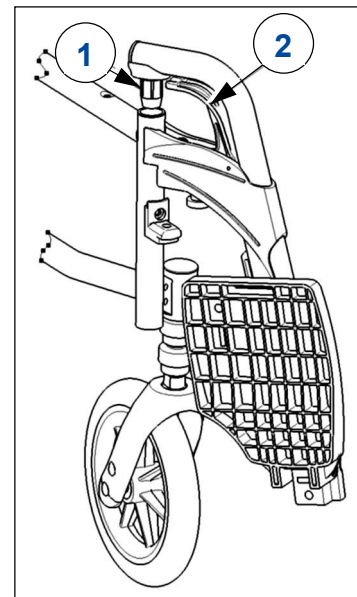
3.1 Voetsteunen plaatsen of verwijderen

Het plaatsen van de voetsteunen gaat als volgt:

1. Houd de voetsteun zijdelings aan de buitenkant van het frame van de rolstoel en monteer de voetsteun met de dop (1) in het frame.
2. Zwenk de voetsteun naar binnen tot deze vastklikt.
3. Vouw de voetplaat naar beneden.

Om de voetsteunen te verwijderen gaat u als volgt te werk:

1. Trek aan de hendel (2).
2. Draai de voetsteun naar buiten tot deze uit de geleiding komt.
3. Trek de voetsteun omhoog uit dop (1).

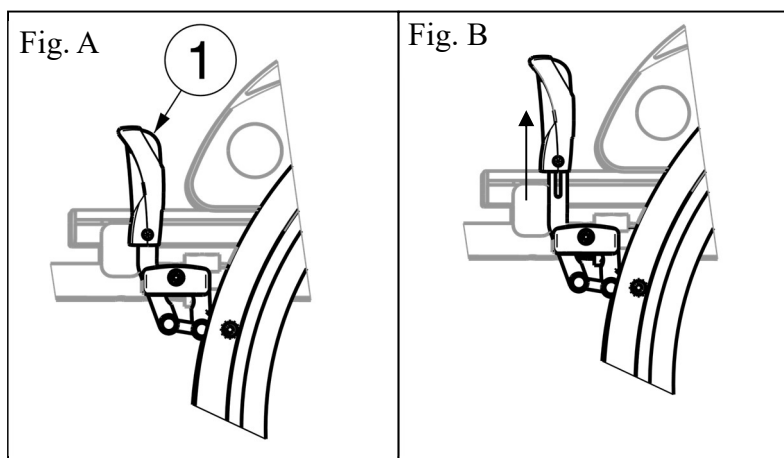


3.2 De remmen bedienen

⚠ VOORZICHTIG Gevaar voor letsel

- De remmen dienen niet om af te remmen tijdens het rijden. Gebruik de rem enkel om te vermijden dat de rolstoel in stilstaande positie weggolt.
- De werking van de handremmen worden beïnvloed door slijtage en vervuiling van de banden (water, olie, slijk, ...). Controleer voor elk gebruik de staat van de banden.
- De remmen zijn instelbaar en kunnen verouderen. Controleer voor elk gebruik de goede werking van de remmen.
- Zorg ervoor dat alvorens de remmen los te zetten, de rolstoel vlak staat. Los nooit beide remmen tegelijk.

Om de remkracht te verminderen kan u de remhendel verlengen (Fig B).



Om de remmen in te schakelen (Fig. A):

1. Trek de remhendels naar voren tot u een duidelijke klik voelt.

Om de remmen los te zetten:

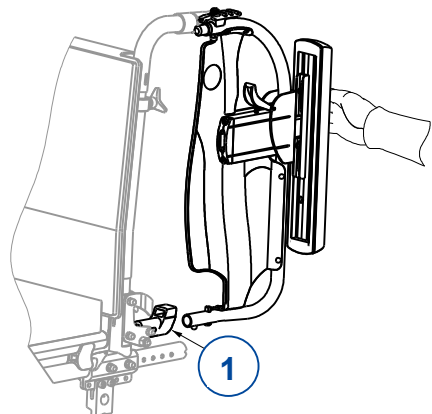
1. Zet eerst één rem los door de hendel naar achteren te trekken.
2. Houd het ongeremde wiel, met uw hand, vast aan de grijphoepel.
3. Los de andere rem door de hendel naar achteren te trekken.

3.3 De armsteunen plaatsen of verwijderen

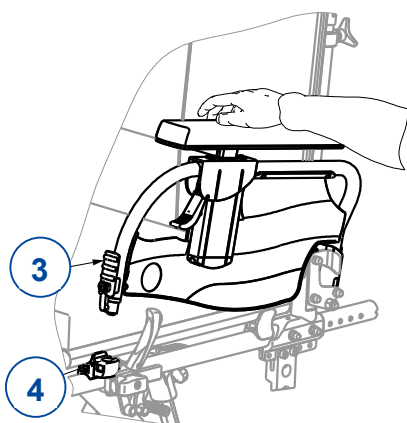
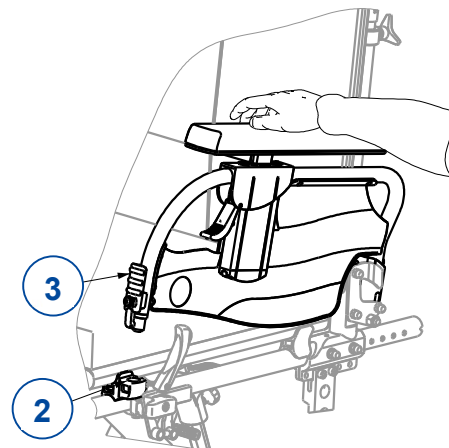
VOORZICHTIG Gevaar voor letsel

- Houdt vingers, gespen en kledingstukken weg van de onderkant van de armsteun.

De armsteunen van de rolstoel kunnen worden gemonteerd met volgende instructies.



1. Plaats de achterzijde van de armsteun in dop (1).
2. Zorg ervoor dat de armsteun vastklikt in het systeem.
3. Kantel de armsteun naar voor.
4. Plaats de voorzijde van de armsteun in dop (2) tot deze vastklikt.



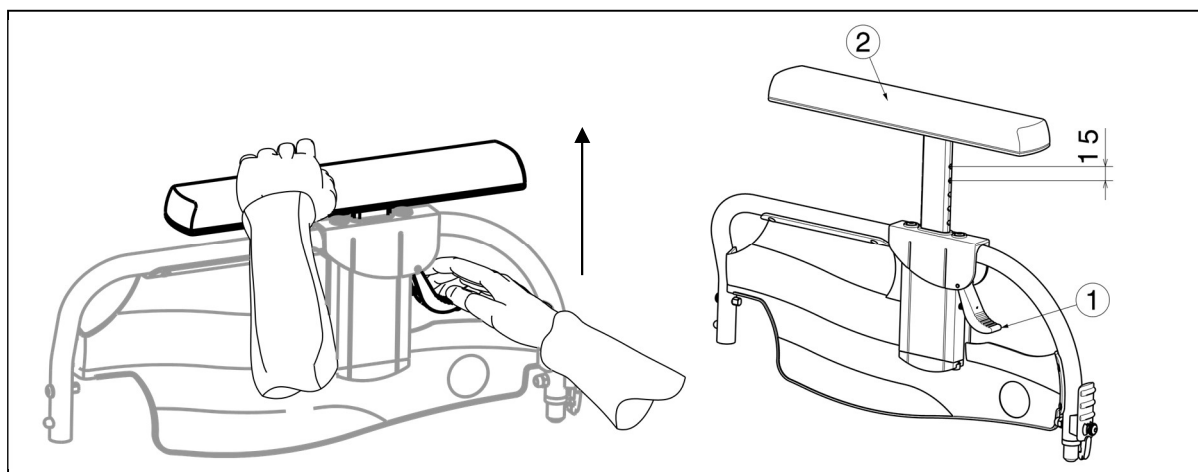
Om de armsteun te openen en af te nemen:

1. Druk op knop (3) en trek de voorzijde van de armsteun omhoog.
2. Klap de armsteun naar achter.
3. Als u de armsteun wilt verwijderen, druk dan op knop (4) en trek de achterzijde van de armsteun uit dop (1).

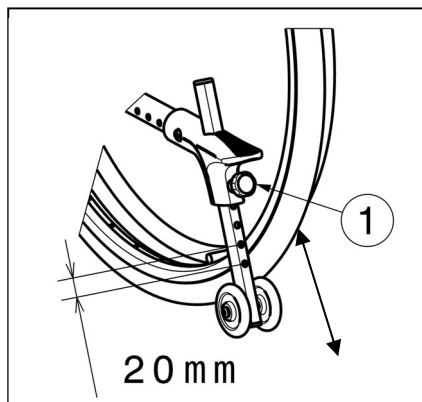
3.4 De hoogte van de armsteun afstellen

De hoogte van de armsteun kan in 8 verschillende posities worden ingesteld (bereik 105 mm in stappen van 15 mm):

1. Duw op de hendel ①.
2. Verstel de armlegger ② in de gewenste hoogte.
3. Laat de hendel ① terug los.
4. Controleer of de armlegger ② terug goed is vastgemaakt.



3.5 De anti-tipping verstellen



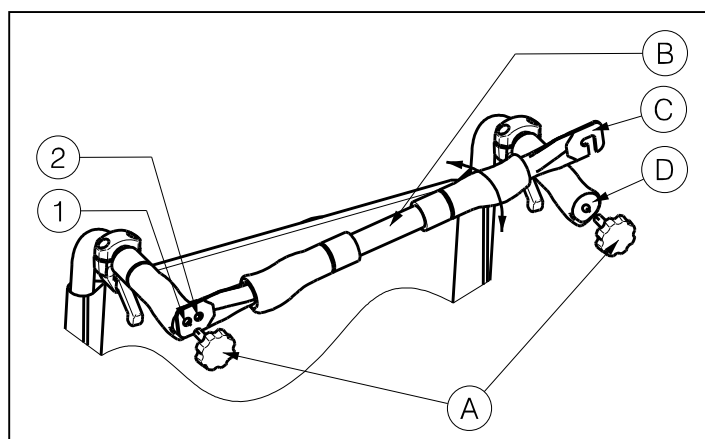
Verstel de hoogte van de anti-tipping in 7 posities als volgt (bereik 120 mm: stappen van 20 mm):

1. Draai de sterknop (1) een beetje los.
2. Beweeg de buis van de anti-tipping in de gewenste hoogte.
3. Draai de sterknop (1) handvast aan.
4. Controleer dat de anti-tipping goed is vastgemaakt.

3.6 De duwstang plaatsen of verwijderen

WAARSCHUWING Gevaar voor letsel

- Zorg ervoor dat de knoppen **A** terug goed zijn vastgemaakt.
- Als de rolstoel over een duwstang beschikt, dient deze altijd gemonteerd te zijn ter verhoging van de stabiliteit.



Om de duwstang te monteren:

1. Monteer de duwstang **B** in de linkse handgreep met behulp van de sterknop **A**.
2. Draai de duwstang **B** naar de rechterkant.
3. Monteer de haak **C** over de rechte handgreep **D** zoals aangegeven in de figuur. Gebruik de boringen **1** of **2** om de spanning van de rug in te stellen.

Om de duwstang te verwijderen:

1. Maak de sterknop **A** aan de rechtse handgreep los.
2. Verwijder de haak **C** van de rechtse handgreep **D**.

3.7 Handvathoogte

De handvatten kunnen traploos veresteld worden over een afstand van 60 mm:

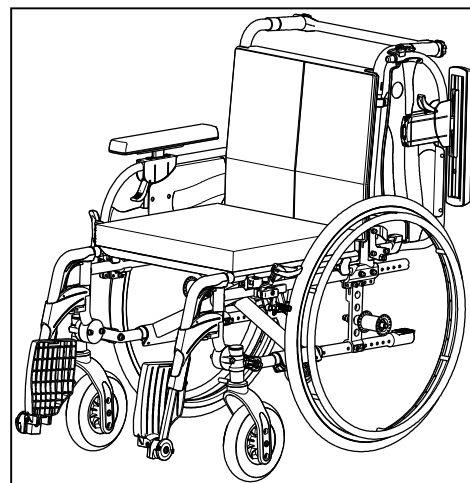
1. Zet de schroef (1) los.
2. Beweeg het handvat omhoog/omlaag tot de gewenste hoogte.
3. Draai de schroef (1) terug goed vast.
4. Herhaal voor het andere handvat. Zorg ervoor dat beide handvatten stevig zijn vastgezet.



3.8 Transfer in en uit de rolstoel

 **VOORZICHTIG** Gevaar voor letsel

- Indien u de transfer niet veilig op eigen kracht kan uitvoeren, vraag dan hulp van iemand anders.
 - Niet op de voetplaten gaan staan.
1. Plaats de rolstoel zo dicht mogelijk bij de stoel, zetel of bed van/naar waar u zich wilt verplaatsen.
 2. Zorg dat beide remmen van de rolstoel aan staan.
 3. Vouw de voetplaten naar boven zodat u er niet op gaat staan.
 4. Indien u zich langs de zijkant in of uit de rolstoel wilt verplaatsen, verwijder dan de armsteun aan die zijde (zie § 3.3) en kantel de remhendel naar beneden.
 5. Verplaats u van of naar de rolstoel.



3.8.1 Correcte positie in de rolstoel

Enkele aanbevelingen om comfortabel van uw rolstoel gebruik te maken:

- Plaats uw zitvlak zo dicht mogelijk bij de rug.
- Zorg dat uw bovenbenen horizontaal zijn. Stel eventueel de lengte van de voetsteunen bij (zie installatiehandleiding).

3.9 Rijden met de rolstoel

 **VOORZICHTIG** Gevaar voor letsel of beschadiging

- Voor gebruik, zorg ervoor dat:
 - de parkeerremmen goed werken.
 - de remmen in goede staat zijn, hoofdstuk 4.
- Vermijd dat uw vingers gekneld raken tussen de wielspaken.
- Bedien de aandrijfhoepels niet met natte handen.
- Vermijd dat uw handen gekneld raken tussen de aandrijfhoepels wanneer u door smalle doorgangen rijdt.
- Rijd NIET op hellingen, hindernissen, treden of stoepranden die groter zijn dan beschreven in hoofdstuk 5.
- Wanneer u stopt op een (kleine) helling, gebruik dan de remmen.
- Zorg ervoor dat alle vier wielen de grond raken wanneer u op of af een helling rijdt.
- Neem hellingen zo traag mogelijk.
- Blijf altijd op het voetpad wanneer u op de openbare weg rijdt.
- Pas op als de weg gaten of spleten heeft waardoor de wielen kunnen vastlopen.
- Vermijd stenen en andere objecten die de wielen kunnen blokkeren.
- Zorg ervoor dat de voetplaten de grond niet raken bij het nemen van een obstakel.
- Gebruik uw rolstoel niet op roltrappen.
- Indien beschikbaar, bevestig uw veiligheidsgordel.
- Houd steeds rekening met de draaicirkel van de voetplaat om te voorkomen dat voorbijgangers verwond raken, of dat objecten beschadigd raken.
- Indien u niet voldoende ervaring heeft om met uw rolstoel te rijden, vraag dan hulp aan een begeleider. Houd dan uw armen uit de buurt van de wielen, en uw voeten op de voetplaat.
- Trappen mogen enkel genomen worden met behulp van twee begeleiders.
- Neem geen trappen die ongepast zijn voor rolstoelen.

3.9.1 Rijden met uw rolstoel:

1. Zet de remmen los.
2. Neem de aandrijfhoepels aan de bovenzijde vast.
3. Leun voorwaarts en duw de hoepels naar voor tot uw armen gestrekt zijn.
4. Neem de aandrijfhoepels weer aan de bovenzijde vast en herhaal de beweging.

3.9.2 Rijden op hellingen

 **WAARSCHUWING** Gevaar voor letsel

- Neem hellingen steeds met de laagst mogelijke snelheid.
- Blokkeer de rem van zodra u merkt dat uw begeleider onvoldoende kracht heeft om de rolstoel onder controle te houden.
- Leun voorover om uw zwaartepunt naar voor te verplaatsen. Zo kan de stabiliteit beter behouden blijven.



1. Bevestig de veiligheidsgordel, als de rolstoel hiermee uitgerust is.
2. Neem geen te steile helling. De maximale hoek bergop en bergaf staat in tabel 1.
3. Vraag een begeleider om u te helpen de helling te nemen.
4. Buig lichtjes voorover om uw zwaartepunt naar voren te verplaatsen.

3.9.3 Nemen van hindernissen (trottoirs)

 **WAARSCHUWING** Gevaar voor letsel

- Indien u uw rolstoel onvoldoende beheerst, vraag hulp van een begeleider.

Afrijden van trottoirs

Het afrijden van een laag trottoir kan voorwaarts gedaan worden. Let hierbij op dat de voetbeugel de grond niet raakt.



Het afrijden van lage trottoirs kan door een geoefend gebruiker zelf gedaan worden:

1. Breng de balans op de achterwielen om de druk op de voorwielen te verminderen.
2. Neem de hindernis.

Hogere trottoirs kunnen met een begeleider voorwaarts genomen worden:

1. Laat de begeleider de rolstoel lichtjes naar achter kantelen.
2. Rijd op de achterwielen het trottoir af.
3. Zet de rolstoel terug op de vier wielen.

Een geoefend gebruiker kan een hoger trottoir zelf afrijden. Dit kan best achterwaarts gedaan worden.



1. Draai u met de achterwielen naar het trottoir toe.
2. Leun voorover om het zwaartepunt naar de voorkant van de rolstoel te verplaatsen.
3. Breng de rolstoel naar de rand van de hindernis.
4. Gebruik de hoepels om uw rolstoel gecontroleerd van het trottoir af te rollen.

Oprijden van trottoirs

Trottoirs oprijden kan met begeleider als volgt:



1. Zorg er voor dat de voetbeugel het trottoir niet raakt.
2. Laat de begeleider de rolstoel lichtjes achterover kantelen tot er voldoende ruimte onder de voorwielen is om de hindernis te nemen.
3. Leun hierbij een beetje achterover om het zwaartepunt boven de achterwielen te houden.
4. Plaats de voorwielen op het trottoir.
5. Laat de rolstoel op de achterwielen over de hindernis duwen.

Een hoger trottoir kan best achterwaarts genomen worden:

1. Draai de rolstoel met de achterwielen naar het trottoir toe.
2. Leun een beetje achterover en breng het zwaartepunt boven de achterwielen.
3. Laat de begeleider de rolstoel op het trottoir trekken.
4. Neem uw normale positie in de rolstoel terug aan.

Het oprijden van trottoirs kan door een geoefend gebruiker zelf gedaan worden:



1. Rijd tot aan het trottoir.
2. Zorg ervoor dat de voetbeugel het trottoir niet raakt.
3. Leun achterover zodat U op de achterwielen balanceert.



4. Rol al balancerend de voorwielen over het trottoir
5. Leun voorover om meer stabiliteit te hebben.
6. Rol de achterwielen over de hindernis.

3.9.4 Nemen van trappen



WAARSCHUWING Gevaar voor letsel

- Voor het nemen van trappen zijn altijd 2 begeleiders nodig.

Het nemen van trappen terwijl u in de rolstoel zit doet u als volgt.

1. Laat één begeleider de rolstoel lichtjes naar achteren kantelen.
2. De andere begeleider neemt het frame aan de voorzijde vast.
3. Blijf rustig zitten, vermijd plotselinge bewegingen en houd uw armen binnen de rolstoel.
4. Laat de rolstoel op de achterwielen de treden nemen.

4 Onderhoud

4.1 Tijdstippen voor onderhoud

**VOORZICHTIG**

Gevaar voor letsel of beschadiging

Reparaties en vervangingen mogen enkel uitgevoerd worden door opgeleid personeel, en enkel originele onderdelen van Vermeiren mogen hierbij gebruikt worden.

i De onderhoudsfrequentie hangt af van de frequentie en intensiteit van gebruik. Neem contact op met uw vakhandelaar om een tijdschema vast te leggen voor nazicht/onderhoud/reparatie.

Voor de onderhoudshandleiding kan u de website van Vermeiren raadplegen: www.vermeiren.com.

Voor ieder gebruik

Kijk de volgende punten na:

- Alle onderdelen: aanwezig en niet beschadigd of versleten.
- Alle onderdelen: schoon, zie § 4.2.2
- Wielen, rugsteun, zit, kuitsteunen, armsteunen, voetplaten: stevig bevestigd.
- Staat van de wielen, zie §4.2.1
- Staat van de frameonderdelen: geen vervorming, instabiliteit, zwakte of losse verbindingen.
- Zit, rugsteun, armleggers, kuitsteunen en hoofdsteen (indien van toepassing): geen overmatige slijtage (bijv. gedeukte plekken, schade of scheuren).
- Remmen: onbeschadigd en werkend

Contacteer uw vakhandelaar voor eventuele reparaties of vervanging van onderdelen.

Jaarlijks of vaker

Laat uw rolstoel nakijken en onderhouden door uw vakhandelaar, ten minste één keer per jaar of vaker. De minimale onderhoudsfrequentie is afhankelijk van het gebruik en moet daarom besproken worden met uw vakhandelaar.

4.2 Onderhoudsinstructies

4.2.1 Wielen en banden



De goede werking van de remmen hangt af van de staat van de banden, die onderhevig zijn aan slijtage en verontreiniging (water, olie, modder,...).

Houd de wielen vrij van draden, haar, zand en vezels.

Kijk het profiel van de banden na. Als de profieldiepte minder dan 1 mm bedraagt, moeten de banden vervangen worden. Contacteer hiervoor uw vakhandelaar.

Pomp de banden op volgens de correcte spanning (zie drukindicatie op de banden).

4.2.2 Schoonmaak

VOORZICHTIG

Gevaar voor beschadiging door vocht

- Gebruik nooit een tuinslang of hogedrukreiniger om de rolstoel schoon te maken.

Veeg alle harde onderdelen van de rolstoel schoon met een vochtig doek (niet doorweekt). Indien nodig, gebruik een milde zeep die geschikt is voor vernis en synthetische materialen.

De bekleding kan schoon worden gemaakt met lauw water en een milde zeep. Gebruik geen agressieve schoonmaakmiddelen.

4.2.3 Ontsmetting

VOORZICHTIG

Gevaar voor beschadiging

- Ontsmetting mag enkel worden uitgevoerd door getraind personeel. Neem contact op met uw vakhandelaar.

4.3 Probleemoplossing

Ook wanneer u de rolstoel correct gebruikt, is het toch mogelijk dat er een technisch probleem optreedt. Neem in dat geval contact op met uw vakhandelaar.



WAARSCHUWING

Gevaar voor letsel of beschadiging aan de rolstoel

- Probeer NOOIT zelf uw rolstoel te repareren.

De volgende tekenen kunnen wijzen op een ernstig probleem. Neem daarom steeds contact op met uw vakhandelaar als u een van de volgende afwijkingen opmerkt:

- Vreemde geluiden;
- Oneven bandenslijtage op een van de banden;
- Schokkerige bewegingen;
- De rolstoel buigt af naar één kant;
- Beschadigde of kapotte wielmontages.

4.4 Verwachte levensduur

De gemiddelde levensduur van uw rolstoel is 5 jaar. De levensduur zal toenemen of afnemen afhankelijk van de gebruiksfrequentie, rijomstandigheden en onderhoud.

4.5 Hergebruik

Voor ieder hergebruik moet de rolstoel ontsmet, geïnspecteerd en onderhouden worden volgens de instructies in §4.1 en §4.2.

4.6 Beëindiging van gebruik

Op het einde van de levensduur moet u de rolstoel vernietigen volgens de lokale milieuwetgeving. De beste manier om dit te doen, is de rolstoel te demonteren om het vervoer van de recycleerbare onderdelen te vergemakkelijken.

5 Technische specificaties

Onderstaande technische gegevens zijn geldig voor de rolstoel in standaard instellingen. Wanneer er andere voetsteunen / armsteunen of andere accessoires worden gebruikt, worden de opgegeven waarden gewijzigd.

Merk	Vermeiren
Type	Manuele rolstoel
Model	V300DL
Maximale massa gebruiker	130 kg

Beschrijving	Minimale afmetingen			Maximale afmetingen		
Totale lengte inclusief voetsteun	1000 - 1040 mm					
Effectieve zitbreedte	390 mm	420 mm	440 mm	460 mm	480 mm	500 mm
Totale breedte (afhankelijk van de zitbreedte)	600 mm	630 mm	650 mm	670 mm	690 mm	710 mm
Lengte dichtgevouwen zonder voetsteunen	810 mm					
Breedte dichtgevouwen	320 mm					
Opgevouwen hoogte (afhankelijk van de zithoogte)	890 mm - 990 mm					
Totaal gewicht	18,8 kg					
Gewicht zwaarste onderdeel	11 kg					
Massa van afneembare onderdelen	Voetsteunen: 1,70 kg; Armsteunen: 2,20 kg; Achterwielen: 3,7 kg					
Statische stabiliteit bergaf	10° (in standaard configuratie)					
Statische stabiliteit bergop	7° (in standaard configuratie)					
Statische stabiliteit zijwaarts	18° (in standaard configuratie)					
Maximum hoogte hindernis	60 mm					
Zithoek	0°			10°		
Effectieve zitdiepte	440 mm			520 mm		
Zithoogte aan voorzijde	440 mm			530 mm		
Rughoek	5°					
Rughoogte	420 mm					
Afstand tussen zit en voetsteun	330 mm			500 mm		
Hoek tussen zit en voetplaat	5°			25°		
Hoek tussen zit en been voetsteun	105°					
Hoek tussen been voetsteun en voetplaat	80°					
Afstand tussen armlegger en zit	195 mm			300 mm		
Afstand voorzijde armlegger	335 mm			455 mm		
Diameter aandrijfhoepel	535 mm					
Horizontale afstand van de as (uitwijking)	1,27 mm			61,04 mm		
Minimale draaicirkel	1500 mm					
Diameter PU achterwielen	22"			24"		
Bandendruk, achter (aandrijf)wielen	Max. 3,5 bar					
Diameter PU stuurwielen	200 mm					
Bandendruk, stuurwielen	Max. 2,5 bar					
Materiaal frame	Aluminium					



Materiaal bekleding	Nylon	
Opslag en gebruikstemperatuur	+ 5 °C	+ 41 °C
Opslag en gebruiksluchtvochtigheid	30%	70%
We behouden ons het recht voor om technische wijzigingen te introduceren. Meettolerantie ± 15 mm / 1,5 kg / 1,5°		

Inhalt	1
Vorwort	2
1 Ihr Produkt	3
1.1 Zubehör	3
2 Vor der Benutzung	4
2.1 Bestimmungsgemäße Verwendung	4
2.2 Allgemeine Sicherheitshinweise	4
2.3 Symbole am Rollstuhl	4
2.4 Transport	5
2.5 Falten / Entfalten	7
2.6 Lagerung	7
3 Benutzung des Rollstuhls	8
3.1 An- oder Abbauen der Fußauflagen	8
3.2 Betätigen der Bremsen	8
3.3 An-/Abbauender Armlehnen	9
3.4 Einstellen der Armlehne	9
3.5 Verstellung Kippschutz	10
3.6 Mounting or removing the push bar	10
3.8 Setzen in den Rollstuhl	11
3.9 Fahren mit dem Rollstuhl	11
4 Wartung	15
4.1 Wartungspunkte	15
4.2 Wartungshinweise	15
4.3 Störungsbeseitigung	16
4.4 Voraussichtliche Nutzungsdauer	16
4.5 Wiederbenutzung	16
4.6 Nutzungsende	16
5 Technische Daten	17

Vorwort

DE

Herzlichen Glückwunsch! Sie sind nun Besitzer eines Vermeiren-Rollstuhls!

Dieser Rollstuhl wurde von versierten und engagierten Mitarbeitern gefertigt. Es entspricht hinsichtlich Konstruktion und Fertigung den hohen Qualitätsstandards von Vermeiren.

Vielen Dank für Ihr Vertrauen in Produkte von Vermeiren. Dieses Handbuch soll Ihnen bei der Benutzung dieses Rollstuhls und seiner Bedienmöglichkeiten helfen. Lesen Sie es daher bitte aufmerksam durch, um sich mit der Bedienung, den Fähigkeiten und Beschränkungen Ihres Rollstuhls vertraut zu machen.

Sollten Sie nach der Lektüre dieses Handbuchs noch Fragen haben, können Sie sich jederzeit an Ihren Fachhändler wenden. Er wird Ihnen gerne in dieser Angelegenheit weiterhelfen.

Wichtiger Hinweis

Um Ihre Sicherheit zu gewährleisten und die Nutzungsdauer Ihres Produkts zu verlängern, sollten Sie es gut behandeln und regelmäßig überprüfen und/oder warten lassen.

Dieses Handbuch enthält die neuesten Produktentwicklungen. Vermeiren behält sich das Recht vor, Veränderungen an dieser Art von Produkt vorzunehmen, ohne eine Verpflichtung einzugehen, ähnliche bereits ausgelieferte Produkte anzupassen oder auszutauschen.

Abbildungen des Produkts dienen zur Verdeutlichung der Anweisungen in diesem Handbuch. Das gezeigte Produkt kann in Details von Ihrem Produkt abweichen.

Verfügbare Informationen

Auf unserer Webseite <http://www.vermeiren.com/> finden Sie stets die aktuellste Version der in diesem Handbuch beschriebenen Informationen. Informieren Sie sich bitte regelmäßig auf dieser Website nach eventuell verfügbaren Aktualisierungen.

Sehbehinderte Menschen können sich die elektronische Version dieses Handbuchs herunterladen und mit Hilfe einer Sprachsyntheselösung („Text-to-Speech-Software“) vorlesen lassen.



Benutzerhandbuch

Für Anwender und Fachhändler



Installationsanweisungen

Für Fachhändler



Servicehandbuch für Rollstühle

Für Fachhändler



EG-Konformitätserklärung

1 Ihr Produkt



1. Handgriffe
2. Hebel für Rückenneigung
3. Griffhöhe Sternknopf
4. Rücken
5. Armpolster
6. Armlehnen
7. Sitz
8. Fußauflagen
9. Fußplatte
10. Lenkräder (Vorderräder)
11. Bremsen
12. Antriebsräder (Hinterräder)
13. Greifreifen
14. Kipphilfe
15. Kippschutz
16. Schere
17. Typenschild

1.1 Zubehör

Für den V300DL ist das folgende Zubehör erhältlich:

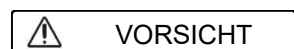
- Vorderer Beckengurt (B20)
- Tisch
- Gehstützenhalter

2 Vor der Benutzung

2.1 Bestimmungsgemäße Verwendung

- Indikationen und Kontraindikationen: Der Rollstuhlfahrer kann den Rollstuhl entweder selbst antreiben oder von einer zweiten Person geschoben werden. Der Rollstuhl ist ausschließlich für den Transport von ältere Menschen oder gehbehinderten oder gehunfähigen Menschen vorgesehen, wie z.B. Lähmungen, Gliedmaßenverlust, Gliedmaßendefekt oder -deformation, Gelenkkontrakturen oder -schäden, Herzkrankheiten oder schwachem Blutkreislauf, Gleichgewichtsstörungen, Kachexie (Muskelschwund), ... Sie dürfen diesen Rollstuhl NICHT benutzen, wenn Sie unter seelischen oder körperlichen Beeinträchtigungen leiden, die Sie oder andere Personen beim Fahren des Rollstuhls in Gefahr bringen könnten. Suchen Sie daher bitte zunächst Ihren Arzt auf und stellen Sie sicher, dass Ihr Fachhändler über dessen Rat informiert ist.
- Dieser Rollstuhl ist für den Innen- und Außenbereich geeignet.
- Er ist ausschließlich dafür konzipiert und gefertigt, eine (1) Person mit einem Gewicht von maximal 130 kg zu transportieren. Er ist nicht dafür vorgesehen, Sachen oder Objekte zu transportieren oder zu anderen Zwecken als zuvor beschrieben benutzt zu werden.
- Verwenden Sie ausschließlich von Vermeiren genehmigte Zubehör- oder Ersatzteile.
- Sehen Sie sich auch die technischen Daten und die Einschränkungen Ihres Rollstuhls in Abschnitt 5 an.
- Die Garantie für dieses Produkt beruht auf dessen normaler Benutzung und Wartung wie in diesem Handbuch beschrieben. Schäden an Ihrem Produkt, die auf unsachgemäße Benutzung oder mangelnde Wartung zurückzuführen sind, führen zum Erlöschen der Garantie.

2.2 Allgemeine Sicherheitshinweise



Gefahr von Personen- und/oder Sachschäden

Bitte lesen und befolgen Sie die Anweisungen in dieser Bedienungsanleitung, da andernfalls Verletzungsgefahr besteht oder Ihr Rollstuhl beschädigt werden könnte.

Beachten Sie bei der Benutzung die folgenden allgemeinen Warnhinweise:

- Benutzen Sie Ihren Rollstuhl nicht, wenn Sie unter dem Einfluss von Alkohol, Medikamenten oder anderen Substanzen stehen, die Ihre Fahrtüchtigkeit beeinträchtigen könnten.
- Beachten Sie, dass bestimmte Teile dieses Rollstuhls infolge der Umgebungstemperatur, Sonneneinstrahlung, Heizkörpern usw. sehr warm oder sehr kalt werden können. Seien Sie daher vorsichtig beim Berühren. Tragen Sie bei kaltem Wetter Schutzbekleidung. Wenn Sie sich im Freien aufhalten, können Reithandschuhe verwendet werden, um den Griff an den Handrändern zu verbessern.
- Nehmen Sie keinerlei Veränderungen an Ihrem Rollstuhl vor.

Bitte beachten sie, dass Ihr Rollstuhl je nach den verwendeten Einstellungen einige Arten von Diebstahlsicherungssystemen beeinträchtigen kann. Dies kann dazu führen, dass der Sicherungsalarm des Shops ausgelöst wird.

Sollte sich ein schwerwiegender Zwischenfall mit Ihrem Produkt ereignet haben, benachrichtigen Sie Vermeiren oder Ihren Fachhändler sowie die zuständige Behörde in Ihrem Land.

2.3 Symbole am Rollstuhl



Maximalgewicht des Benutzers (in kg)



Außen/Innenbenutzung



Maximale Neigungssicherheit in ° (Grad).

Typbezeichnung

2.4 Transport

2.4.1 Transport in einem Kraftfahrzeug

 **WARNUNG** Verletzungsgefahr

- Achten Sie darauf, den Rollstuhl ordnungsgemäß zu befestigen. So vermeiden Sie Verletzungen der Fahrzeuginsassen bei einer Kollision oder einem plötzlichen Bremsmanöver.
 - Verwenden Sie zum Sichern des Rollstuhls und des Fahrzeuginsassens NIEMALS den gleichen Sicherheitsgurt.
1. Entfernen Sie die Fußauflagen und Armlehnen sowie das Zubehör an einem Ort auf.
 2. Bewahren Sie die Fußauflagen und Armlehnen sowie das Zubehör an einem sicheren Ort auf.
 3. Wenn möglich, klappen Sie den Rollstuhl zusammen und bauen Sie die Hinterräder ab.
 4. Transportieren Sie den Rollstuhl nach Möglichkeit im Kofferraum oder Gepäckraum.
 5. Wenn der Gepäckraum und der Fahrgastraum NICHT voneinander getrennt sind, befestigen Sie den Rahmen des Rollstuhls sicher am Fahrzeug. Sie können hierzu verfügbare Sicherheitsgurte im Fahrzeug verwenden.

2.4.2 Nutzung des Rollstuhls als Sitz in einem PKW

 **WARNUNG** Verletzungsgefahr

- Der Rollstuhl hat den Crash-Test gemäß ISO 7176-19: 2008 bestanden und ist konstruiert und ausgelegt zur Nutzung als Sitz in einem PKW nur in Blickrichtung nach vorne.
- Ein Rollstuhlrückhaltegurt ist nicht als Sicherheitsgurt zu verwenden.

Der Rollstuhl wurde getestet unter Verwendung eines 5-Punkt Rückhaltegurtsystems (Rollstuhl) und eines 3-Punkt-Sicherheitsgurtes (Nutzer).

Grundsätzlich ist, wenn möglich, bevorzugt ein vorhandener PKW-Sitz zu verwenden und der Rollstuhl sicher im Gepäckraum zu verstauen.

Sicheres Verzurren des Rollstuhls innerhalb des PKW's:

1. Prüfen Sie, ob der PKW mit einem PKW-Gurtsystem und einem Sicherheitsgurt gemäß ISO 10542 ausgestattet ist.
2. Prüfen Sie, dass alle Komponenten des PKW-Gurtsystems (Rollstuhl) und des Sicherheitsgurtes (Nutzer) nicht ausgefranst, verschmutzt, beschädigt oder geknickt sind.
3. Ist der Rollstuhl mit verstellbaren Sitz-/Rückensystemen ausgestattet, sind diese in eine Position zu bringen, die den Nutzer in eine möglichst aufrechte Sitzposition bringen. Lässt der Zustand des Nutzers dies nicht zu, sind die Risiken die den Transport in einer anderen Position zur Folge haben, festzustellen und zu bewerten.
4. Entfernen Sie alle angebauten Teile und Zubehörteile, wie z.B. Körbe, Taschen, Beatmungsequipment, usw., und verstauen Sie diese gesondert sicher im Gepäckraum.
5. Positionieren Sie den Rollstuhl in Vorwärtsrichtung mittig zwischen den Schienen des PKW-Gurtsystems, die im Boden des PKW's eingebaut sind.
6. Stellen Sie sicher, dass keine Fahrzeugteile/-bauten in die unten angegebenen Sicherheitszonen um den Nutzer herum gebaut sein dürfen.

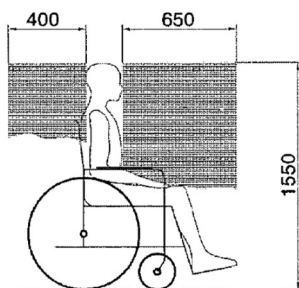


Abb. 1

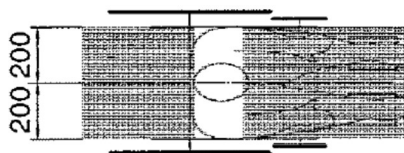


Abb. 2

7. Montieren Sie die vorderen Gurte des Rollstuhl-Gurtsystems gemäß den Angaben des jeweiligen Herstellers an den angegebenen Positionen am Rollstuhl (Abb. 3). Diese Stellen sind am Rollstuhl mit einem Symbol markiert (Abb. 4).
8. Ziehen Sie den Rollstuhl soweit nach hinten, bis die vorderen Gurte gespannt sind.
9. Betätigen Sie nun die Bremsen des Rollstuhls.
10. Montieren Sie die hinteren Gurte des Rollstuhl-Gurtsystems gemäß den Angaben des jeweiligen Herstellers an den angegebenen Positionen am Rollstuhl (Abb. 3). Diese Stellen sind am Rollstuhl mit einem Symbol markiert (Abb. 4).

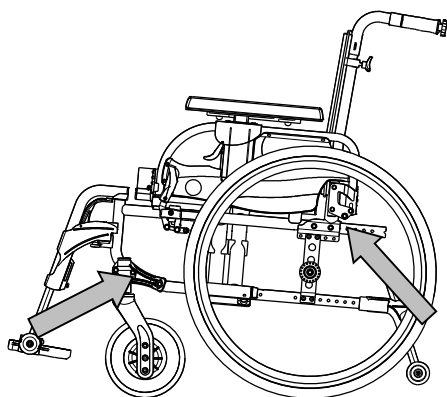


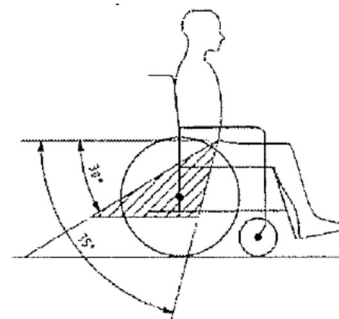
Abb. 3



Abb. 4

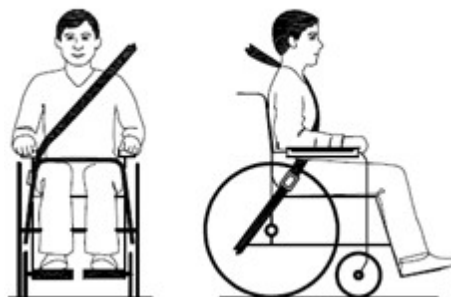
Sicheres Anschnallen des Nutzers:

1. Nehmen Sie beide Armlehnen ab.
2. Wenn vorhanden, legen Sie den Rollstuhl an.
3. Legen Sie den Sicherheitsgurt des PKW's an gemäß den Angaben des jeweiligen Herstellers.
4. Legen Sie den Gurt so über dem vorderen Becken des Nutzers an, dass der Gurtriemen in einem Winkel zwischen 30° und 75° Grad zur Horizontalen liegt (siehe auch nachfolgende Zeichnung).
5. Je größer (steiler) der Winkel des Gurtriemens innerhalb der markierten Fläche, desto besseren Halt kann das Gurtsystem bieten.
6. Legen Sie den Gurt stramm gemäß den Angaben des jeweiligen Herstellers an, ohne den Nutzer zu verletzen oder zu behindern.
7. Stellen Sie sicher, dass die Gurte in einer direkten Linie zur Gurtaufhängung des PKW's angebracht werden und dass keine Knicke und Verdrehungen in den Riemen sichtbar sind, zum Beispiel durch die Hinterradachse.
8. Bauteile des Rollstuhls (Armlehnen, Räder usw.) dürfen den Gurt nicht vom Körper des Nutzers fernhalten



GRÜTE SOLLEN KOMPLETTEN KONTAKT ÜBER DEN BRUSTKORB HABEN BIS ZUM SEITLICHEN BECKEN UND OBERSCHENKEL

BAUTEILE DES ROLLSTUHLS DÜRFEN DEN GURT NICHT VOM KÖRPER DES NUTZERS FERNHALTEN (Z.B. ARMLEHNEN, RÄDER USW.)



2.5 Falten / Entfalten



Verletzungsgefahr

Achten Sie darauf, dass Ihre Finger nicht zwischen die Rollstuhlkomponenten gelangen.

2.5.1 Auseinanderklappen des Rollstuhl

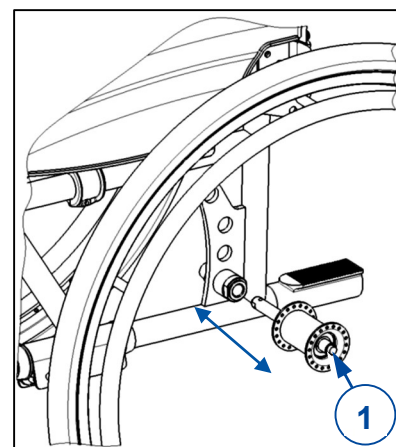
1. Stellen Sie sich auf die Rückseite des Rollstuhls.
2. Nutzen Sie die Handgriffe, um den Rollstuhl so weit wie möglich zu öffnen.
3. Stellen Sie sich auf die Vorderseite des Rollstuhls.
4. Drücken Sie die beiden Holme, an denen der Sitz befestigt ist, weiter nach unten.

2.5.2 Zusammenklappen des Rollstuhls

1. Klappen Sie die Fußplatten hoch oder nehmen Sie die Beinstützen ab (siehe § 3.1).
2. Fassen Sie den Sitz an der Vorder- und Hinterseite an, und ziehen Sie ihn nach oben.

2.5.3 Montage der Hinterräder

1. Nehmen Sie das Hinterrad in die Hand und drücken Sie auf den Arretierstift ①.
2. Halten Sie den Arretierstift gedrückt und schieben Sie das Hinterrad bis zum Anschlag auf die Achse.
3. Lassen Sie den Arretierstift los.
4. Prüfen Sie, ob die Räder sicher auf der Achse sitzen.



2.5.4 Abnehmen der Hinterräder

1. Stellen Sie sicher, dass die Bremsen gelöst sind.
2. Drehen Sie die Seite des Rollstuhls zu sich, an der Sie das Rad abnehmen möchten.
3. Drücken Sie den Arretierstift ① in der Mitte der Radnabe.
4. Ziehen Sie das Rad vom Rahmen ab.

2.6 Lagerung

- i** Stellen Sie sicher, dass Ihr Rollstuhl in einer trockenen Umgebung gelagert wird, um Schimmelbildung und die Beschädigung der Polsterung zu vermeiden, siehe auch Kapitel 5.

3 Benutzung des Rollstuhls


WARNUNG

Verletzungsgefahr

- Lesen Sie bitte zunächst die vorhergehenden Abschnitte, um sich über die Benutzungsbedingungen zu informieren. Benutzen Sie den Rollstuhl NICHT, bevor Sie alle Anweisungen aufmerksam gelesen und vollständig verstanden haben.
- Bei Zweifeln oder Fragen wenden Sie sich bitte zwecks Hilfe an Ihren Fachhändler, Pflegedienst oder Fachberater.

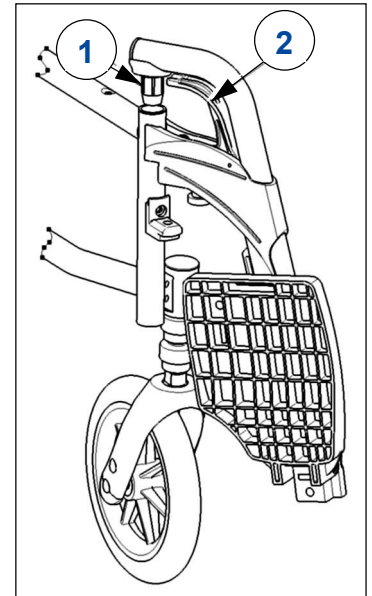
3.1 An- oder Abbauen der Fußauflagen

Die Fußauflagen werden wie folgt montiert:

1. Halten Sie die Fußauflage seitlich an die Außenseite des Rollstuhlr Rahmens und stecken Sie den Zapfen ① in den Rahmen.
2. Drehen Sie die Fußauflage nach innen bis diese einrasten.
3. Drücken Sie die Fußplatte nach unten.

So bauen Sie die Fußauflagen ab:

1. Ziehen Sie am Hebel ②.
2. Schwenken Sie die Fußauflage an die Außenseite des Rollstuhls, bis sie sich aus der Führung löst.
3. Ziehen Sie die Fußauflage mit dem Zapfen aus dem Rahmen ①.



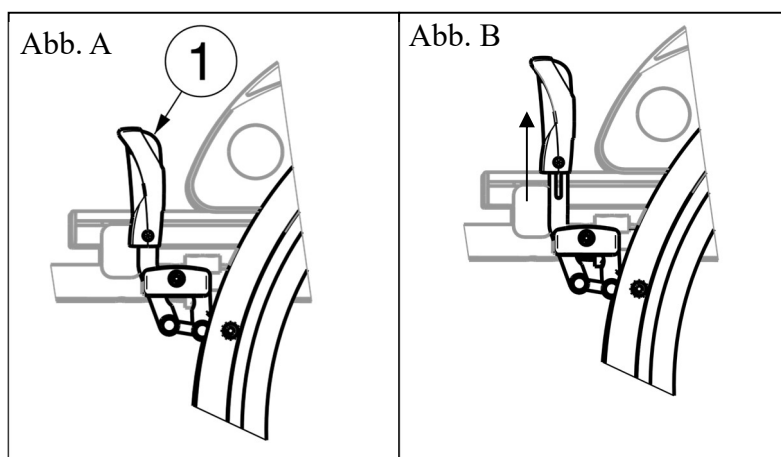
3.2 Betätigen der Bremsen


VORSICHT

Verletzungsgefahr

- Die Bremsen dienen nicht dazu, die Bewegung des Rollstuhls abzubremesen. Sie dienen ausschließlich dazu, unbeabsichtigte Bewegungen des Rollstuhls zu verhindern.
- Die ordnungsgemäße Funktion der Bremsen kann durch Verschleiß oder Schmutz (auch Wasser, Öl, Schlamm usw.) beeinträchtigt werden. Überprüfen Sie daher vor jeder Rollstuhlnutzung den Zustand der Reifen.
- Die Bremsen sind einstellbar und können verschleifen. Überprüfen Sie daher vor jeder Rollstuhlnutzung den Zustand der Bremsen.
- Achten Sie darauf, dass der Rollstuhl auf einer flachen, horizontalen Fläche steht, bevor Sie die Bremsen lösen. Lösen Sie niemals beide Bremsen gleichzeitig.

Um die Bremskraft zu reduzieren, kann man den Bremshebel verlängern (Abb. B).



So betätigen Sie die Bremsen (Abb. A):

1. Drücken Sie die Bremshebel nach vorn, bis sie ein deutliches Klicken fühlen.

So lösen Sie die Bremsen:

1. Lösen Sie eine Bremse, indem Sie den Griff nach hinten ziehen.
2. Fassen Sie den Greifreifen des Rads mit der gelösten Bremse mit Ihrer Hand.
3. Lösen Sie die zweite Bremse, indem Sie den Griff nach hinten ziehen.

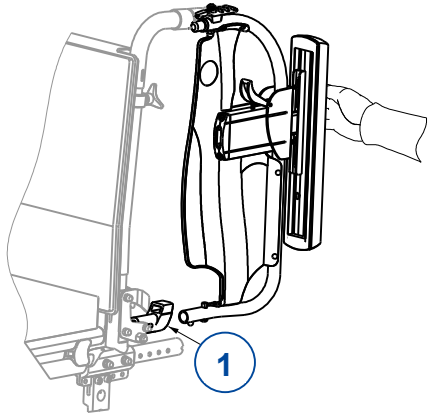
3.3 An-/Abbauender Armlehnen


VORSICHT

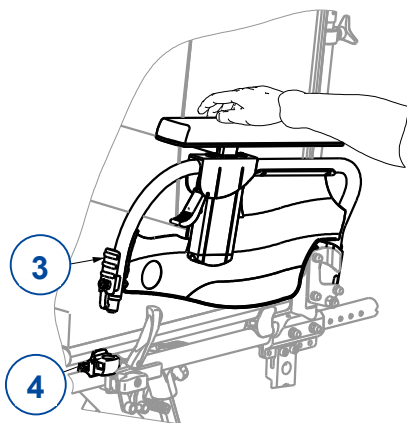
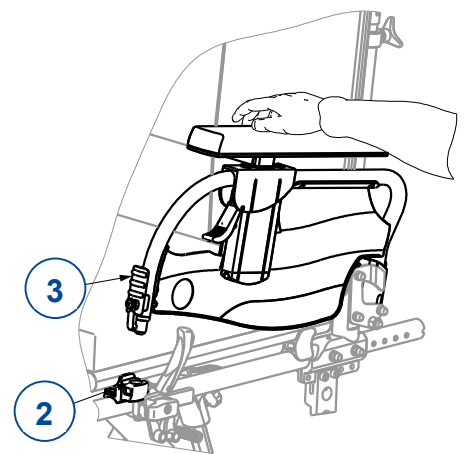
Verletzungsgefahr

- Halten Sie Ihre Finger, Schnallen oder Kleidungsstücke fern von der Unterseite der Armauflage.

Die Armauflagen des Rollstuhl können durch folgende Hinweise angebaut werden.



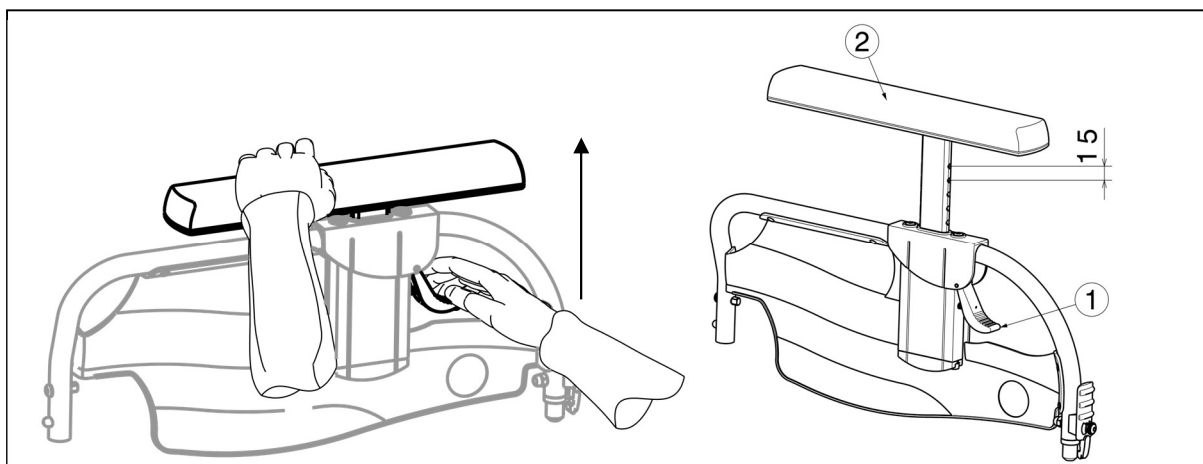
1. Schieben Sie das hintere Rohr der Armauflage in die Rohraufnahme (1).
2. Achten Sie darauf, dass die Armauflage vollständig in den Verriegelungsmechanismus einrastet.
3. Klappen Sie die Armauflage nach vorne.
4. Schieben Sie das vordere Rohr der Armauflage in die Rohraufnahme (2).



So entriegeln Sie eine Armauflage und bauen sie ab:

1. Drücken Sie den Hebel (3) und ziehen Sie die Vorderseite der Armauflage nach oben.
2. Klappen Sie die Armauflage nach hinten.
3. Zum Abbauen der Armauflage drücken Sie den Knopf (4) und ziehen den hinteren Teil der Armauflage aus der Aufnahme (1).

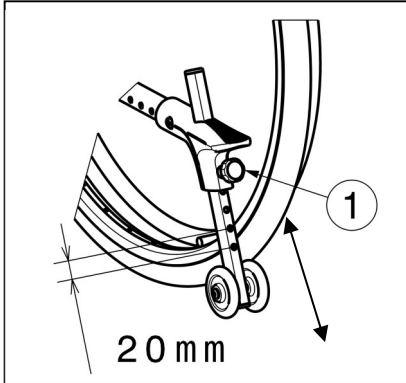
3.4 Einstellen der Armlehne



Die Höhe der Armpolster kann in 8 Positionen eingestellt werden (bis 105 mm in Schritten von 15 mm).

1. Drücken Sie den Hebel ①.
2. Bringen Sie den Armpolster ② in die gewünschte Höhe.
3. Lösen Sie den Hebel ①.
4. Überprüfen Sie, ob die Armpolster ② fest gesichert sind.

3.5 Verstellung Kippschutz



Die Höhe der Kippschutz wird wie folgt in 7 Positionen eingestellt (Bereich 120 mm: Schritte von 20 mm):

1. Lösen Sie das Sternrad ① leicht.
2. Schieben Sie das Kippschutz in die gewünschte Position.
3. Ziehen Sie das Sternrad ① wieder fest.
4. Prüfen Sie, ob der Kippschutz fest eingerastet ist.

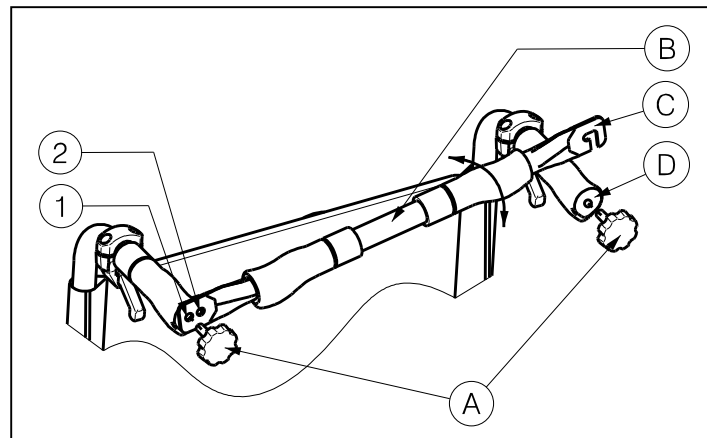
3.6 Mounting or removing the push bar



WARNUNG

Verletzungsgefahr

- Stellen Sie sicher, dass die Sternräder (A) fest sitzen.
- Wenn der Rollstuhl über eine Schiebbestange verfügt, muss diese immer montiert werden zur Erhöhung der Stabilität.



So montieren Sie die Schiebbestange:

1. Setzen Sie die Schiebbestange (B) mit dem Sterngriff (A) in den linken Handgriff.
2. Drehen Sie die Schiebbestange (B) nach rechts.
3. Setzen Sie die Aufhängung (C) über den rechten Handgriff (D) wie in der Zeichnung angegeben. Nutzen Sie die Lochungen (1) oder (2) für unterschiedliche Spannung in der Rückenlehne.

So bauen Sie die Schiebbestange ab:

1. Lösen Sie die Sterngriff (A) am rechten Handgriff.
2. Entfernen Sie die Aufhängung (C) vom rechten Handgriff (D).

3.7 Höhe des Schiebegriffes

Die Schiebegriffe können über eine Strecke von 60 mm stufenlos eingestellt werden:

1. Lösen Sie die Schraube (1) .
2. Verschieben Sie den Schiebegriff nach oben/unten auf die gewünschte Höhe.
3. Ziehen Sie die Schraube (1) wieder fest.
4. Wiederholen Sie den Vorgang für den anderen Handgriff.
Achten Sie darauf, dass beide Griffe sicher befestigt sind.



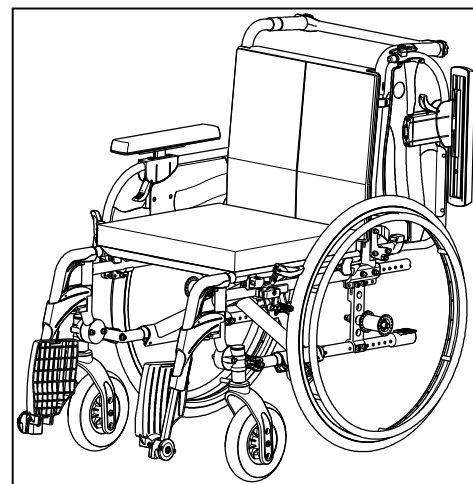
3.8 Setzen in den Rollstuhl

**VORSICHT**

Verletzungsgefahr

- Falls Sie sich nicht allein sicher in den Rollstuhl oder aus diesem heraus umsetzen können, bitten Sie jemanden um Hilfe.
- Stellen Sie sich nicht auf die Fußplatten.

1. Positionieren Sie den Rollstuhl so nah wie möglich an den Stuhl, die Couch oder das Bett, zu dem bzw. von dem das Umsetzen vorgenommen werden soll.
2. Achten Sie darauf, dass beide Bremsen des Rollstuhls betätigt sind.
3. Klappen Sie die Fußplatten nach oben, damit Sie sich nicht versehentlich darauf stellen.
4. Wenn Sie sich von der Seite in den Rollstuhl setzen, entfernen Sie die Armlehne an der entsprechenden Seite (Siehe § 3.3) und falten der Bremshebel nach unten.
5. Setzen Sie sich in den Rollstuhl.



3.8.1 Korrekte Sitzposition im Rollstuhl

Einige Empfehlungen für die komfortable Verwendung des Rollstuhls:

- Setzen Sie sich möglichst weit nach hinten, so dass der Rücken an der Rückenlehne anliegt.
- Achten Sie darauf, dass Ihre Oberschenkel möglichst horizontal stehen. Gegebenenfalls müssen Sie die Länge der Beinstützen einstellen (siehe Installationsanleitung).

3.9 Fahren mit dem Rollstuhl

**VORSICHT**

Gefahr von Verletzungen und Schäden

- Achten Sie vor jeder Benutzung auf Folgendes:
 - Feststellbremsen funktionieren einwandfrei.
 - Reifen sind in gutem Zustand, siehe Kapitel 4.
- Verhindern Sie, dass Ihre Finger von den Radspeichen erfasst werden.
- Fassen Sie die Greifringe nicht mit nassen Händen an.
- Verhindern Sie das Einklemmen Ihrer Hände an den Greifringen, wenn Sie schmale Passagen passieren.
- Fahren Sie NICHT auf Steigungen, Hindernissen, Stufen oder Bordsteinen, die größer sind als in Kapitel 5 angegeben.
- Wenn Sie auf einem (kleinen) Hang stehen bleiben, benutzen Sie die Bremsen.
- Achten Sie bei Bergauf- oder -abfahrten darauf, dass alle vier Räder Bodenkontakt haben.
- Fahren Sie auf Gefällen so langsam wie möglich.
- Bleiben Sie auf öffentlichen Straßen immer auf der Straße.

- Achten Sie darauf, wenn die Straße Löcher oder Lücken aufweist, die zum Einschlag der Räder führen können.
- Vermeiden Sie Steine und andere Gegenstände, die die Räder blockieren könnten.
- Stellen Sie sicher, dass die Fußplatten nicht den Boden berühren, wenn Sie ein Hindernis nehmen.
- Verwenden Sie Ihren Rollstuhl nicht auf einer Rolltreppe.
- Falls vorhanden, tragen Sie Ihren Sicherheitsgurt.
- Berücksichtigen Sie stets den Schwenkbereich der Fußplatte, um keine Passanten zu verletzen oder Gegenstände zu beschädigen.
- Wenn Sie nicht genug Erfahrung mit dem Rollstuhl haben, wenden Sie sich an einen Begleiter. Halten Sie Ihre Arme von den Rädern fern und halten Sie die Füße auf der Fußplatte.
- Treppen sollten immer mit Hilfe von zwei Begleitpersonen verhandelt werden.
- Versuchen Sie niemals Treppen zu benutzen, die nicht für Rollstühle geeignet sind.

3.9.1 Ihren Rollstuhl fahren:

1. Lösen Sie die Bremsen.
2. Bringen Sie beide Greifring in die höchste Position.
3. Lehnen Sie sich nach vorne und drücken Sie die Greifringe nach vorne, bis Ihre Arme gerade sind.
4. Bewegen Sie Ihre Hände zurück an die Oberseite der Greifringe und wiederholen Sie die Bewegung.

3.9.2 Bewegen an Steigungen



WARNUNG

Verletzungsgefahr

- Bewegen Sie sich an Steigungen so langsam wie möglich.
- Wenn Ihr Helfer nicht stark genug ist, den Rollstuhl zu kontrollieren, betätigen Sie die Bremsen.
- Lehnen Sie sich nach vorn, um Ihren Schwerpunkt nach vorne zu verlagern. So sorgen Sie für bessere Stabilität.



1. Falls Ihr Rollstuhl mit einem Sicherheitsgurt ausgestattet ist, sollten Sie ihn stets anlegen.
2. Versuchen Sie nicht, zu steile Steigungen hinauf zu fahren. Die maximalen Steigungswinkel (bergauf und bergab) sind Tabelle 1 zu entnehmen.
3. Bitten Sie einen Helfer, Sie beim Hinauffahren der Steigung zu unterstützen.

4. Lehnen Sie sich nach vorn, um Ihren Schwerpunkt nach vorne zu verlagern.

3.9.3 Überwinden von Stufen und Bordsteinen



WARNUNG

Verletzungsgefahr

- Falls Sie noch unerfahren im Umgang mit dem Rollstuhl sind, lassen Sie sich helfen.

Hinunterfahren von Stufen und Bordsteinen

Stufen und Bordsteine können vorwärts überwunden werden. Achten Sie darauf, dass die Fußauflagen den Boden nicht berühren.



Ein geübter Fahrer kann Stufen und Bordsteine problemlos allein hinunterfahren:

1. Verlagern Sie das Gewicht auf die Hinterräder, um die Vorderräder zu entlasten.
2. Fahren Sie den Bordstein hinunter.

Auch höhere Bordsteine können mit einem Helfer vorwärts überwunden werden:

1. Bitten Sie den Helfer, den Rollstuhl etwas nach hinten zu kippen.
2. Fahren Sie den Bordstein hinunter, während Sie die Hinterräder bewegen.
3. Setzen Sie den Rollstuhl wieder auf alle vier Räder.

Ein erfahrener Fahrer kann auch höhere Bordsteine alleine überwinden. Die erfolgt dann am besten rückwärts.



1. Drehen Sie den Rollstuhl so, dass die Hinterräder zum Bordstein weisen.
2. Lehnen Sie sich nach vorn, um Ihren Schwerpunkt nach vorne zu verlagern.
3. Bewegen Sie den Rollstuhl so nah wie möglich an den Bordstein.
4. Drücken Sie vorsichtig am Greifreifen, um den Rollstuhl langsam den Bordstein hinunterfahren zu lassen.

Hinauffahren von Stufen und Bordsteinen

So überwinden Sie Stufen oder Bordsteine mit einem Helfer:



1. Achten Sie darauf, dass die Fußauflagen den Bordstein nicht berühren.
2. Bitten Sie den Helfer, den Rollstuhl gerade so weit nach hinten zu kippen, dass die Vorderräder über dem Bordstein stehen.
3. Lehnen Sie sich nach hinten, um Ihren Schwerpunkt nach hinten über die Hinterräder zu verlagern.
4. Setzen Sie die Vorderräder auf den Bordstein.
5. Rollen Sie die Hinterräder des Rollstuhls über den Bordstein.

Höhere Bordsteine können Sie rückwärts überwinden:

1. Drehen Sie den Rollstuhl so, dass die Hinterräder zum Bordsteine weisen.
2. Lehnen Sie sich nach hinten, und bringen Sie den Schwerpunkt über die Hinterräder.
3. Bitten Sie die Begleitperson, den Rollstuhl über den Bordstein zu ziehen.
4. Nehmen Sie wieder die normale Position auf dem Rollstuhl ein.

Ein erfahrener Fahrer kann auch Bordsteine alleine überwinden:



1. Fahren Sie bis an den Bordstein heran.
2. Achten Sie darauf, dass die Fußauflagen den Bordstein nicht berühren.
3. Lehnen Sie sich nach hinten, um den Schwerpunkt auf die Hinterräder zu verlagern.
4. Rollen Sie die Vorderräder vorsichtig über den Bordstein.
5. Lehnen Sie sich nach vorn, um mehr Stabilität zu erhalten.
6. Rollen Sie die Hinterräder über den Bordstein.

3.9.4 Überwinden von Treppen

DE

 **WARNUNG** Verletzungsgefahr

- Treppen sollten immer mit zwei Helfern überwunden werden.

Auch eine Treppe kann mit einem Rollstuhl überwunden werden, wenn die folgenden Regeln beachtet werden:

1. Ein Helfer kippt den Rollstuhl etwas nach hinten.
2. Der zweite Helfer fasst den Rollstuhl am vorderen Rahmen.
3. Bleiben Sie ruhig, vermeiden Sie plötzliche Bewegungen, und halten Sie die Arme am Körper.
4. Überwinden Sie die Stufen mit den Hinterrädern des Rollstuhls.

4 Wartung

4.1 Wartungspunkte



VORSICHT

Gefahr von Verletzungen und Schäden

Reparaturen und Teileaustausch dürfen nur von geschultem Personal durchgeführt werden und es dürfen nur Originalersatzteile von Vermeiren verwendet werden.

i Die Wartungshäufigkeit hängt von der Häufigkeit und Intensität der Nutzung ab. Wenden Sie sich an Ihren Händler, um einen allgemeinen Zeitplan für Inspektion/Wartung/Reparatur zu vereinbaren.

Hinweise zur Wartung entnehmen Sie bitte der Website von Vermeiren: www.vermeiren.com

Vor jeder Benutzung

Kontrollieren Sie folgende Punkte:

- Alle Komponenten: Vorhanden und nicht beschädigt oder verschlissen sind.
- Alle Komponenten: Reinigung siehe Kapitel 4.2.2.
- Räder, Rückenlehne, Sitz, Wadenlehnen, Armlehnen, Fußplatte: Sind korrekt gesichert.
- Zustand der Räder/Reifen (siehe Kapitel 4.2.1);
- Zustand der Rahmenteile: Keine Deformation, Instabilität, Schwachstelle oder lose Verbindungen
- Sitz, Rückenlehne, Armpolster, Wadenpolster und Kopfstütze (falls vorhanden): Kein übermäßiger Verschleiß (wie Eindellungen, Beschädigungen oder Risse)
- Bremsen: Unbeschädigt und funktionsfähig

Wenden Sie sich wegen etwaiger Reparaturen oder Ersatzteile an Ihren Fachhändler.

Jährlich oder häufiger

Lassen Sie Ihren Rollstuhl mindestens einmal pro Jahr oder häufiger von Ihrem Fachhändler inspizieren und warten. Die minimale Wartungshäufigkeit ist von der Benutzung abhängig und sollte daher zusammen mit Ihrem Fachhändler abgesprochen werden.

4.2 Wartungshinweise

4.2.1 Räder und Reifen

i Die korrekte Funktionsweise der Bremsen ist vom Zustand der Reifen abhängig und kann sich infolge von Verschleiß und Verunreinigung (Wasser, Öl, Matsch usw.) verändern.

Achten Sie darauf, dass keine Drähte, Haare, Sand oder Fasern an den Rädern anhaften.

Überprüfen Sie regelmäßig das Reifenprofil. Wenn die Profiltiefe weniger als 1 mm beträgt, muss der Reifen ausgetauscht werden. Wenden Sie sich diesbezüglich bitte an Ihren Fachhändler.

Pumpen Sie jeden Reifen mit dem korrekten Druck auf (siehe Angabe auf dem Reifen).

4.2.2 Reinigung

VORSICHT

Beschädigungsgefahr durch Feuchtigkeit

- Benutzen Sie keinesfalls einen Wasserschlauch oder Hochdruckreiniger, um den Rollstuhl zu reinigen.

Wischen Sie alle festen Teile des Rollstuhls mit einem feuchten (nicht durchnässten) Tuch ab. Benutzen Sie ggf. eine milde Seife, die für Lacke und Kunststoffe geeignet ist.

Die Polsterung kann mit lauwarmem Wasser und einer milden Seife gereinigt werden. Verwenden Sie keine scheuernden Reinigungsmittel.

4.2.3 Desinfektion

DE

VORSICHT

Beschädigungsgefahr

- Eine Desinfektion darf nur von dafür geschultem Personal durchgeführt werden. Wenden Sie sich hierfür an Ihren Fachhändler.

4.3 Störungsbeseitigung

Auch bei ordnungsgemäßer Benutzung Ihres Rollstuhls kann ein technisches Problem auftreten. In diesem Fall wenden Sie sich bitte an Ihren Fachhändler.



WARNUNG

Gefahr von Verletzungen und Schäden am Rollstuhl.

- Versuchen Sie NIEMALS, den Sitzschalenstuhl selbst zu reparieren, um ein Problem zu beheben.

Die nachstehend genannten Symptome können auf ein ernsthaftes Problem hindeuten. Sie sollten sich daher stets an Ihren Fachhändler wenden, wenn eine der folgenden Situationen eintritt:

- Ungewöhnliche Geräusche
- Ungleichmäßige Abnutzung an einem der Reifen
- Ruckartige Bewegungen
- Rollstuhl zieht zu einer Seite
- Beschädigte oder gebrochene Radeinheiten

4.4 Voraussichtliche Nutzungsdauer

Die durchschnittliche Nutzungsdauer Ihres Rollstuhls beträgt 5 Jahre. Je nach Nutzungshäufigkeit, Betriebsbedingungen und Wartung kann die Nutzungsdauer Ihres Rollstuhls länger oder kürzer sein.

4.5 Wiederbenutzung

Lassen Sie den Rollstuhl vor jeder Wiederbenutzung desinfizieren, inspizieren und entsprechend den Anweisungen in Abschnitt 4.1 und 4.2 warten.

4.6 Nutzungsende

Am Ende seiner Nutzungsdauer muss Ihr Rollstuhl gemäß den geltenden Umweltvorschriften entsorgt werden. Dazu wird er im besten Fall zerlegt, um den Transport wiederverwertbarer Teile zu erleichtern.

5 Technische Daten

Die im Folgenden aufgeführten technischen Daten gelten für einen Rollstuhl in der Standardkonfiguration. Wurden eine Fußauflagen und/oder eine Armlehnen oder anderes Zubehör montiert, ändern sich die in der Tabelle aufgeführten Werte.

Produktname	Vermeiren
Typ	Rollstuhl
Modell	V300DL
Max. zulässiges Gewicht des Fahrers	130 kg

Beschreibung	Minimale Abmessungen			Maximale Abmessungen		
	mm	mm	mm	mm	mm	mm
Gesamtlänge mit Fußstützen	1000 - 1040 mm					
Effektive Sitzbreite	390 mm	420 mm	440 mm	460 mm	480 mm	500 mm
Gesamtbreite (abhängig von der Sitzbreite)	600 mm	630 mm	650 mm	670 mm	690 mm	710 mm
Länge zusammengeklappt ohne Fußstützen	810 mm					
Breite zusammengeklappt	320 mm					
Höhe zusammengeklappt (abhängig von der Sitzhöhe)	890 mm - 990 mm					
Gesamtgewicht	18,8 kg					
Gewicht des schwersten Teils	11 kg					
Gewichte von Teilen, die demontierbar oder abnehmbar sind	Fußauflagen: 1,70 kg; Armlehnen: 2,20 kg; Hinterräder: 3,7 kg					
Statische Stabilität, bergab	10° (in der Standardkonfiguration)					
Statische Stabilität, bergauf	7° (in der Standardkonfiguration)					
Statische Stabilität, seitwärts	18° (in der Standardkonfiguration)					
Überfahren von Hindernissen	60 mm					
Winkel der Sitzfläche	0°			10°		
Effektive Sitztiefe	440 mm			520 mm		
Höhe der Sitzoberfläche an der Vorderkante	440 mm			530 mm		
Rückenlehnenwinkel	5°					
Rückenlehnenhöhe	420 mm					
Abstand zwischen Fußauflagen und Sitz	330 mm			500 mm		
Winkel zwischen Sitz und Fußplatte	5°			25°		
Winkel zwischen Sitz und Beine Fußauflagen	105°					
Winkel zwischen Beine Fußauflagen und Fußplatte	80°					
Abstand zwischen Armpolster und Sitz	195 mm			300 mm		
Länge der Armpolster zur Unterfahrbarkeit	335 mm			455 mm		
Greifreifendurchmesser	535 mm					
Horizontale Lage der Achse (Deflektion)	1,27 mm			61,04 mm		
Kleinster Wenderadius	1500 mm					
Durchmesser der PU-Hinterräder	22"			24"		
Reifendruck, Hinterräder (Antriebsräder)	max. 3,5 bar					
Durchmesser der PU-Lenkräder	200 mm					
Reifendruck, Lenkräder	max. 2,5 bar					

**DE**

Material Rahmen	Aluminium	
Material Polsterung	Nylon	
Temperaturbereich für Lagerung und Nutzung	5 °C	+41 °C
Luftfeuchtigkeitsbereich für Lagerung und Nutzung	30%	70%
Technische Änderungen vorbehalten. Messtoleranzen ± 15 mm / 1,5 kg / 1,5°		

Indice

Indice	1
Premessa	2
1 Il prodotto	3
1.1 Accessori	3
2 Prima dell'uso	4
2.1 Uso previsto	4
2.2 Istruzioni generali di sicurezza	4
2.3 Simboli presenti sulla carrozzina.....	4
2.4 Trasporto.....	5
2.5 Chiusura / Apertura	7
2.6 Magazzinaggio	7
3 Uso della carrozzina	8
3.1 Montaggio o rimozione dei poggiatesta.....	8
3.2 Utilizzo dei freni.....	8
3.3 Montaggio o rimozione dei braccioli	9
3.4 Regolazione dei bracciolo	9
3.5 Regolazione delle routine antiribaltamento	10
3.6 Montaggio o rimozione della barra di spinta.....	10
3.7 Altezza della maniglia di spinta	11
3.8 Trasferimento della carrozzina all'interno e all'esterno.....	11
3.9 Utilizzo della carrozzina	11
4 Manutenzione	14
4.1 Punti di manutenzione.....	14
4.2 Istruzioni per la manutenzione	14
4.3 Soluzione dei problemi di funzionamento.....	15
4.4 Durata prevista.....	15
4.5 Utilizzi successivi	15
4.6 Fine vita	15
5 Specifiche tecniche	16

Premessa

Congratulazioni! Ora possiede una carrozzina Vermeiren!

Questa carrozzina è realizzata da personale qualificato e competente. Essa è progettata e prodotta secondo gli elevati standard di qualità garantiti da Vermeiren.

Grazie per la fiducia accordata ai prodotti Vermeiren. Questo manuale viene fornito come supporto per l'uso della carrozzina e delle sue opzioni operative. Leggerlo attentamente, in quanto aiuta a familiarizzarsi con il funzionamento, le prestazioni e le limitazioni della carrozzina.

Per eventuali ulteriori domande successive alla lettura di questo manuale, rivolgersi al proprio rivenditore specializzato, che sarà lieto di fornire un supporto.

Nota importante

Per garantire la propria sicurezza e prolungare la durata del prodotto, trattarlo con cura e farlo controllare e/o sottoporlo a manutenzione con regolarità.

Questo manuale rispecchia gli sviluppi più recenti del prodotto. Vermeiren si riserva il diritto di introdurre modifiche di questo tipo di prodotto senza alcun obbligo di adattare o sostituire i prodotti analoghi consegnati in precedenza.

Le immagini del prodotto vengono utilizzate per chiarire le istruzioni contenute nel manuale. I dettagli del prodotto raffigurato possono essere diversi da quelli del prodotto in uso.

Informazioni disponibili

Sul sito Web di Vermeiren, all'indirizzo <http://www.vermeiren.com/>, è sempre disponibile la versione più recente delle informazioni contenute in questo manuale. Visitare con regolarità tale sito per verificare l'esistenza di eventuali aggiornamenti.

Le persone ipovedenti possono scaricare la versione elettronica di questo manuale e farlo leggere da un software applicativo di sintesi vocale.



Manuale di istruzioni

Per l'utente e il rivenditore specializzato



Istruzioni di installazione

Per il rivenditore specializzato



Manuale di assistenza per le carrozzine

Per il rivenditore specializzato



Dichiarazione di conformità CE

1 Il prodotto

IT



1. Impugnature
2. Barra di spinta
3. Manopola a stella dell'altezza della maniglia
4. Schienale
5. Imbottitura dei braccioli
6. Braccioli
7. Sedile
8. Poggiapiedi
9. Pedane
10. Ruote direttrici (Ruote anteriori)
11. Freni
12. Ruote motrici (Ruote posteriori)
13. Corrimano
14. Leva di ribaltamento
15. Antiribaltamento
16. Crociera
17. Targhetta di identificazione

1.1 Accessori

I seguenti accessori sono disponibili per il modello V300DL:

- Cintura pelvica anteriore (B20)
- Tavolini
- Porta stampella

2 Prima dell'uso

2.1 Uso previsto

- Indicazioni e controindicazioni: L'occupante può controllare direttamente il movimento della carrozzina oppure farsi spingere da un accompagnatore. La carrozzina è destinata a persone anziane o a persone con difficoltà motorie o incapacità di deambulazione, ad esempio paralisi, amputazione, difetti o deformazioni degli arti inferiori, contratture o lesioni articolari, insufficienza cardiaca e cardiocircolatoria, disturbi dell'equilibrio, cachessia (deterioramento della massa muscolare), ... NON utilizzare la carrozzina se si soffre di disabilità fisiche o mentali in grado di mettere in pericolo sé o altri durante la guida della carrozzina. Consultare pertanto anzitutto il proprio medico e avere cura di trasmettere il suo parere al proprio rivenditore specializzato.
- Questa carrozzina è adatta per l'uso al coperto e all'aperto.
- Essa è progettata e realizzata esclusivamente per il trasporto/trasferimento di una (1) persona di peso non superiore a 130 kg. Essa non è viceversa progettata per il trasporto di merci od oggetti, né per qualunque uso diverso da quello descritto in precedenza.
- Utilizzare esclusivamente accessori e ricambi approvati da Vermeiren.
- Leggere tutte le informazioni tecniche di dettaglio e le limitazioni della carrozzina, riportate nel capitolo 5.
- La garanzia del prodotto presuppone un uso e una manutenzione normali del medesimo, come descritti in questo manuale. I danni al prodotto dovuti a uso improprio o manutenzione carente causano la decadenza della garanzia.

2.2 Istruzioni generali di sicurezza

 **ATTENZIONE** Rischio di lesioni e/o danni

Leggere e osservare le istruzioni contenute in questo manuale. In caso contrario, è possibile ferirsi o danneggiare la carrozzina.

Durante l'uso, tenere presenti le seguenti avvertenze generali:

- Non utilizzare la carrozzina se si è sotto l'effetto di alcool, farmaci o altre sostanze in grado di influire sulle proprie capacità di manovra.
- Non dimenticare che alcune parti della carrozzina possono diventare molto calde o fredde a causa della temperatura ambiente, della radiazione solare o di dispositivi di riscaldamento. Prestare attenzione quando si tocca la console. In condizioni climatiche fredde, indossare indumenti protettivi. In caso di uso all'aperto, è possibile utilizzare guanti da equitazione per migliorare la presa sui corrimani.
- Non modificare in alcun modo la carrozzina.

Tieni presente che il tuo carrozzina potrebbe interferire con qualche sistema di antifurto, a seconda delle impostazioni utilizzate ciò potrebbe fra scattare l'allarme del negozio.

Nel caso in cui si sia verificato un grave incidente con il vostro prodotto, informate Vermeiren o il vostro rivenditore specializzato e l'autorità competente del vostro paese.

2.3 Simboli presenti sulla carrozzina



Peso massimo dell'utente, in kg



Uso al coperto / all'aperto



Pendenza massima di sicurezza, in ° (gradi).



Indicazione del modello

2.4 Trasporto



2.4.1 Trasporto su veicoli, come bagaglio



AVVERTENZA

Rischio di lesioni

- Controllare che la carrozzina sia fissata in modo adeguato, per evitare lesioni ai passeggeri in caso di collisioni o frenate brusche.
 - NON utilizzare la stessa cintura di sicurezza per il passeggero e per la carrozzina.
1. Rimuovere i poggiatesta, braccioli e gli accessori.
 2. Conservare i pedane, braccioli e gli accessori in un posto sicuro.
 3. Se possibile ripiegare la carrozzina e rimuovere le ruote posteriori.
 4. Sistemare la carrozzina nel portabagagli.
 5. Se lo scomparto della carrozzina e del passeggero NON sono separati, collegare il telaio della carrozzina in modo saldo al veicolo. È possibile utilizzare le cinture di sicurezza disponibili nel veicolo.

2.4.2 Uso della carrozzina quale sedile su un'autovettura



AVVERTENZA

Rischio di lesioni

- La carrozzina ha passato il test dell'ISO 7176-19: 2008 e, per questo, è stata disegnata e testata per essere utilizzata quale sedile su un'autovettura, rivolti in direzione di marcia.
- La cintura pelvica della carrozzina non è da utilizzarsi come da cintura di sicurezza.

La carrozzina è testata utilizzando un sistema tirante a quattro punti e un sistema di contenimento per il paziente a tre punti.

Quando però possibile, usare il sedile del veicolo e porre la carrozzina dietro il sedile o nel bagagliaio.

Istruzioni per fissare la carrozzina quale sedile in un'autovettura:

1. Controllare che il veicolo sia dotato di un sistema di fissaggio per carrozzina e di cinture di sicurezza, conforme alla legge ISO 10542.
2. Controllare che i componenti del sistema di fissaggio per carrozzine e le cinture di sicurezza non siano danneggiati, rotti, sfilacciati o rovinati.
3. Se dotata di un sedile regolabile e/o schienale reclinabile, assicurarsi che l'utilizzatore della carrozzina sia seduto in posizione il più eretta possibile. Se le condizioni del paziente non lo consentono, bisognerebbe valutare i rischi per evitare pericoli per il paziente durante il trasporto.
4. Rimuovere tutti gli accessori montati come ad esempio equipaggiamenti respiratori o vassoi, e riporli in un posto sicuro.
5. Posizionare la carrozzina nella stessa direzione di marcia, al centro dei binari montati sul pavimento del veicolo, fissando la carrozzina.
6. Assicurarsi che le zone indicate intorno alla carrozzina siano lontane dalle parti rigide del veicolo.

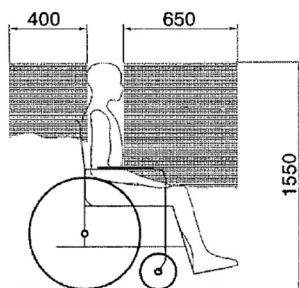


Figura 1

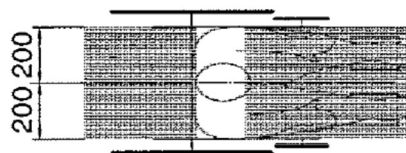


Figura 2

7. Montare le cinture di sicurezza anteriori seguendo le istruzioni del costruttore del sistema di passanti, fino al punto indicato (figura 3). Questo punto è segnato con un simbolo (figura 4).
8. Tirare la carrozzina finché le cinture anteriori non sono tese.
9. Applicare i freni della carrozzina.
10. Montare le cinture di sicurezza posteriori seguendo le istruzioni del costruttore del sistema di passanti, fino al punto indicato (figura 3). Questo punto è segnato con un simbolo (figura 4).

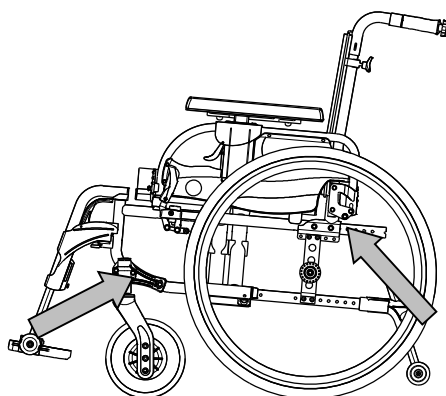


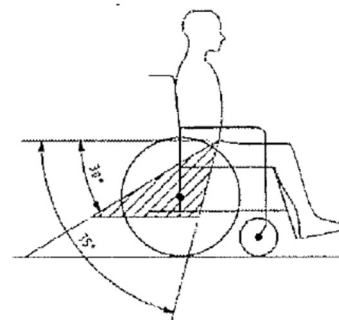
Figura 3



Figura 4

Istruzioni per la sicurezza del paziente:

1. Rimuovere entrambi i braccioli.
2. Se presente, allacciare la cintura pelvica della carrozzina.
3. Allacciare la cintura di sicurezza del paziente seguendo le istruzioni del costruttore del sistema di passanti.
4. Indossare la cintura pelvica da una parte all'altra del bacino, in modo che l'angolo della cintura sia entro la zona dai 30° ai 75° dal piano orizzontale, come mostrato in figura.
5. È preferibile raggiungere un angolo maggiore per la zona indicata.
6. Stringere la cintura come da istruzioni del costruttore del sistema di passanti, secondo il comfort del paziente.
7. Assicurarsi che la cintura di sicurezza sia attaccata in linea retta al punto di ancoraggio nel veicolo e che nessuna piega sia visibile nella cintura, ad esempio nell'asse della ruota posteriore.
8. Assicurarsi che le cinture non siano attorcigliate o costrette lontano dal corpo a causa di componenti della carrozzina come braccioli o ruote.



LA CINTURA PELVICA DEVE ESSERE BEN FISSATA AL CORPO NELLA PARTE FRONTALE



LE CINTURE DI SICUREZZA DEVONO ESSERE BEN FISSATE AL CORPO (NON AI BRACCIOLI O RUOTE)



2.5 Chiusura / Apertura



ATTENZIONE

Rischio di lesioni

Allontanare le dita dalle parti mobili della carrozzina.

2.5.1 Apertura della carrozzina

1. Posizionarsi dietro la carrozzina.
2. Utilizzare le impugnature per aprire la carrozzina il più possibile.
3. Posizionarsi davanti alla carrozzina.
4. Premere entrambi i profilati tubolari della seduta verso il basso fino a quando non risultano fissati nella posizione corretta.

2.5.2 Chiusura della carrozzina

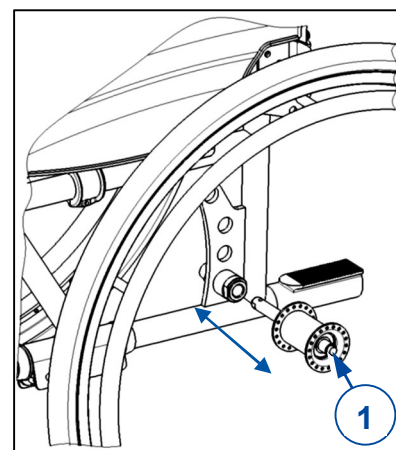
1. Ripiegare pedane o rimuovere le poggiatesta (vedere la sezione § 3.1).
2. Afferrare il sedile dalla parte anteriore e dallo schienale e tirarlo verso l'alto.

2.5.3 Montaggio delle ruote posteriori

1. Afferrare la ruota posteriore e premere il pulsante ①.
2. Tenere premuto il pulsante e montare l'asse delle ruote posteriori fino al punto d'arresto.
3. Rilasciare il pulsante.
4. Verificare che la ruota sia fissata.

2.5.4 Smontare le ruote

1. Accertarsi i freni siano in posizione corretta.
2. Impugnare la carrozzina dal telaio laterale dove si desidera rimuovere la ruota.
3. Premere il pulsante ① al centro del mozzo della ruota.
4. Estrarre la ruota dal telaio.



2.6 Magazzinaggio



Avere cura di immagazzinare la carrozzina in un ambiente asciutto, per evitare la formazione di muffa o danni alla selleria; vedere inoltre il capitolo 5.

3 Uso della carrozzina


AVVERTENZA

Rischio di lesioni

- Leggere anzitutto il capitolo precedente per familiarizzarsi con l'uso previsto. **NON** utilizzare la carrozzina senza avere letto e compreso a fondo tutte le istruzioni.
- In caso di dubbi o domande, non esitare a rivolgerti al proprio rivenditore specializzato di zona, al proprio fornitore di cure sanitarie o a un consulente tecnico per un aiuto al riguardo.

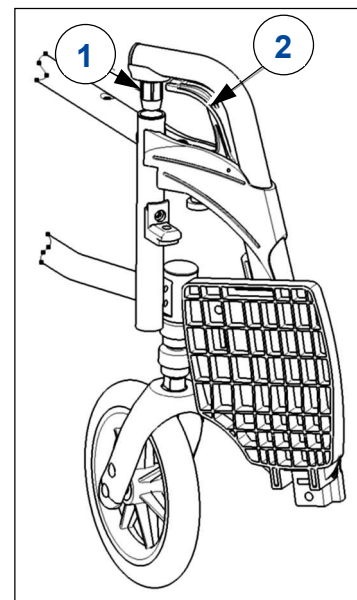
3.1 Montaggio o rimozione dei poggiatesta

Montare i poggiatesta nel modo seguente:

1. Reggere il poggiatesta lateralmente dalla parte esterna del telaio della carrozzina e montare la chiusura del tubo ① sul telaio.
2. Ruotare della pedana verso l'interno fino a quando non scatta nella posizione corretta.
3. Ruotare la pedana verso il basso.

Per rimuovere i poggiatesta:

1. Premere sulla leva ②.
2. Ruotare il poggiatesta verso l'esterno della carrozzina finché non si sgancia dalla guida.
3. Sfilare la pedana dalla chiusura del profilato tubolare ①.



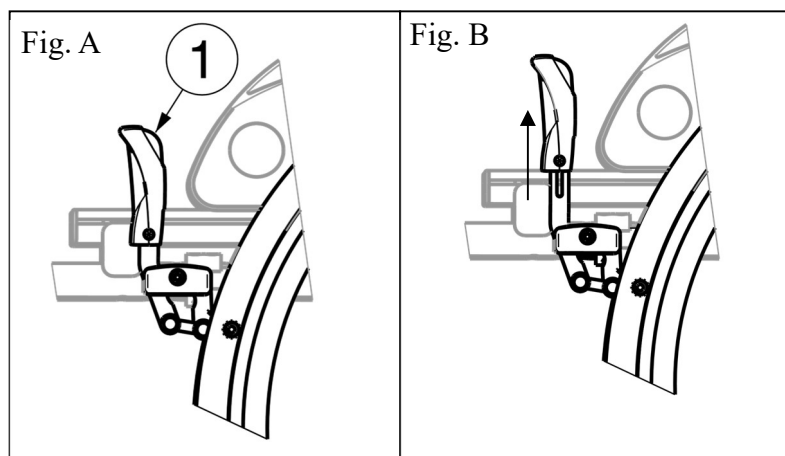
3.2 Utilizzo dei freni


ATTENZIONE

Rischio di lesioni

- Non utilizzare i freni per rallentare la carrozzina durante la marcia, utilizzarli solo per prevenire movimenti indesiderati della carrozzina.
- Sull'adeguato funzionamento dei freni incidono l'usura e la mancanza di pulizia delle ruote, ad esempio presenza di acqua, olio o fango. Verificare le condizioni delle ruote prima di ogni utilizzo.
- I freni sono regolabili e possono usurarsi. Verificare il funzionamento dei freni prima di ogni utilizzo.
- Accertarsi che la carrozzina sia su una superficie piana prima di rilasciare i freni. Non rilasciare mai entrambi i freni contemporaneamente.

Per ridurre l'attrito del freno è possibile estendere la leva del freno (Fig B).



Per frenare (Fig. A):

1. Spingere le impugnature dei freni in avanti fino a sentire un clic distinto.

Per rilasciare i freni:

1. Rilasciare un freno tirando l'impugnatura all'indietro.
2. Reggere il corrimano della ruota di rilascio con la mano.
3. Rilasciare l'altro freno tirando le impugnature all'indietro.

3.3 Montaggio o rimozione dei braccioli

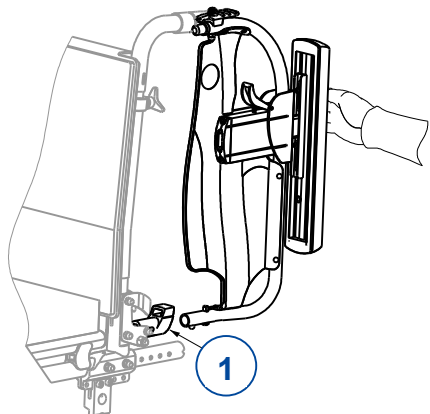

ATTENZIONE

Rischio di lesioni

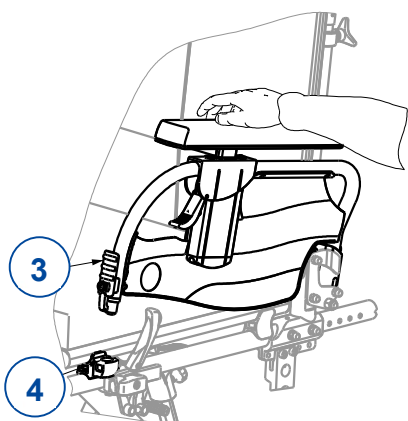
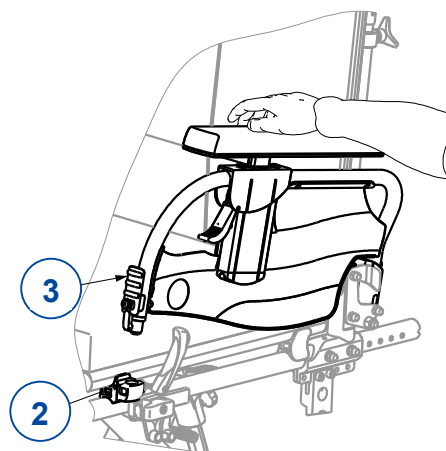
- Tenere le dita, le fibbie e gli indumenti lontani dalla parte laterale del poggibraccia.

IT

I poggibraccia della carrozzina possono essere montati seguendo le istruzioni seguenti.



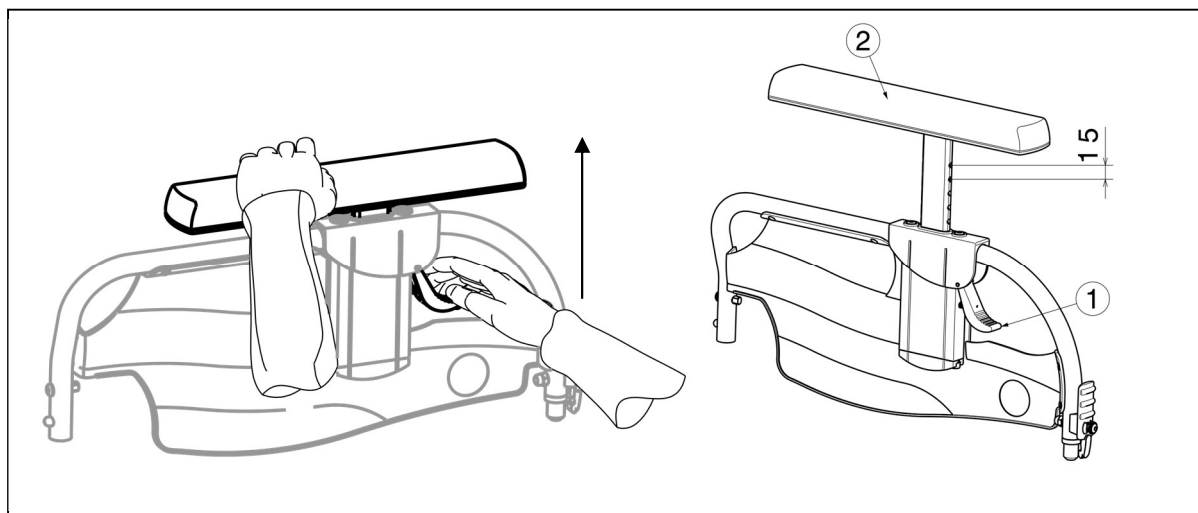
1. Montare il tubo posteriore del bracciolo sul coperchio del tubo (1).
2. Accertarsi che il poggibraccia scatti nel meccanismo di blocco.
3. Piegare in avanti il bracciolo.
4. Far scattare il tubo anteriore del bracciolo sul coperchio del tubo (2).



Per aprire e rimuovere il bracciolo:

1. Premere la leva (3) e tirare la parte anteriore del bracciolo verso l'alto.
2. Piegare all'indietro il bracciolo.
3. Per rimuovere il poggibraccia, premere il pulsante (4) e tirare la parte posteriore del poggibraccia dal coperchio del tubo (1).

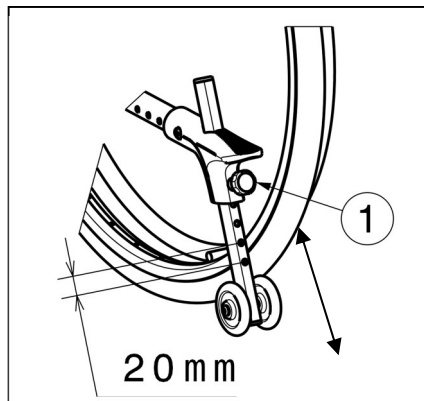
3.4 Regolazione dei bracciolo



È possibile regolare il bracciolo della carrozzina in altezza e in profondità in 8 posizioni (range 105 mm da 15 mm).

1. Spingere la leva ①.
2. Regolare l'imbottitura del bracciolo ② nell'altezza desiderata.
3. Rilasciare la leva ①.
4. Verificare che il bracciolo ② sia fissato saldamente.

3.5 Regolazione delle routine antiribaltamento



Regolare l'altezza delle ruote antiribaltamento come indicato di seguito in 7 posizioni (intervallo di 120 mm: con incrementi di 20 mm):

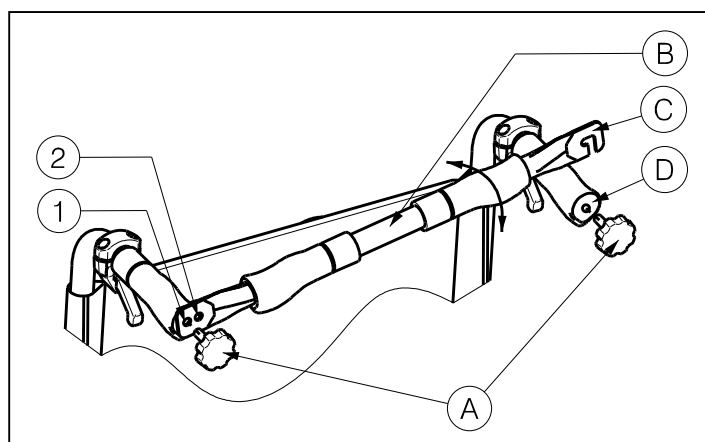
1. Allentare leggermente la manopola a stella ①.
2. Spostare il profilato tubolare dell'antiribaltamento nella altezza desiderata.
3. Fissare la manopola a stella ①.
4. Verificare che la ruota antiribaltamento sia fissata saldamente.

3.6 Montaggio o rimozione della barra di spinta


AVVERTENZA

Rischio di lesioni

- Accertarsi che le manopole (A) siano fissate saldamente.
- Se presente, assicurarsi che la barra di spinta sia montata per aumentare la stabilità dello schienale della carrozzina.



Per montare la barra di spinta:

1. Montare la barra di spinta (B) con la manopola a stella (A) nell'impugnatura sinistra.
2. Ruotare la barra di spinta (B) verso destra.
3. Montare il morsetto (C) sull'impugnatura destra (D) come mostrato nel disegno. Utilizzare i fori ① e ② per regolare la tensione dello schienale.

Per rimuovere la barra di spinta:

1. Allentare la manopola (A) a stella sull'impugnatura destra.
2. Rimuovere il morsetto (C) dall'impugnatura destra (D).

3.7 Altezza della maniglia di spinta

Le maniglie di spinta possono essere regolate in modo continuo su una distanza di 60 mm:

1. Allentare la vite (1) .
2. Spostare la maniglia su e giù sino all'altezza desiderata.
3. Riavvitare la vite (1) .
4. Ripetere l'operazione dall'altro lato. Assicurarsi che entrambe le maniglie siano perfettamente chiuse.

**IT**

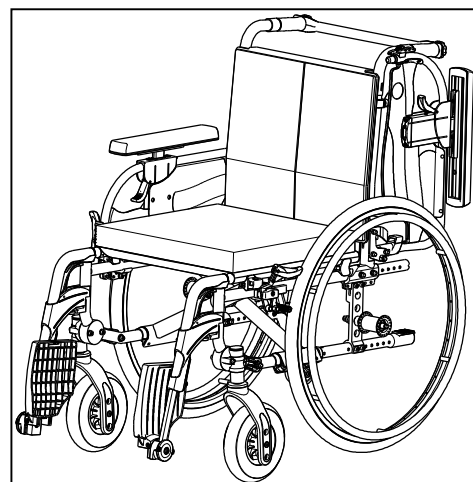
3.8 Trasferimento della carrozzina all'interno e all'esterno

**ATTENZIONE**

Rischio di lesioni

- Nel caso in cui non si riesca a eseguire il trasferimento in modo sicuro, chiedere assistenza.
- Non stare in piedi sui pedane.

1. Posizionare la carrozzina il più vicino possibile alla sedia, alla poltrona o al letto verso il quale si desidera trasferire il paziente.
2. Verificare che entrambi i freni della carrozzina siano attivati.
3. Ripiegare le pedane verso l'alto per evitare di reggersi in piedi sopra di esse.
4. Se il trasferimento avviene dalla parte laterale della carrozzina, rimuovere il bracciolo (vedere 3.3) e piegare la leva del freno verso il basso.
5. Trasferire il paziente da/verso la carrozzina.



3.8.1 Posizione corretta della carrozzina

Alcuni consigli per un utilizzo confortevole della carrozzina:

- Posizionare la parte posteriore il più vicino possibile allo schienale.
- Accertarsi che le cosce siano in posizione orizzontale, se necessario regolare la lunghezza dei poggiatesta (vedere il manuale di installazione).

3.9 Utilizzo della carrozzina

**ATTENZIONE**

Rischio di lesioni e danni

- Prima di ogni utilizzo, verificare che:
 - i freni di parcheggio funzionino correttamente.
 - gli pneumatici siano in buone condizioni; vedere il § 4.
- Avere cura di evitare che le dita restino impigliate nei raggi delle ruote.
- Non azionare i corrimani con le mani bagnate.
- Quando si attraversano passaggi stretti, prestare attenzione a non schiacciarsi le mani sui corrimani.
- NON effettuare spostamenti su superfici inclinate, ostacoli, gradini o cordoli di dimensioni superiori a quelle specificate nel § 5.
- Quando ci si ferma su una superficie (poco) inclinata, utilizzare i freni.
- Quando si procede in salita o in discesa su superfici inclinate, accertarsi che tutte e quattro le ruote siano a contatto con il suolo.
- Affrontare le superfici alla minima velocità possibile.
- Quando si percorrono strade pubbliche, rimanere sempre sul marciapiede.
- Prestare attenzione quando si procede su strade con buche o fessure in cui le ruote possano incastrarsi.
- Evitare sassi o altri oggetti in grado di bloccare le ruote.
- Quando si affronta un ostacolo, accertarsi che le pedane non tocchino terra.

- Non utilizzare la carrozzina sulle scale mobili.
- Se disponibile, indossare la cintura di sicurezza.
- Tenere sempre conto del raggio di rotazione della pedana, per evitare di causare lesioni alle persone o danni materiali.
- Se non si possiede sufficiente esperienza di uso della carrozzina, chiedere aiuto a un assistente. Tenere le braccia lontane dalle ruote e i piedi sulla pedana.
- Le scale devono sempre essere affrontate con l'aiuto di due assistenti.
- Non tentare mai di utilizzare scale inadatte alle carrozzine.

3.9.1 Uso della carrozzina:

1. Rilasciare i freni.
2. Afferrare entrambi i corrimani nel punto più alto.
3. Inclinare il busto in avanti e spingere in avanti i corrimani, fino a quando le braccia sono distese.
4. Riportare le mani nel punto più alto dei corrimani e ripetere il movimento.

3.9.2 Spostamento sulle pendenze



AVVERTENZA

Rischio di lesioni

- Spostarsi sulle pendenze il più lentamente possibile.
- Se l'accompagnatore non ha forza sufficiente a controllare la carrozzina, attivare i freni.
- Inclinarsi in avanti per spostare il baricentro in avanti. Per migliorare la stabilità.



1. Se disponibile sulla carrozzina, indossare la cintura di sicurezza.
2. Non tentare di spostarsi su pendenze troppo ripide. Le pendenze massime (in discesa e in salita) sono riportate nella tabella 1.
3. Chiedere all'accompagnatore un aiuto per spostarsi in pendenza.
4. Inclinarsi in avanti per spostare il baricentro in avanti.

3.9.3 Affrontare gradini e scalini



AVVERTENZA

Rischio di lesioni

- Se non si possiede sufficiente esperienza con la carrozzina, richiedere assistenza a un accompagnatore.

Scendere da gradini e scalini



È possibile scendere da piccoli scalini spostandosi in avanti. Accertarsi che le pedane non tocchino il suolo.

Un utente esperto può affrontare da solo piccoli gradini o scalini:

1. Spostare l'equilibrio sulle ruote posteriori per ridurre la pressione sulle ruote anteriori.
2. Affrontare gli scalini.

Gli scalini più alti possono essere superati con un accompagnatore:

1. Chiedere all'accompagnatore di inclinare la carrozzina leggermente all'indietro.
2. Superare i gradini procedendo sulle ruote posteriori.
3. Riportare la carrozzina sulle quattro ruote.

Un utente esperto è in grado di affrontare gli scalini da solo. È preferibile procedere all'indietro.



1. Ruotare la carrozzina in modo che le ruote posteriori siano di fronte allo scalino.
2. Inclinarsi in avanti per spostare il baricentro in avanti.
3. Portare la carrozzina vicino agli scalini.
4. Con il corrimano far scendere la carrozzina dallo scalino controllandola.

IT

Salire su gradini e scalini

Salire su gradini e scalini con un accompagnatore nel modo seguente:



1. Fare in modo che le pedane non tocchino lo scalino.
2. Chiedere all'accompagnatore di inclinare la carrozzina all'indietro, in modo sufficiente per consentire alle ruote anteriori di superare lo scalino.
3. Inclinarsi all'indietro per spostare il baricentro sulle ruote posteriori.
4. Portare le ruote anteriori sullo scalino.
5. Far rotolare le ruote posteriori oltre lo scalino.

Gli scalini più alti vanno affrontati all'indietro:

1. Ruotare la carrozzina in modo che le ruote posteriori siano di fronte allo scalino.
2. Inclinarsi all'indietro per spostare il baricentro sulle ruote posteriori.
3. Chiedere all'accompagnatore di spingere la carrozzina verso lo scalino.
4. Assumere nuovamente la posizione normale nella carrozzina.

Un utente esperto è in grado di affrontare gli scalini più alti da solo.



1. Arrivare agli scalini.
2. Accertarsi che le pedane non tocchino gli scalini.
3. Inclinarsi all'indietro per essere in equilibrio sulle ruote posteriori.



4. Portare l'equilibrio delle ruote anteriori oltre gli scalini.
5. Piegarsi in avanti per una maggiore stabilità.
6. Portare le ruote posteriori oltre gli scalini.

3.9.4 Fare le scale


AVVERTENZA

Rischio di lesioni

- È possibile fare le scale facendosi assistere sempre da due accompagnatori.

È possibile fare le scale nella carrozzina, adottando le regole che seguono:

1. Far inclinare la carrozzina leggermente all'indietro all'accompagnatore.
2. Il secondo accompagnatore deve afferrare la parte anteriore del telaio.
3. Mantenere la calma, evitare movimenti improvvisi e tenere le braccia all'interno della carrozzina.
4. Fare le scale sulle ruote posteriori della carrozzina.

4 Manutenzione

4.1 Punti di manutenzione

**ATTENZIONE**

Rischio di lesioni e danni

Riparazioni e sostituzioni devono essere eseguite esclusivamente da personale con un'opportuna formazione e utilizzando unicamente ricambi originali Vermeiren.

i La frequenza dell'assistenza dipende dalla frequenza e dall'intensità dell'uso. Concordare con il proprio rivenditore un calendario comune per le attività di ispezione / manutenzione / riparazione.

Per il manuale di manutenzione consultate il sito web Vermeiren: www.vermeiren.com.

Prima di ciascun utilizzo

Verificare i seguenti punti:

- Tutti i componenti: presenza, integrità e assenza di usura.
- Tutti i componenti: pulizia, vedere il § 4.2.2.
- Ruote, schienale, sedile, poggiatesta, braccioli e pedane: fissaggio corretto.
- Condizioni delle ruote / degli pneumatici: vedere il § 4.2.1;
- Condizioni dei componenti del telaio: assenza di deformazioni, instabilità, punti deboli o raccordi allentati
- Sedile, schienale, poggiatesta (se presente) e imbottiture di braccioli e poggiatesta: assenza di usura eccessiva (come ammaccature, danni o lacerazioni).
- Freni: integri e funzionanti.

Rivolgersi al proprio rivenditore specializzato per le riparazioni o i ricambi eventualmente necessari.

Annualmente o con maggiore frequenza

Almeno una volta all'anno, o con maggiore frequenza, richiedere al proprio rivenditore specializzato un intervento di ispezione e manutenzione della carrozzina. La frequenza minima di manutenzione dipende dall'uso, e deve pertanto essere concordata con il proprio concessionario autorizzato.

4.2 Istruzioni per la manutenzione

4.2.1 Ruote e pneumatici

i Il funzionamento corretto dei freni dipende dallo stato degli pneumatici, e può variare a seconda dell'usura e dell'eventuale contaminazione (acqua, olio, fango e così via).

Tenere pulite le ruote da fili, capelli, sabbia e fibre.

Verificare il profilo degli pneumatici. Se la profondità del battistrada è inferiore a 1 mm, occorre sostituire gli pneumatici. A tale scopo, rivolgersi al proprio rivenditore specializzato.

Gonfiare ciascuno pneumatico alla pressione corretta (facendo riferimento all'indicazione riportata sul medesimo).

4.2.2 Pulizia

**ATTENZIONE**

Rischio di danni da umidità

- Non pulire la carrozzina con manichette o pulitrici ad alta pressione.

Strofinare tutti i componenti rigidi della carrozzina con un panno umido (non zuppo). Se necessario, utilizzare un detergente delicato, adatto per smalti e materiali sintetici.

È possibile pulire la selleria con acqua tiepida e un detergente delicato. Non utilizzare detergenti abrasivi per la pulizia.

4.2.3 Disinfezione

ATTENZIONE

Rischio di danni

- La disinfezione deve essere eseguita esclusivamente da personale con un'opportuna formazione. Consultare il proprio rivenditore specializzato.

IT

4.3 Soluzione dei problemi di funzionamento

Anche se si utilizza la carrozzina nel modo corretto, è comunque possibile che si verifichi un problema tecnico. In tal caso, rivolgersi al rivenditore specializzato della propria zona.



AVVERTENZA

Rischio di lesioni e di danni alla carrozzina

- NON riparare MAI personalmente la carrozzina nel tentativo di risolvere il problema.

I sintomi indicati di seguito possono segnalare un problema grave. Rivolgersi pertanto sempre al proprio rivenditore specializzato se si rileva una qualunque delle seguenti anomalie:

- Rumori strani;
- Usura irregolare del battistrada di uno pneumatico;
- Movimenti a scatti;
- Tendenza della carrozzina a deviare lateralmente;
- Gruppi ruota danneggiati o spezzati.

4.4 Durata prevista

La carrozzina ha una durata media prevista di 5 anni. Tale valore aumenta o diminuisce a seconda della frequenza di utilizzo, delle condizioni di guida e della manutenzione.

4.5 Utilizzi successivi

Prima di ogni utilizzo successivo, fare disinfettare, ispezionare e sottoporre a manutenzione la carrozzina secondo le istruzioni dei §4.1 e §4.2 .

4.6 Fine vita

A fine vita, occorre smaltire la carrozzina conformemente alla legislazione ambientale locale. Il modo migliore per farlo consiste nello smontare la carrozzina per agevolare il trasporto dei componenti riciclabili.

5 Specifiche tecniche

I termini tecnici riportati di seguito sono applicabili alla carrozzina con configurazione standard. Se vengono utilizzati altri tipi di pedane, braccioli o accessori, i valori in tabella saranno diversi.

Marchio	Vermeiren
Tipo	Carrozzina manuale
Modello	V300DL
Peso massimo dell'utilizzatore	130 kg

Descrizione	Dimensioni minime			Dimensioni massime		
Lunghezza complessiva con poggiatesta	1000 - 1040 mm					
Larghezza effettiva del sedile	390 mm	420 mm	440 mm	460 mm	480 mm	500 mm
Larghezza complessiva (in base alla larghezza del sedile)	600 mm	630 mm	650 mm	670 mm	690 mm	710 mm
Lunghezza ripiegata senza poggiatesta	810 mm					
Larghezza ripiegata	320 mm					
Altezza ripiegata (dipende dall'altezza del sedile)	890 mm - 990 mm					
Peso totale	18,8 kg					
Massa della parte più pesante	11 kg					
Peso delle parti smontabili o rimovibili	Poggiatesta: 1,70 kg; Braccioli: 2,20 kg; Ruote posteriori: 3,7 kg					
Stabilità statica in discesa	10° (in configurazione standard)					
Stabilità statica in salita	7° (in configurazione standard)					
Stabilità statica laterale	18° (in configurazione standard)					
Superamento degli ostacoli	60 mm					
Basculamento del sedile	0°			10°		
Profondità del sedile regolabile	440 mm			520 mm		
Altezza da terra del sedile	440 mm			530 mm		
Reclinazione dello schienale	5°					
Altezza regolabile dello schienale	420 mm					
Distanza regolabile tra pedana e sedile	330 mm			500 mm		
Angolazione tra sedile e pedana	5°			25°		
Inclinazione tra sedile e piatto pedana	105°					
Angolazione tra piatto pedana e pedana	80°					
Distanza tra imbottitura dei braccioli e sedile	195 mm			300 mm		
Posizione anteriore della imbottitura dei braccioli	335 mm			455 mm		
Diametro dei corrimano	535 mm					
Posizione orizzontale dell'asse (deflessione)	1,27 mm			61,04 mm		
Raggio di sterzata minimo	1500 mm					
Diametro delle ruote posteriori in PU	22"			24"		
Pressione di gonfiaggio pneumatici, ruote motrici/posteriori	Max. 3,5 bar					
Diametro delle ruote direttrici in PU	200 mm					



Pressione di gonfiaggio pneumatici, ruote diretrici	Max. 2,5 bar	
Materiale del telaio	Alluminio	
Materiale dell'imbottitura	Nylon	
Temperatura per utilizzo e conservazione	+ 5 °C	+ 41 °C
Umidità per utilizzo e conservazione	30%	70%
La casa produttrice si riserva il diritto di apportare modifiche tecniche. Tolleranza misurazioni ± 15 mm / 1,5 kg / 1,5° .		



Índice

Índice	1
Introducción	2
1 Su producto	3
1.1 Accesorios	3
2 Antes de su uso	4
2.1 Uso previsto	4
2.2 Instrucciones generales de seguridad.....	4
2.3 Símbolos presentes en la silla de ruedas.....	4
2.4 Transporte.....	5
2.5 Plegado / Desplegado.....	7
2.6 Almacenamiento	7
3 Utilizar la silla de ruedas	8
3.1 Montaje o desmontaje de los reposapiés.....	8
3.2 Accionamiento de los frenos	8
3.3 Montaje y desmontaje de los reposabrazos.....	9
3.4 Ajuste de los reposabrazos.....	9
3.5 Ajuste el antivuelco	10
3.6 Montaje o desmontaje de la barra de empuje	10
3.8 Traslado a la silla de ruedas y desde esta	11
3.9 Conducción de la silla de ruedas	11
4 Mantenimiento	15
4.1 Puntos de mantenimiento	15
4.2 Instrucciones de mantenimiento	15
4.3 Resolución de problemas.....	16
4.4 Vida útil prevista.....	16
4.5 Reutilizar	16
4.6 Fin de vida útil.....	16
5 Especificaciones técnicas	17

Introducción

¡Felicidades! Es usted el propietario de una silla de ruedas Vermeiren.

Esta silla de ruedas ha sido fabricada por personal experto y cualificado. Se ha diseñado y fabricado según los más altos estándares de calidad implementados por Vermeiren.

Le agradecemos su confianza en los productos Vermeiren. Le ofrecemos este manual para ayudarle en la utilización de su silla de ruedas y sus opciones de manejo. Léalo detenidamente. Le ayudará a familiarizarse con el manejo, las capacidades y limitaciones de su silla de ruedas.

Si todavía tiene alguna duda después de leer este manual, contacte con su distribuidor especializado, estará encantado de ayudarle.

Nota importante

Para garantizar su seguridad y prolongar la vida útil de su producto, cuídalo bien y asegúrese de realizar revisiones y mantenimientos de manera regular.

Este manual refleja los desarrollos más recientes del producto. Vermeiren se reserva el derecho a implementar cambios en este tipo de producto sin que ello suponga obligación alguna de adaptar o cambiar productos similares previamente entregados.

Las imágenes del producto están presentes para clarificar las instrucciones contenidas en este manual. Los detalles del producto mostrado pueden variar con su producto.

Información disponible

En nuestro sitio web <http://www.vermeiren.com/> siempre encontrará la versión más reciente de la información en este manual. Consulte este sitio web de manera regular para estar al tanto de posibles actualizaciones.

Las personas con discapacidad visual pueden descargarse la versión electrónica del manual y utilizar un software de síntesis de voz para poder oír su contenido.



Manual de instrucciones
Para el usuario y el distribuidor especializado



Instrucciones de instalación
Para el distribuidor especializado



Manual de mantenimiento para sillas de ruedas
Para el distribuidor especializado



Declaración CE de conformidad

1 Su producto



1. Empuñaduras
2. Barra de empuje
3. Empuñaduras ajustables en altura con pomo de Estrella
4. Respaldo
5. Almohadillas del reposabrazos
6. Reposabrazos
7. Asiento
8. Reposapiés
9. Paletas
10. Ruedas de dirección (Ruedas delanteras)
11. Frenos
12. Ruedas de tracción (Ruedas traseras)
13. Aros de propulsión
14. Tapón
15. Antivuelco
16. Cruceta
17. Placa de identificación

ES

1.1 Accesorios

La V300DL cuenta con los siguientes accesorios:

- Cinturón pélvico anterior (B20)
- Mesas
- Soporte de muletas

2 Antes de su uso

2.1 Uso previsto

- **Indicaciones y contraindicaciones:** El usuario puede autopropulsar la silla de ruedas o disponer de un acompañante que la empuje. La silla de ruedas está diseñada para personas mayores o personas con movilidad reducida o nula, así como personas con parálisis, pérdida de miembros, deformaciones o defectos en los miembros, articulaciones anquilosadas o dañadas, insuficiencias cardíacas o circulatorias, problemas de equilibrio, caquexia (atrofia muscular), ... NO utilizar la silla de ruedas sin un auxiliar si sufre de discapacidades físicas o mentales que puedan ponerle en riesgo a usted o a otras personas al conducir la silla de ruedas. Por tanto, consulte primero con su médico y asegúrese de que su distribuidor especializado esté al tanto de los consejos de su médico.
- Esta silla de ruedas es apta para su uso en interiores y exteriores.
- Esta silla de ruedas está diseñada y fabricada exclusivamente para transportar a una (1) persona con un peso máximo de 130kg. No está diseñada para transportar mercancías u objetos, o para otros usos que no sean los descritos anteriormente.
- Utilizar sólo accesorios y piezas de repuesto aprobadas por Vermeiren.
- Consulte todos los datos técnicos y las limitaciones de la silla de ruedas en el capítulo 5.
- La garantía de este producto se basa en el uso y mantenimiento normales descritos en este manual. La garantía se invalida si el producto sufre cualquier daño causado por un uso indebido o falta de mantenimiento.

2.2 Instrucciones generales de seguridad

 PRECAUCIÓN Riesgo de lesiones y daños

Lea y siga las instrucciones contenidas en este manual. De no seguirlas, puede acabar lesionándose a sí mismo, o acabar rompiendo la silla de ruedas.

Tener en cuenta las siguientes advertencias durante su utilización:

- No utilizar la silla de ruedas si ha consumido alcohol, medicamentos u otras sustancias que afecten la capacidad de conducir.
- Téngase en cuenta que ciertas partes de la silla de ruedas pueden llegar a calentarse o enfriarse demasiado a causa de la temperatura ambiente, la luz del sol o la calefacción. Téngase cuidado al tocar la silla de ruedas. Llevar ropa protectora cuando haga frío. Cuando salga al exterior, puede utilizar guantes protectores para mejorar el agarre de los aros propulsores.
- No modificar esta silla de ruedas de ningún modo.

Tenga en cuenta que su silla de ruedas puede interferir con algunos tipos de sistemas antirrobo, según la configuración utilizada. Esto puede hacer que se active la alarma de la tienda.

En caso de que se produzca un incidente grave con su producto, notifique a Vermeiren o a su distribuidor especializado, así como a la autoridad competente de su país.

2.3 Símbolos presentes en la silla de ruedas



Peso máximo del usuario en kg



Uso en interior/exterior



Pendiente máxima segura en ° (grados)



Tipo de modelo

2.4 Transporte

2.4.1 Transporte mediante vehículo como equipaje

ES

AVISO

Riesgo de lesiones

- Compruebe que la silla de ruedas está fijada correctamente para no hacer daño a los pasajeros en caso de colisión o frenada brusca.
 - No utilice NUNCA el mismo cinturón de seguridad para fijar la silla de ruedas y el pasajero.
1. Retire los reposapiés, reposabrazos y demás accesorios.
 2. Guarde de forma segura los reposapiés, los reposabrazos y demás accesorios.
 3. Si es posible, pliegue la silla de ruedas y retire las ruedas traseras.
 4. Coloque la silla de ruedas en el compartimento de equipajes.
 5. Si la silla de ruedas y el compartimento de los pasajeros NO están separados, sujete el armazón de la silla de ruedas firmemente al vehículo. Puede utilizar los cinturones de seguridad disponibles en el vehículo.

2.4.2 Uso de la silla de ruedas como asiento en un vehículo de motor



AVISO

Riesgo de lesiones

- La silla de ruedas ha superado con éxito la prueba de choque de la norma ISO 7176-19: 2008 como tal, ha sido diseñado y probado para usarlo solo como silla de cara al frente en un vehículo de motor.
- El cinturón pélvico de la silla de ruedas solo no es adecuado para un cinturón de sujeción del ocupante.

La silla se prueba mediante el sistema de cinturón de cuatro puntos y un sistema de restricción para los ocupantes de 3 puntos.

Siempre que sea posible, utilice el asiento del vehículo y guarde la silla en la zona de carga.

Medidas de seguridad para la silla en un vehículo:

1. Compruebe que el vehículo está equipado adecuadamente para amarrar una silla de ruedas y el sistema de retención para los ocupantes de acuerdo con la norma ISO 10542.
2. Compruebe que los raíles de amarre para la silla y el sistema de retención para los ocupantes, no están desgastados, contaminados, dañados o rotos.
3. Si está equipado con un asiento ajustable y/o inclinable, asegúrese de que el usuario está sentado lo más derecho posible. Si la condición del usuario impide esto, se deberá hacer una valoración del riesgo, para evaluar la seguridad del usuario durante el trayecto.
4. Retire todos los accesorios montados tales como bandejas y equipos respiratorios, y colóquelos en un lugar seguro.
5. Coloque la silla de caras a la dirección del viaje, céntrico entre los raíles de amarre montados en el suelo del vehículo.
6. Asegúrese que las zonas señaladas alrededor del usuario de la silla están despejadas de las partes rígidas del vehículo.

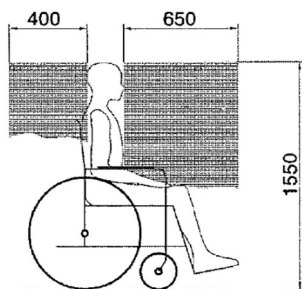


Figura 1

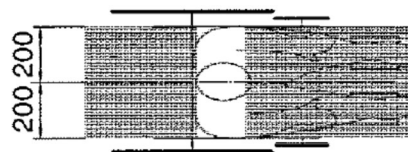


Figura 2

7. Monte las correas de sujeción frontal de acuerdo a las instrucciones del fabricante del sistema de la correa en el lugar indicado (figura 3). Este lugar está marcado en la silla de ruedas con un símbolo (figura 4).
8. Retroceda la silla hasta que las correas frontales estén apretadas.
9. Aplicar el freno de la silla de ruedas.
10. Monte las correas de sujeción traseras de acuerdo con las instrucciones del fabricante del sistema de correas en el lugar indicado (figura 3). Este lugar está marcado en la silla de ruedas con un símbolo (figura 4).

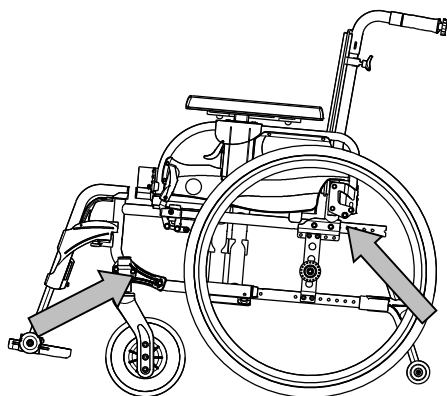


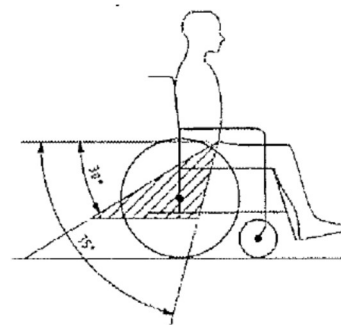
Figura 3



Figura 4

Medidas para asegurar el usuario de la silla de ruedas:

1. Saque los dos reposabrazos.
2. Si está presente ate el cinturón pélvico de la silla.
3. Ate los cinturones de sujeción del ocupante de acuerdo a las instrucciones del fabricante del sistema de correas.
4. Lleve el cinturón pélvico bajo a través de la parte delantera de la pelvis, de tal modo que el ángulo del cinturón pélvico está dentro de la zona preferencial de 30° a 75° respecto al horizontal, similar a lo mostrado abajo.
5. Un ángulo más pronunciado (mayor) dentro de la zona preferente es lo aconsejable.
6. Ajuste el cinturón asegurándolo bien de acuerdo a las inclinaciones del fabricante del sistema de correas, en consonancia a la comodidad del usuario.
7. Asegúrese que el cinturón de sujeción conecta en una línea recta al punto de anclaje en el vehículo y que no haya dobleces visibles, por ejemplo en el eje de la rueda trasera.
8. Instalar los reposabrazos, si lo desea. Asegúrese que los cinturones no están retorcidos o apartados del cuerpo por los componentes de la silla como los reposabrazos o las ruedas.



LAS SUJECCIONES PELVICAS TENDRIAN QUE ESTAR EN PIENO CONTACTO A TRAVES DE LA PARTE DELANTERA DEL CUERPO CERCA DE LA UNION DEL MUSIO Y LA PELVIS



LA SUJECCIONES NO TENDRIAN QUE MANTENERSE LEJOS DEL CUERPO POR LOS COMPONENTES DE LA SILLA COMO LOS REPOSACABEZAS O LA RUEDAS



2.5 Plegado / Desplegado



PRECAUCIÓN

Riesgo de lesiones

Mantenga los dedos alejados de las partes móviles de la silla de ruedas.

2.5.1 Desplegado de la silla de ruedas

1. Sitúese detrás de la silla de ruedas.
2. Use las empuñaduras para abrir la silla de ruedas tanto como le sea posible.
3. Sitúese delante de la silla de ruedas.
4. Empuje los dos tubos del asiento hacia abajo hasta que queden fijados en su posición.

2.5.2 Plegado de la silla de ruedas

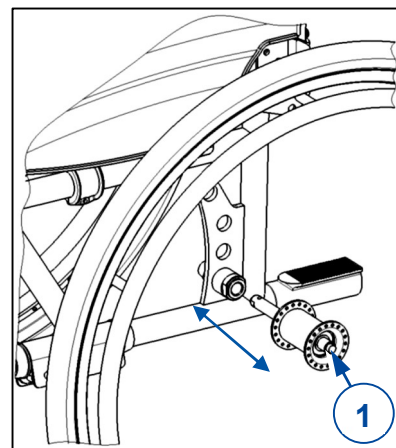
1. Pliegue las paletas o retire los reposapiés (véase § 3.1).
2. Sujete el asiento por la parte delantera y trasera y tire de él hacia arriba.

2.5.3 Montaje de las ruedas traseras

1. Sujete la rueda trasera y presione el botón (1).
2. Mantenga el botón presionado y monte el eje de las ruedas traseras hasta el tope.
3. Suelte el botón.
4. Compruebe que la rueda está segura.

2.5.4 Extracción de las ruedas

1. Asegúrese de que los frenos no están accionados.
2. Coloque la silla de ruedas del lado del armazón de la rueda que desea extraer.
3. Pulse el botón (1) situado en la parte central del cubo de la rueda.
4. Tire de la rueda para extraerla del chasis.



2.6 Almacenamiento



Asegurarse de que la silla de ruedas se almacena en un lugar seco para evitar la aparición de moho y que se dañe la tapicería; ver también el apartado 5.

3 Utilizar la silla de ruedas


AVISO

Riesgo de lesiones

- Leer antes los capítulos anteriores e informarse sobre el uso previsto. NO utilizar la silla de ruedas si no se han leído detenidamente y entendido completamente todas las instrucciones.
- En caso de tener dudas o preguntas, contacte con su distribuidor especializado local, proveedor de cuidados o asesor técnico para recibir asesoramiento.

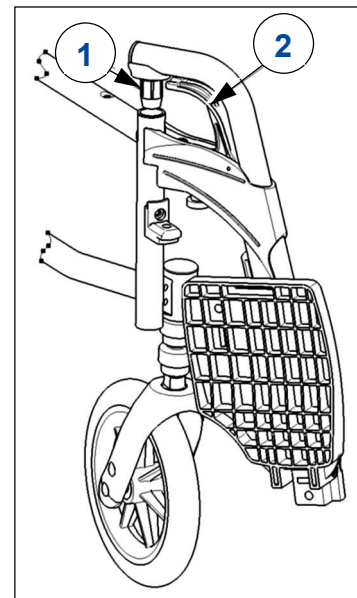
3.1 Montaje o desmontaje de los reposapiés

El montaje de los reposapiés se realiza del modo siguiente:

1. Mantenga el reposapiés en posición vertical por la parte externa del armazón de la silla de ruedas e inserte el capuchón del tubo (1) en el armazón.
2. Gire el reposapiés hacia el interior hasta que encaje en su posición con un clic.
3. Gire la paleta hacia abajo.

Para retirar los reposapiés:

1. Tire de la empuñadura (2).
2. Gire el reposapiés hacia la parte externa de la silla de ruedas hasta que se afloje de la guía.
3. Saque el reposapiés del capuchón del tubo (1).



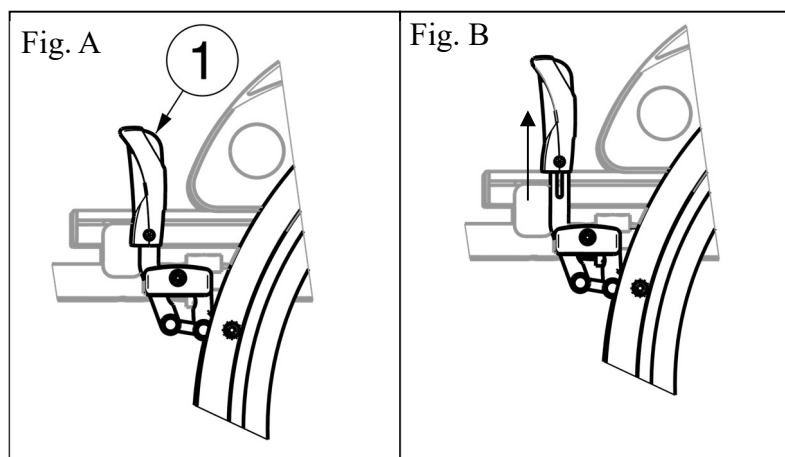
3.2 Accionamiento de los frenos


PRECAUCIÓN

Riesgo de lesiones

- Los frenos no se utilizan para reducir la velocidad de la silla de ruedas durante los movimientos. Utilice los frenos solo para evitar que la silla de ruedas realice movimientos no deseados.
- El buen funcionamiento de los frenos depende de su desgaste y de las sustancias presentes en ellas (agua, aceite, barro, etc.). Compruebe las condiciones de las ruedas antes de utilizarlas.
- Los frenos se pueden ajustar y pueden desgastarse. Compruebe el funcionamiento de los frenos antes de cada uso.
- Asegúrese de que la silla de ruedas está en una superficie plana horizontal antes de soltar los frenos. Nunca suelte ambos frenos a la vez.

Para reducir la fuerza de frenado es posible prolongar la palanca de freno (Fig B).



Para accionar los frenos (Fig. A):

1. Empuje las palancas del freno hacia delante hasta que oiga un clic.

Para soltar los frenos:

1. Tire de la palanca hacia atrás para soltar un freno.
2. Sujete el aro de propulsión de la rueda que haya soltado.
3. Tire de la palanca del segundo freno hacia atrás.

3.3 Montaje y desmontaje de los reposabrazos



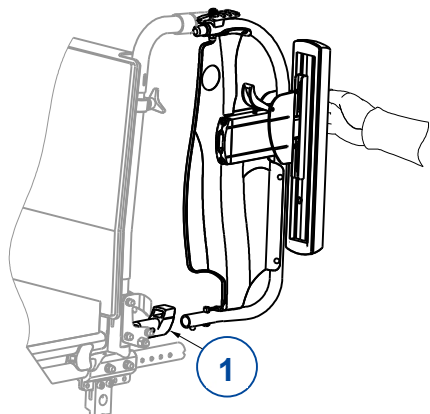
PRECAUCIÓN

Riesgo de lesiones

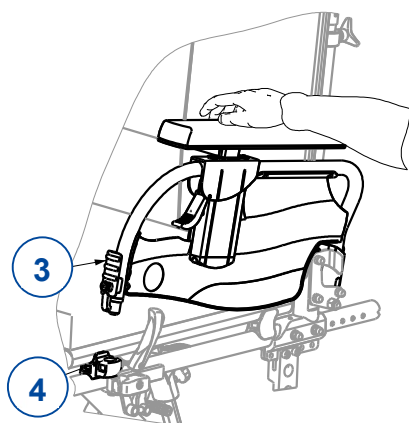
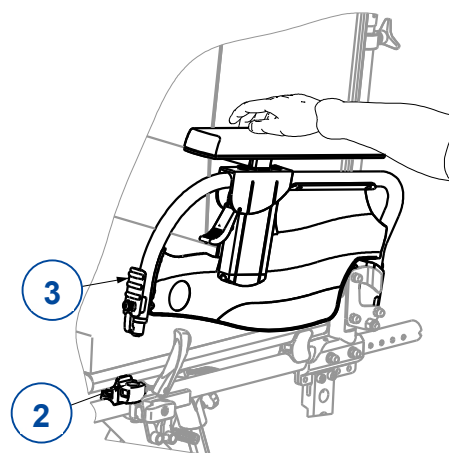
- Mantenga los dedos, las hebillas y la ropa alejados de la parte inferior del reposabrazos.

Los reposabrazos de la silla de ruedas pueden montaje con las instrucciones siguientes.

ES



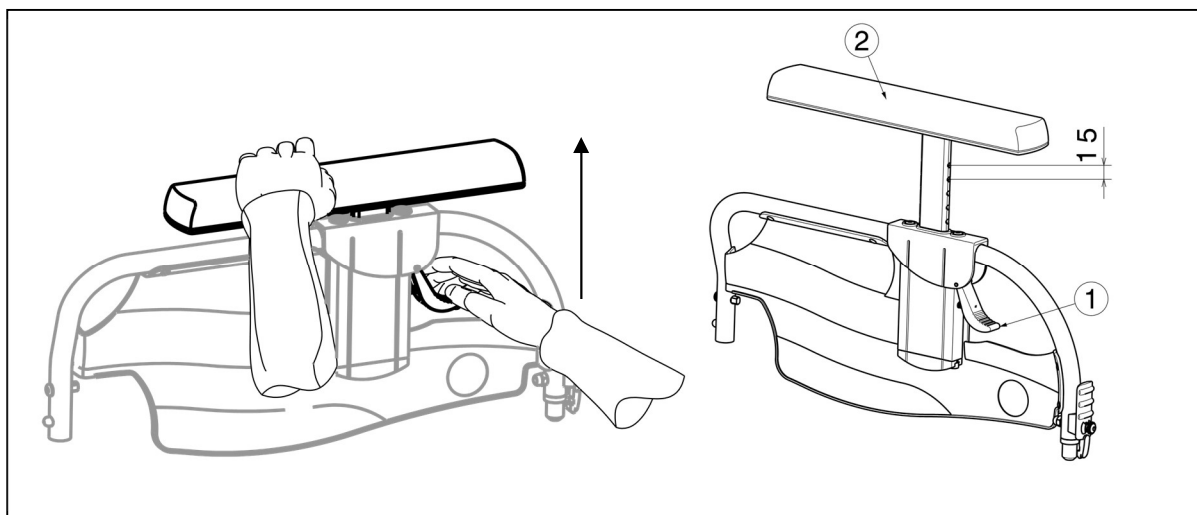
1. Monte el tubo posterior del reposabrazos en el capuchón del tubo (1).
2. Asegúrese de que el reposabrazos hace clic en el mecanismo de bloqueo.
3. Pliegue el reposabrazos hacia delante.
4. Inserte, hasta oír un clic, el tubo frontal del reposabrazos en el capuchón del tubo (2).



Para abrir y retirar el reposabrazos:

1. Presione la palanca (3) y tire de la parte delantera del reposabrazos hacia arriba.
2. Pliegue el reposabrazos hacia atrás.
3. Para retirar el reposabrazos, pulse el botón (4) y extraiga la parte posterior del reposabrazos del capuchón del tubo (1).

3.4 Ajuste de los reposabrazos

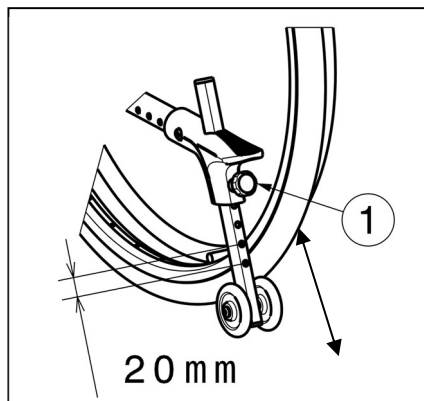


La altura del reposabrazos puede ajustarse en 8 posiciones (rango de 105 mm, intervalos de 15 mm).

1. Empuje la palanca ①.
2. Ajuste la almohadilla del reposabrazos ② a la altura que desee.
3. Afloje la palanca ①.
4. Compruebe que la almohadilla del reposabrazos ② esté bien colocada.

ES

3.5 Ajuste el antivuelco



Ajuste la altura del antivuelco de la siguiente manera en siete posiciones (distancia de 120 mm, a intervalos de 20 mm):

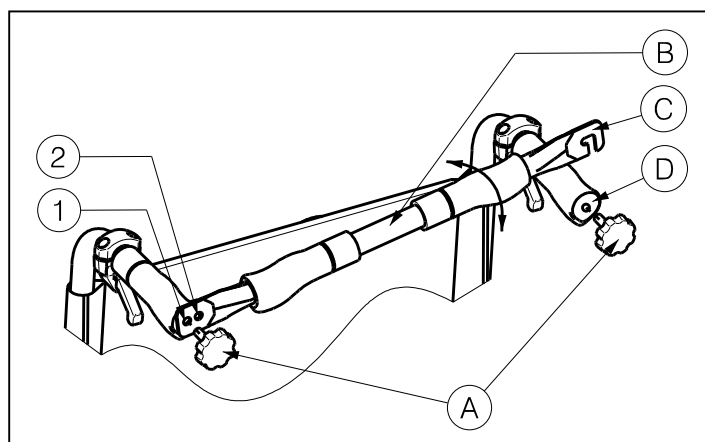
1. Afloje un poco el pomo de estrella ①.
2. Desplace el tubo del antivuelco hasta la altura que desee
3. Fíjelo con el pomo de estrella ①.
4. Compruebe que el antivuelco esté bien sujeto.

3.6 Montaje o desmontaje de la barra de empuje


ADVERTENCIA

Riesgo de lesiones

- Asegúrese de que los botones (A) están apretados.
- Cuando esté equipada con barra de empuje, ésta siempre deberá montarse para aumentar la estabilidad del respaldo.



Para montar la barra de empuje:

1. Monte la barra de empuje (B) con el pomo de estrella (A) en la empuñadura izquierda.
2. Gire la barra de empuje (B) hacia la derecha.
3. Monte el gancho (C) en la empuñadura derecha (D) tal y como se muestra en el dibujo. Utilice los agujeros ① o ② para ajustar la tensión del respaldo.

Para retirar la barra de empuje:

1. Afloje el pomo de estrella (A) de la empuñadura derecha.
2. Retire el gancho (C) de la empuñadura derecha (D).

3.7 Altura de las empuñaduras

Las empuñaduras se pueden ajustar a intervalos 60 mm:

1. Afloje el tornillo (1)
2. Mueva la empuñadura hacia arriba/abajo hasta alcanzar la altura deseada.
3. Vuelva a apretar el tornillo (1)
4. Repita los mismos pasos en la otra empuñadura. Asegúrese de que ambas empuñaduras están aseguradas con firmeza.

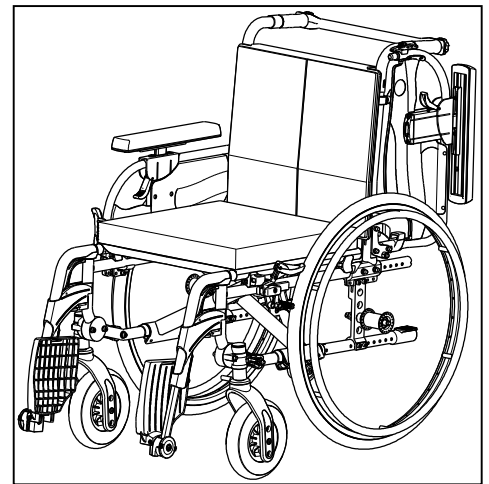
**ES**

3.8 Traslado a la silla de ruedas y desde esta

**PRECAUCIÓN**

Riesgo de lesiones

- En caso de que no pueda realizar el traslado de forma segura, pida a alguien que le ayude.
 - No se ponga de pie en las paletas.
1. Coloque la silla de ruedas lo más cerca posible de la silla, el sillón o la cama desde la que desea trasladarse o a la que desee ir.
 2. Compruebe que los dos frenos de la silla de ruedas estén accionados.
 3. Pliegue las paletas hacia arriba para evitar ponerse de pie en ellos.
 4. Si el traslado se realiza por el lateral de la silla de ruedas, retirar el reposabrazos de ese lado (véase §3.3) y presione hacia abajo la palanca de freno.
 5. Traslado a/desde la silla de ruedas.



3.8.1 Posición correcta en la silla de ruedas

Algunas recomendaciones para un uso cómodo de la silla de ruedas:

- Coloque la espalda lo más cerca posible del respaldo.
- Asegúrese de que la parte superior de las piernas se encuentre en posición horizontal. En caso necesario, ajuste la longitud de los reposapiés (véase el manual de instalación).

3.9 Conducción de la silla de ruedas

**PRECAUCIÓN**

Riesgo de lesiones y daños

- Antes de cada uso, asegurarse de que:
 - los frenos de estacionamiento funcionan adecuadamente.
 - los neumáticos están en buen estado, ver apartado 4.
- Tener cuidado de no pillarse los dedos con los radios de las ruedas.
- No manipular los aros propulsores con las manos mojadas.
- Tener cuidado de no pillarse las manos con los aros propulsores cuando esté atravesando espacios muy estrechos.
- NO conducir en pendientes o sobre obstáculos, escalones o bordillos que excedan las dimensiones que se detallan en el apartado 5.
- Cuando se detenga en una pendiente (no muy inclinada), utilizar los frenos.
- Asegurarse de que las cuatro ruedas están en contacto con el suelo cuando se esté subiendo o bajando una pendiente.
- A la hora de conducir en zonas de pendiente, hacerlo lo más despacio posible.
- Permanecer siempre en la zona pavimentada cuando se circule por vías públicas.
- Prestar atención a la carretera para detectar baches o grietas en los que puedan quedar atrapadas las ruedas.
- Evitar las piedras u otros objetos que puedan bloquear las ruedas.

- Asegurarse de que los reposapiés no chocan contra el suelo cuando esté atravesando un obstáculo.
- No utilizar la silla de ruedas en escaleras mecánicas.
- Si se dispone de él, abrocharse el cinturón de seguridad.
- Téngase siempre en cuenta el alcance de giro del reposapiés para evitar lesionar a otras personas o dañar objetos.
- Si no se tiene suficiente experiencia manejando la silla de ruedas, pedir ayuda a un auxiliar. Mantener los brazos alejados de las ruedas y los pies sobre el reposapiés.
- A la hora de atravesar escaleras, se debe contar siempre con la ayuda de dos auxiliares.
- No tratar nunca de utilizar escaleras que no estén diseñadas para sillas de ruedas.

3.9.1 Conducir la silla de ruedas:

1. Soltar los frenos.
2. Agarrar ambos aros propulsores desde el punto más alto.
3. Inclinarsse hacia adelante y empujar los aros propulsores hacia adelante hasta que sus brazos queden rectos.
4. Mover las manos de nuevo hacia la parte más alta de los aros y repetir el movimiento.

3.9.2 Desplazamiento por pendientes

**ADVERTENCIA**

Riesgo de lesiones

- Desplácese por las pendientes con la mayor lentitud posible.
- Si su acompañante no tiene fuerza suficiente para controlar la silla de ruedas, active los frenos.
- Inclínese hacia delante para desplazar el centro de gravedad hacia delante. Para tener una mejor estabilidad.



1. Si hay un cinturón de seguridad disponible en la silla de ruedas, abrócheselo.
2. No intente desplazarse por pendientes demasiado inclinadas. Los ángulos de pendiente máximos (ascendentes y descendentes) están indicados en la tabla 1.
3. Pida a un acompañante que le ayude a desplazarse por la pendiente.
4. Inclínese hacia delante para desplazar su centro de gravedad hacia delante.

3.9.3 Franqueo de peldaños y bordillos

**ADVERTENCIA**

Riesgo de lesiones

- Si no tiene suficiente experiencia con su silla de ruedas, pida ayuda a un acompañante.

Bajar peldaños y bordillos

Se pueden bajar bordillos pequeños desplazándose hacia delante. Asegúrese de que los reposapiés no tocan el suelo.



Los usuarios experimentados puede franquear peldaños y bordillos pequeños sin ayuda:

1. Mantenga el equilibrio sobre las ruedas traseras para reducir la presión sobre las ruedas delanteras.
2. Franquee el bordillo.

Salve los bordillos más altos con la ayuda de un acompañante:

1. Pida al acompañante que incline la silla de ruedas ligeramente hacia atrás.
2. Pase el bordillo desplazándose con las ruedas traseras.
3. Coloque la silla de ruedas de nuevo sobre las cuatro ruedas.

Los usuarios experimentados pueden franquear bordillos altos sin ayuda. Esta acción se realiza mejor de espaldas.



1. Gire la silla de ruedas de forma que las ruedas traseras queden orientadas al bordillo.
2. Inclínese hacia delante para desplazar su centro de gravedad hacia delante.
3. Desplace la silla de ruedas cerca del bordillo.
4. Use el aro de propulsión para hacer rodar la silla de ruedas desde el bordillo de manera controlada.

Subir peldaños y bordillos

Para subir peldaños y bordillos con la ayuda de un acompañante, haga lo siguiente:

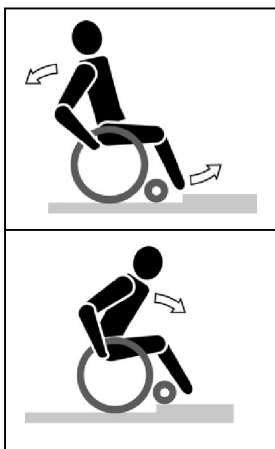


1. Evite que los reposapiés toquen el bordillo.
2. Pida al acompañante que incline la silla hacia atrás, lo suficiente para desplazar las ruedas delanteras por encima del bordillo.
3. Inclínese hacia atrás para desplazar su centro de gravedad sobre la rueda trasera.
4. Coloque las ruedas delanteras sobre el bordillo.
5. Haga girar las ruedas traseras de la silla de ruedas sobre el bordillo.

Los bordillos más altos se franquean de espaldas:

1. Gire la silla de ruedas de forma que las ruedas traseras queden orientadas al bordillo.
2. Inclínese hacia atrás y desplace su centro de gravedad sobre las ruedas traseras.
3. Pida al acompañante que tire de la silla sobre el bordillo.
4. Vuelva a la posición normal en la silla de ruedas.

Los usuarios experimentados pueden franquear bordillos sin ayuda:



1. Acérquese hasta el bordillo.
2. Asegúrese de que el reposapiés no toca el bordillo.
3. Inclínese hacia atrás de forma que mantenga el equilibrio sobre las ruedas traseras.
4. Haga rodar las ruedas delanteras manteniendo el equilibrio sobre el bordillo.
5. Inclínese hacia delante para mayor estabilidad.
6. Haga rodar las ruedas traseras sobre el bordillo.

3.9.4 Desplazamientos por escaleras

**ADVERTENCIA**

Riesgo de lesiones

- El desplazamiento por escaleras deberá realizarse siempre con 2 acompañantes.

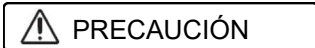
ES

Para desplazarse por las escaleras mientras está en una silla de ruedas, siga las instrucciones siguientes:

1. Un acompañante inclina la silla de ruedas ligeramente hacia atrás.
2. El segundo acompañante sujeta la parte frontal del chasis.
3. Mantenga la calma, evite los movimientos bruscos y mantenga los brazos dentro de la silla de ruedas.
4. Para desplazarse por las escaleras utilice las ruedas traseras de la silla.

4 Mantenimiento

4.1 Puntos de mantenimiento

**PRECAUCIÓN**

Riesgo de lesiones y daños

Cualquier reparación o cambios sólo pueden llevarse a cabo por personal debidamente cualificado y sólo pueden utilizarse piezas de recambio Vermeiren originales.

i La frecuencia de los mantenimientos depende de la frecuencia e intensidad de uso. Póngase en contacto con su distribuidor para acordar un horario común para realizar inspecciones, mantenimientos y reparaciones.

Para consultar el manual de mantenimiento, visite el sitio web de Vermeiren: www.vermeiren.com.

Antes de cada uso

Inspeccionar los siguientes aspectos:

- Todas las piezas: Presentes y sin daños o desgastes.
- Todas las piezas: Limpieza, ver apartado 4.2.2.
- Ruedas, respaldo, asiento, soportes para pantorrillas, reposabrazos, reposapiés: Bien asegurados.
- Estado de las ruedas/los neumáticos, ver apartado 4.2.1;
- Estado de las piezas del bastidor: Sin deformaciones, inestabilidad, debilidad o conexiones sueltas
- Asiento, respaldo, almohadillas para los brazos y para las pantorrillas, reposacabezas (si corresponde): Sin desgaste excesivo (como abolladuras, daños o grietas).
- Frenos: Sin deterioro y en buen estado de funcionamiento.

Póngase en contacto con el distribuidor especializado para posibles reparaciones o sustitución de piezas.

Anualmente o más regularmente

La silla de ruedas debe superar una inspección y una sesión de mantenimiento realizados por el distribuidor especializado por lo menos una vez al año, o con mayor frecuencia. La frecuencia mínima de mantenimiento depende del uso y debe, por tanto, acordarse mutuamente con el distribuidor especializado.

4.2 Instrucciones de mantenimiento

4.2.1 Ruedas y neumáticos

i El correcto funcionamiento de los frenos depende del estado de los neumáticos y puede cambiar debido al desgaste o la suciedad (agua, aceite, barro...).

Mantener las ruedas libres de cables, pelos, arena y fibras.

Comprobar el perfil de los neumáticos. Si la profundidad del dibujo es inferior a 1 mm, deben sustituirse los neumáticos. Ponerse en contacto con su distribuidor especializado a este respecto. Hinchar cada neumático hasta alcanzar la presión correcta (ver la indicación de presión en los neumáticos).

4.2.2 Limpieza



Riesgo de daños por humedad

No utilizar nunca una manguera o un limpiador a alta presión para limpiar la silla de ruedas.

Limpiar todas las piezas rígidas de la silla de ruedas con un paño húmedo (no empapado). Si fuera necesario, utilizar un jabón suave que sea apto para limpiar superficies barnizadas y sintéticas.

La tapicería puede limpiarse con agua templada y jabón suave. No utilizar productos de limpieza abrasivos.

ES

4.2.3 Desinfección

PRECAUCIÓN

Riesgo de daños

La desinfección sólo puede llevarla a cabo personal debidamente cualificado. Consultar con su distribuidor especializado al respecto.

4.3 Resolución de problemas

Aunque se utilice la silla de ruedas de la manera indicada, a veces pueden surgir problemas técnicos. En ese caso, póngase en contacto con su distribuidor especializado.

**AVISO**

Riesgo de lesiones y daños a la silla de ruedas

No intentar NUNCA reparar la silla de ruedas por su cuenta.

Los siguientes signos pueden ser indicadores de un problema grave. Se recomienda, por tanto, ponerse en contacto con su distribuidor especializado si nota los siguientes problemas:

- Ruidos extraños;
- Desgaste desigual de la banda de uno de los neumáticos;
- Movimientos bruscos;
- La silla de ruedas se desvía a un lado;
- Ensamblajes de las ruedas dañados o rotos.

4.4 Vida útil prevista

La vida útil media de la silla de ruedas es de 5 años. La vida útil aumentará o disminuirá dependiendo de la frecuencia de uso, las circunstancias de conducción y el mantenimiento.

4.5 Reutilizar

Antes de reutilizar la silla de ruedas, desinfectarla, inspeccionarla y hacer que pase por un mantenimiento según las instrucciones en el §4.1 y el §4.2.

4.6 Fin de vida útil

Al final de la vida útil, deberá desechar la silla de ruedas siguiendo las leyes medioambientales de su localidad. Para transportar materiales reciclables de la silla de ruedas de manera más cómoda, se recomienda que se desmonte primero.

5 Especificaciones técnicas

Las condiciones técnicas indicadas a continuación son válidas para sillas de ruedas de configuración estándar. En caso de utilizar reposapiés/reposabrazos u otros accesorios diferentes a los indicados, los valores cambian.

Marca	Vermeiren
Tipo	Silla de ruedas manual
Modelo	V300DL
Peso máximo del ocupante	130 kg

ES

Descripción	Dimensiones mínimas			Dimensiones máximas		
Longitud total con reposapiés	1000 - 1040 mm					
Anchura útil del asiento	390 mm	420 mm	440 mm	460 mm	480 mm	500 mm
Anchura total (depende de la anchura del asiento)	600 mm	630 mm	650 mm	670 mm	690 mm	710 mm
Longitud plegada sin reposapiés	810 mm					
Anchura plegada	320 mm					
Altura plegada (depende de la altura de asiento)	890 mm - 990 mm					
Peso total	18,8 kg					
Peso de la parte más pesada	11 kg					
Peso de las partes que pueden desmontarse o quitarse.	Reposapiés: 1,7 kg; Reposabrazos: 2,2 kg; Ruedas traseras: 3,7 kg					
Estabilidad estática en pendientes descendentes	10° (con la configuración estándar)					
Estabilidad estática en pendientes ascendentes	7° (con la configuración estándar)					
Estabilidad estática lateral	18° (con la configuración estándar)					
Superación de obstáculos	60 mm					
Ángulo plano del asiento	0°			10°		
Profundidad útil del asiento	440 mm			520 mm		
Altura de la superficie del asiento en la parte delantera	440 mm			530 mm		
Ángulo del respaldo	5°					
Altura del respaldo	420 mm					
Distancia entre el reposapiés y el asiento	330 mm			500 mm		
Ángulo entre el asiento y la base del reposapiés	5°			25°		
Ángulo entre el asiento y el reposapiernas	105°					
Ángulo entre el reposapiernas y la paleta	80°					
Distancia entre la almohadilla del reposabrazos y el asiento	195 mm			300 mm		
Ubicación delantera del armazón de la almohadilla del reposabrazos	335 mm			455 mm		
Diámetro del aro de propulsión	535 mm					
Ubicación horizontal del eje (deflexión)	1,27 mm			61,04 mm		
Radio de giro mínimo	1500 mm					



Diámetro de ruedas traseras PUR	22"	24"
Presión de los neumáticos, ruedas traseras (de tracción)	Máx. 3,5 bar	
Diámetro de las ruedas de dirección PUR	200 mm	
Presión de los neumáticos, ruedas de dirección	Máx. 2,5 bar	
Material del chasis	Aluminio	
Material del tapizado	Nylon	
Temperatura de almacenamiento y de uso	+ 5 °C	+ 41 °C
Humedad de almacenamiento y de uso	30%	70%

**Nos reservamos el derecho a aplicar modificaciones técnicas.
Tolerancia de la medida ± 15 mm / 1,5 kg / ,1,5°**

Spis treści

Spis treści	1
Wstęp	2
1 Twój produkt	3
1.1 Akcesoria.....	3
2 Przed użyciem	4
2.1 Przewidziane zastosowanie	4
2.2 Symbole na wózku inwalidzkim	4
2.3 Symbole na wózku inwalidzkim	5
2.4 Transport	5
2.5 Składanie / Rozkładanie	7
2.6 Przechowywanie.....	7
3 Używanie wózka	8
3.1 Montaż i demontaż podnóżków	8
3.2 Obsługa hamulców	8
3.3 Montaż i demontaż podłokietników	9
3.4 Regulacja podłokietników	9
3.5 Regulacja zabezpieczenia przed przewróceniem.....	10
3.6 Montaż i demontaż uchwyty poprzecznego.....	10
3.7 Wysokość uchwytów do pchania	10
3.8 Wsiadanie i zsiadanie z wózka inwalidzkiego.....	11
3.9 Jazda na wózku inwalidzkim	11
4 Konserwacja	14
4.1 Czas konserwacji.....	14
4.2 Instrukcje konserwacji	14
4.3 Rozwiązywanie problemów	15
4.4 Oczekiwany okres użytkowania.....	15
4.5 Ponowne użycie	15
4.6 Zakończenie użytkowania	15
5 Parametry techniczne	16

Wstęp

Gratulacje! Jesteś teraz właścicielem wózka inwalidzkiego Vermeiren!

Wózek zbudował zespół złożony z wykwalifikowanych i zaangażowanych pracowników. Zaprojektowano go i wyprodukowano zgodnie z wysokimi standardami jakości, jakich przestrzega Vermeiren.

PL

Dziękujemy za zaufanie firmie Vermeiren i jej produktom. Niniejsza instrukcja pomoże właścicielowi w eksploatacji wózka inwalidzkiego i korzystaniu z jego opcji. Prosimy o uważne przeczytanie instrukcji obsługi. Pozwoli ona na zapoznanie się z działaniem, możliwościami i ograniczeniami wózka.

W razie pytań, na które odpowiedzi nie ma w instrukcji, prosimy o kontakt z Państwa wyspecjalizowanym sprzedawcą. Sprzedawca chętnie służy pomocą.

Ważna uwaga

Aby zapewnić bezpieczeństwo i wydłużyć okres użytkowania produktu, prosimy o dbanie o niego oraz regularne dokonywanie przeglądów i serwisowanie.

Instrukcja obejmuje najnowsze rozwiązania zastosowane w produkcji. Firma Vermeiren ma prawo do wprowadzania zmian w produktach tego typu bez obowiązku adaptowania lub wymiany podobnych, poprzednio dostarczonych produktów.

Ilustracje produktu stanowią dodatkowe objaśnienia do instrukcji w niniejszym dokumencie. Szczegóły przedstawionego produktu mogą się różnić od rzeczywistego produktu posiadanego przez użytkownika.

Dostępne informacje

W naszej witrynie internetowej <http://www.vermeiren.com/> zawsze znajduje się najnowsza wersja informacji zamieszczonych w instrukcji. Prosimy regularnie odwiedzać witrynę, ponieważ możemy w niej zamieszczać zaktualizowane informacje.

Osoby z zaburzeniami wzroku mogą pobrać elektroniczną wersję niniejszej instrukcji i odsłuchać ją przy użyciu oprogramowania zamieniającego tekst na mowę.



Instrukcja obsługi
Dla użytkownika i specjalistycznego dystrybutora



Instrukcja instalacji
Dla specjalistycznego dystrybutora



Instrukcja serwisowa dla wózków inwalidzkich
Dla specjalistycznego dystrybutora



Deklaracja zgodności WE

1 Twój produkt



1. Uchwyty
2. Uchwyt poprzeczny
3. Pokrętło gwieździste
wysokość uchwytu
4. Oparcie
5. Poduszka
podłokietnika
6. Podłokietniki
7. Siedzisko
8. Podnóżki
9. Płyty podnóżków
10. Koła skrętne
(przednie koła)
11. Hamulce
12. Koła napędowe (tylne)
13. Obręcze
14. Zaślepka
15. Zabezpieczenie przed
wywróceniem
16. Krzyżak
17. Tabliczka znamionowa

PL

1.1 Akcesoria

Dla modelu V300DL dostępne są następujące akcesoria:

- Pas stabilizujący miednicę od przodu (B20)
- Stoliki
- Uchwyt na kule

2 Przed użyciem

2.1 Przewidziane zastosowanie

- Wskazania i przeciwwskazania: Użytkownik może napędzać wózek samodzielnie lub może być popychany przez opiekuna. Wózek inwalidzki jest przeznaczony dla osób w podeszłym wieku lub osób o ograniczonej zdolności lub braku zdolności chodzenia, z powodów takich jak paraliż, utrata kończyn, uszkodzenia lub deformacji kończyn, sztywne lub uszkodzone stawy, niewydolność serca i słabe krążenie krwi, zaburzenia równowagi, kacheksja (ubytków masy mięśniowej), ... **NIE WOLNO** używać wózka inwalidzkiego bez pomocy asystenta, jeśli użytkownik cierpi na zaburzenia fizyczne lub psychiczne, które mogłyby narazić użytkownika lub inne osoby na niebezpieczeństwo podczas jazdy na wózku. Z wymienionych powodów należy przed rozpoczęciem użytkowania wózka zasięgnąć porady lekarza i upewnić się, że wyspecjalizowany sprzedawca zapoznał się z jego poradą.
- Niniejszy wózek inwalidzki jest przeznaczony do użytku w pomieszczeniach i na zewnątrz.
- Niniejszy wózek inwalidzki jest zaprojektowany i produkowany do transportu wyłącznie jednej (1) osoby ważącej maksymalnie 130kg. Nie jest przeznaczony do transportu towarów, przedmiotów ani innego wykorzystania niż wcześniej opisane.
- Używać wyłącznie akcesoriów i części zapasowych zatwierdzonych przez Vermeiren.
- Należy się zapoznać ze wszystkimi danymi technicznymi i ograniczeniami wózka, które wskazano w rozdziale 5.
- Gwarancja na produkt jest udzielona przy założeniu normalnego użytkowania i konserwacji, opisanych w niniejszej instrukcji. Uszkodzenie produktu spowodowane nieprawidłową eksploatacją lub brakiem konserwacji spowoduje unieważnienie gwarancji.

2.2 Symbole na wózku inwalidzkim

 PRZESTROGA Rzyzko obrażeń i/lub uszkodzeń

Należy przeczytać zalecenia podane w niniejszej instrukcji i postępować zgodnie z nimi. Niestosowanie się do tych zaleceń może spowodować uraz lub uszkodzenie wózka inwalidzkiego.





Podczas użytkowania należy pamiętać o ostrzeżeniach ogólnych:

- Nie korzystać z wózka inwalidzkiego będąc pod wpływem alkoholu, leków lub innych substancji mogących wpływać na zgodności do jazdy.
- Należy pamiętać, że niektóre części wózka mogą się mocno rozgrzewać lub ochładzać pod wpływem temperatury zewnętrznej, promieniowania słonecznego lub urządzeń grzewczych. Zachować ostrożność podczas dotykania. Nosić odzież ochronną podczas chłodnej pogody. Będąc na zewnątrz można założyć rękawice do jazdy, poprawiając chwytność obręczy napędowej.
- Nie dokonywać żadnych modyfikacji wózka inwalidzkiego.

Korzystając z wózka inwalidzkiego musisz być świadomym, że w zależności od użytych ustawień może on kolidować z niektórymi systemami antykradzieżowymi. Może to spowodować uruchomienie alarmu w sklepie.

W przypadku wystąpienia poważnego incydentu z udziałem produktu, należy powiadomić firmę Vermeiren lub specjalistycznego sprzedawcę, jak również właściwe władze w swoim kraju.

2.3 Symbole na wózku inwalidzkim

	Maksymalna masa użytkownika w kg
	Do użytku na zewnątrz/w pomieszczeniach
	Maksymalne bezpieczne nachylenie terenu w ° (stopniach)
	Oznaczenie typu

2.4 Transport

2.4.1 Transport w pojeździe jako bagaż

 OSTRZEŻENIE Ryzyko obrażeń

- Należy upewnić się, że wózek inwalidzki jest prawidłowo umocowany. Pozwoli to zapobiec urazom pasażerów podczas kolizji lub gwałtownego hamowania.
- NIGDY nie używaj jednego pasa bezpieczeństwa do zabezpieczenia pasażera i wózka inwalidzkiego.

- Wymontuj podnóżki, podłokietniki i akcesoria.
- Umieść podnóżki, podłokietniki i akcesoria w bezpiecznym miejscu.
- Jeśli to możliwe, złoż wózek inwalidzki i zdejmij tylne koła.
- Umieść wózek inwalidzki w bagażniku.
- Jeśli wózek NIE znajduje się w przedziale bagażowym oddzielonym od kabiny pasażerów, dokładnie umocuj ramę wózka inwalidzkiego do pojazdu. Możesz skorzystać z nieużywanych pasów bezpieczeństwa.

2.4.2 Korzystanie z wózka inwalidzkiego jako siedzenie w pojazdach silnikowych

 OSTRZEŻENIE Ryzyko obrażeń

- Wózek przeszedł test zderzeniowy wg normy ISO 7176-19: 2008 i jako taki został zaprojektowany i przetestowany do użycia wyłącznie przodem do kierunku jazdy w pojazdach silnikowych.
- Sam pas biodrowy nie nadaje się jako pas zabezpieczający pasażerów.

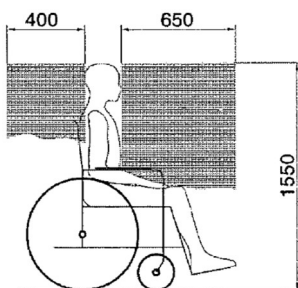
Wózek inwalidzki jest przetestowany przy użyciu czterech punktów mocujących i z -punktowym system mocowania pasażera.

Gdy jest to możliwe, należy użyć siedzeń pojazdu a wózek przewozić w przestrzeni ładunkowej pojazdu.

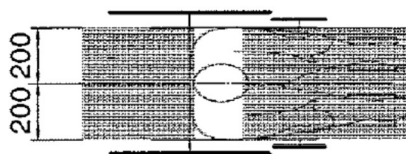
Czynności, aby zabezpieczyć wózek w pojeździe:

- Sprawdź, czy pojazd jest wyposażony w odpowiedni system przytrzymujący wózek i pasażera, zgodnie z normą ISO 10542.
- Sprawdź, czy elementy wózka i urządzenie przytrzymujące, nie są postrzępione, skażone, uszkodzone.
- Jeśli wózek wyposażony jest w regulowany fotel i/lub oparcie, upewnij się, że ww. elementy są ustawione w pozycji pionowej a pasażer w wózku inwalidzkim siedzi w pozycji pionowej. Jeśli stan pasażera nie pozwala na takie ułożenie, należy ocenić ryzyko, aby zapewnić bezpieczeństwo pasażera podczas transportu.
- Usuń wszystkie zamontowane akcesoria takie jak stoliki, respirator itp. i przymocuj je w bezpiecznym miejscu.

5. Wózek ustawić do przodu w kierunku jazdy, centralnie między szynami mocującymi zamontowanymi w podłodze pojazdu.
6. Upewnij się, że strefa wokół wózka inwalidzkiego jest pozbawiona niebezpiecznych elementów.

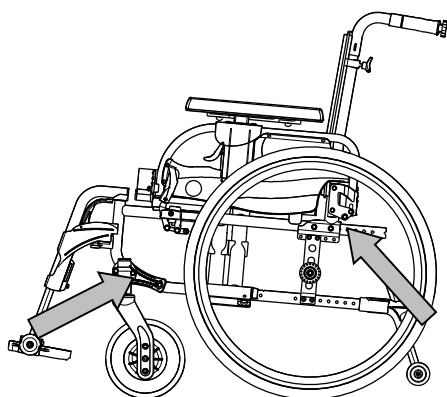


Rysunek 1



Rysunek 2

7. W pierwszej kolejności zamontuj pasy mocujące z przodu wózka zgodnie z instrukcją producenta systemu mocującego we wskazane miejsce (Rysunek 3).
Miejsce jest zaznaczone na wózku inwalidzkim z symbolem (Rysunek 4).
8. Wycofaj wózek do momentu aż pasy z przodu się napną.
9. Załącz hamulec w wózku inwalidzkim.
10. Następnie zamontuj pasy mocujące na tylnej ramie wózka we wskazanym miejscu zgodnie z instrukcją producenta systemu pasów (Rysunek 3). Miejsce jest zaznaczone na wózku inwalidzkim z symbolem (Rysunek 4).



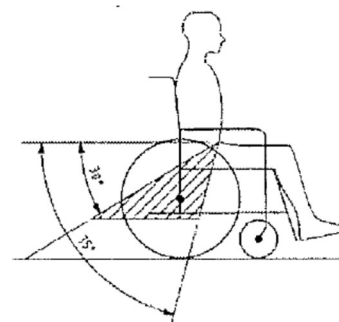
Rysunek 3



Rysunek 4

Kroki w celu zapewnienia bezpieczeństwa użytkownikowi wózka inwalidzkiego:

1. Zdemontuj obydwa podłokietniki.
2. Jeśli występuje, dołącz wózka pas biodrowy.
3. Dołącz pasy zabezpieczające pasażera zgodnie z instrukcją producenta pasów.
4. Pas biodrowy, powinien być tak zamontowany, aby kąt pasa znajdował się w strefie 30° do 75° do poziomu, tak jak pokazano poniżej.
5. Zdemontuj obydwa podłokietniki.
6. Jeśli występuje, dołącz wózka pas biodrowy.
7. Dołącz pasy zabezpieczające pasażera zgodnie z instrukcją producenta pasów.
8. Pas biodrowy, powinien być tak zamontowany, aby kąt pasa znajdował się w strefie 30° do 75° do poziomu, tak jak pokazano poniżej.



PASY NIE MOGĄ PRZECHODZIĆ PRZEZ
CZĘŚCI WÓZKA NA JAK PODŁOKIETNIK
CZY KOŁA.



PASY NIE MOGĄ PRZECHODZIĆ PRZEZ
CZĘŚCI WÓZKA NA JAK PODŁOKIETNIK CZY
KOŁA.



PL

2.5 Składanie / Rozkładanie



PRZESTROGA

Ryzyko obrażeń

Trzymaj palce w bezpiecznej odległości od ruchomych części wózka inwalidzkiego.

2.5.1 Rozkładanie wózka inwalidzkiego

1. Stań za wózkiem inwalidzkim.
2. Trzymając za uchwyty, maksymalnie rozłóż wózek.
3. Stań przed wózkiem inwalidzkim.
4. Dociśnij obie rurki siedziska w dół, aż zostaną zablokowane na pozycjach.

2.5.2 Składanie wózka inwalidzkiego

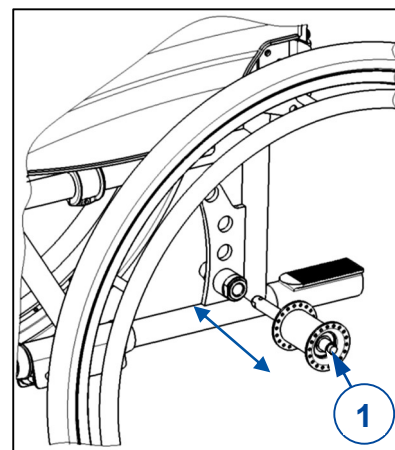
1. Złóż płyty podnóżek lub wymontuj podnóżek (patrz § 3.1).
2. Chwyć siedzenie za przód i oparcie, a następnie pociągnij w górę.

2.5.3 Montaż kół tylnich

1. Chwyć tylne koło i naciśnij przycisk ①.
2. Przytrzymując wciśnięty przycisk, nałóż oś tylnego koła aż do zablokowania.
3. Zwolnij przycisk.
4. Sprawdź, czy koło jest bezpiecznie zamocowane.

2.5.4 Zdejmowanie kół

1. Upewnij się, że hamulce są zwolnione.
2. Przejdź na stronę wózka, z której chcesz zdjąć koło.
3. Naciśnij przycisk ① pośrodku osi koła.
4. Zdejmij koło z ramy.



2.6 Przechowywanie



Wózek inwalidzki powinien być przechowywany w suchym środowisku, aby zapobiec tworzeniu się na nim pleśni i uszkodzeniu tapicerki, patrz też rozdział 5.

3 Używanie wózka

⚠ OSTRZEŻENIE Ryzyko obrażeń

- Zacząć od przeczytania poprzednich rozdziałów i zaznajomienia się z przewidzianym zastosowaniem. NIE używać wózka, dopóki wszystkie instrukcje nie zostaną przeczytane i zrozumiane.
- W razie wątpliwości i pytań prosimy o kontakt z lokalnym wyspecjalizowanym sprzedawcą, opiekunem lub doradcą technicznym, który udzieli pomocy.

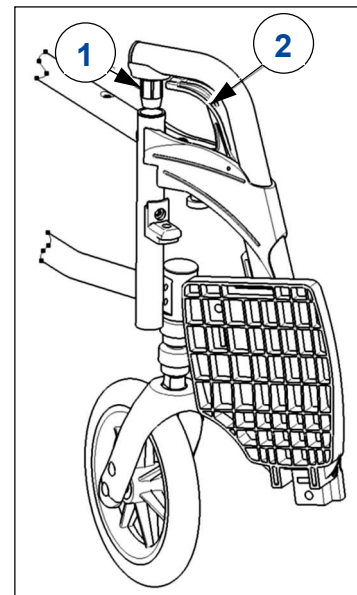
3.1 Montaż i demontaż podnóżków

Aby zamontować podnóżki:

1. Przytrzymaj podnóżek w poprzek po zewnętrznej stronie ramy wózka i zamontuj rurkę ① w ramie.
2. Należy obrócić podnóżek do wewnątrz, aż wskoczy na swoje miejsce.
3. Obrócić płytę podnóżka w dół.

Aby zdemontować podnóżki:

1. Należy pociągnąć za uchwyt ②.
2. Obrócić podnóżek na zewnątrz wózka, aż uwolni się z ograniczników.
3. Wyciągnij rurkę podnóżka z ramy ①.

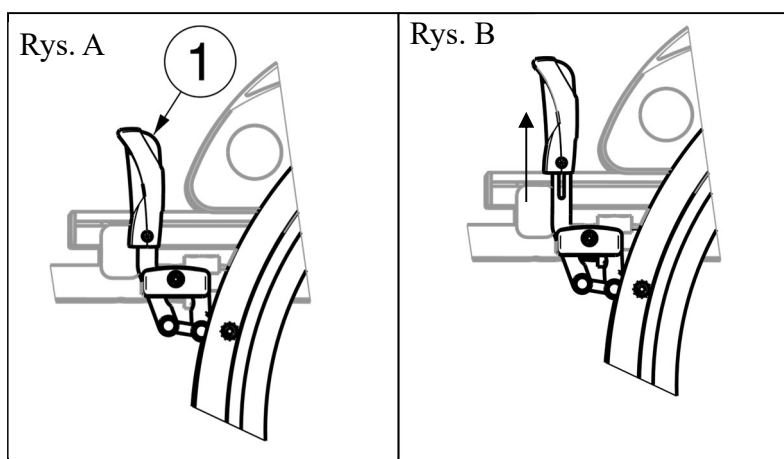


3.2 Obsługa hamulców

⚠ PRZESTROGA Ryzyko obrażeń

- Hamulce nie służą do spowalniania wózka inwalidzkiego w trakcie ruchu. Należy ich używać wyłącznie, aby nie dopuścić do niepożądanych ruchów wózka.
- Na prawidłową pracę hamulców wpływ ma zużycie oraz zanieczyszczenie ogumienia (woda, olej, błoto, ...). Należy sprawdzać stan ogumienia przed każdym użyciem.
- Hamulce są regulowane i mogą ulec zużyciu. Należy sprawdzać stan hamulców przed każdym użyciem.
- przed zwolnieniem hamulców należy upewnić się, że wózek inwalidzki znajduje się na płaskiej, poziomej powierzchni. Nigdy nie zwalnij obu hamulców jednocześnie.

W celu zmniejszenia siły hamowania możliwe jest przedłużenie dźwigni hamulca (rys B).



Aby zaciągnąć hamulec (rys A):

1. Należy popchnąć dźwignie hamulców w przód, aż da się słyszeć wyraźne kliknięcie.

Aby zwolnić hamulce:

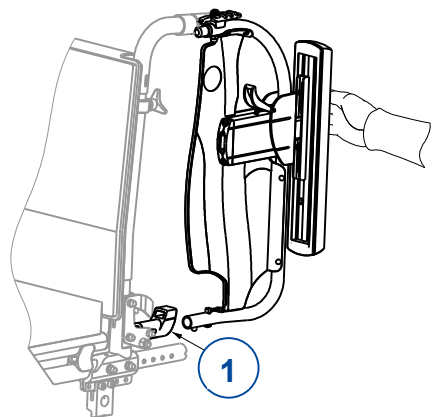
1. Zwolnij jeden hamulec, pociągając dźwignię w tył.
2. Przytrzymaj dłonią obręcz zwolnionego koła.
3. Zwolnij drugi hamulec, pociągając dźwignię w tył.

3.3 Montaż i demontaż podłokietników

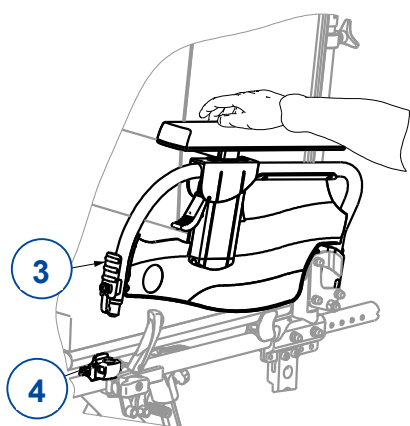
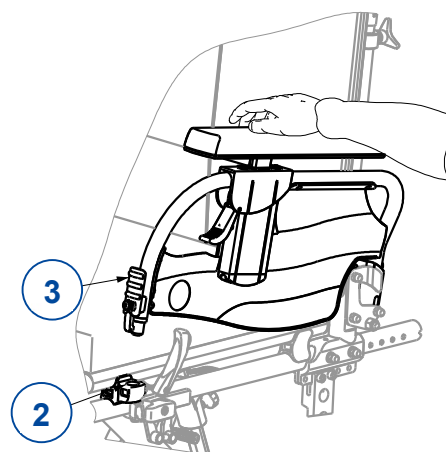
⚠ PRZESTROGA Ryzyko obrażeń

- Trzymaj palce, zapięcia i odzież z dala od spodniej części podłokietnika.

Podłokietniki wózka inwalidzkiego można montaż zgodnie z instrukcją.



1. Zamontuj tylną rurkę podłokietnika w ramie (1).
2. Upewnij się, że podłokietnik wskoczył do mechanizmu blokującego.
3. Pochyl podłokietnik w przód.
4. Zamocuj przednią rurkę podłokietnika w ramie (2).



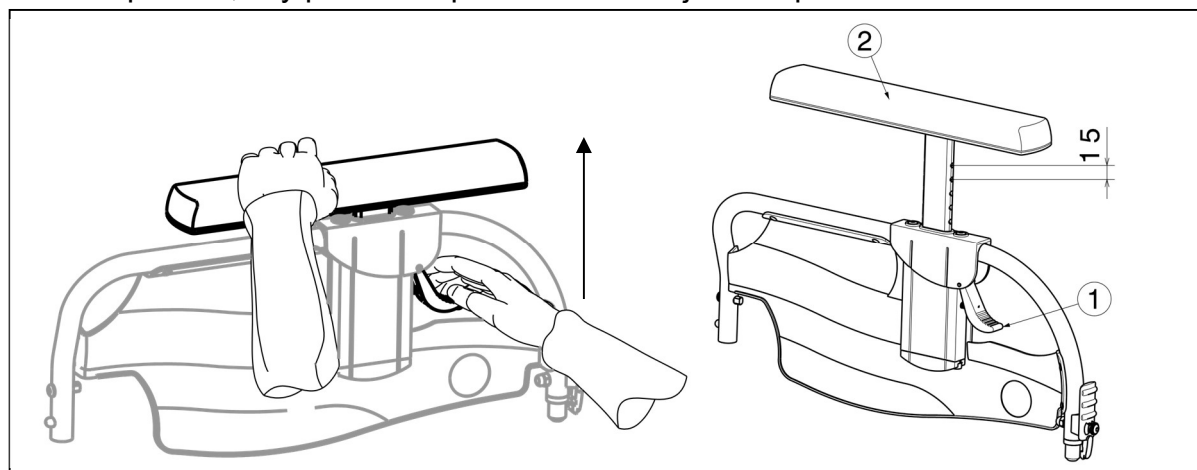
Aby rozłożyć i zdemontować podłokietnik:

1. Naciśnij dźwignię (3) i pociągnij przód podłokietnika w górę.
2. Odchyl podłokietnik w tył.
3. Aby wymontować podłokietnik, naciśnij przycisk (4) i wyciągnij tył podłokietnika z ramy (1).

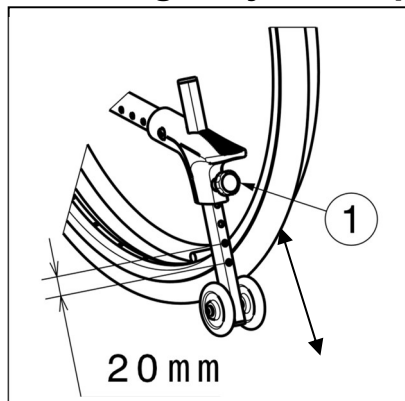
3.4 Regulacja podłokietników

Wysokość podłokietnika można wyregulować w 8 różnych pozycjach (zasięg 105 mm w odstępach co 15 mm).

1. Przesuń dźwignię ①.
2. Ustaw poduszka podłokietnika ② w odpowiedniej wysokości.
3. Poluzuj dźwignia ①.
4. Sprawdź, czy poduszka podłokietnika ② jest bezpiecznie zamocowane.



3.5 Regulacja zabezpieczenia przed przewróceniem



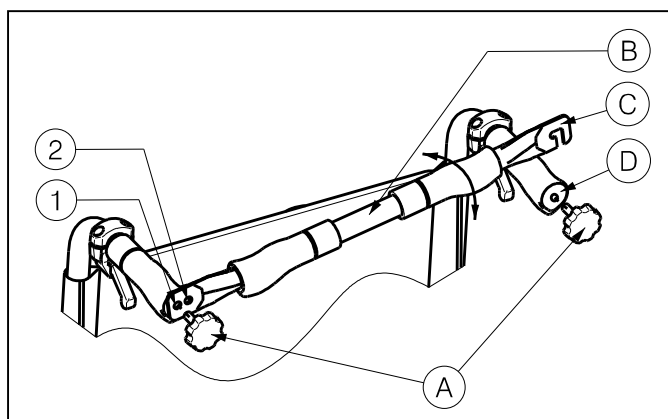
Regulacja wysokości zabezpieczenia przed przewróceniem jedno z 7 położeń (zakres 120 mm: skokowo co 20 mm):

1. Odkręć nieznacznie pokrętko ①.
2. Ustaw rurkę zabezpieczenie przed przewróceniem w odpowiedniej wysokości.
3. Dokręć pokrętko ①.
4. Sprawdź, czy zabezpieczenie przed przewróceniem jest odpowiednio zamontowane.

3.6 Montaż i demontaż uchwyty poprzeczny

OSTRZEŻENIE Ryzyko obrażeń

- Należy upewnić się, że przycisk ① są odpowiednio dokręcone.
- W przypadku, gdy wózek został wyposażony w drążek poprzeczny powinien on być zawsze zamontowany aby zwiększyć stabilność oparcia.



Aby zamontować uchwyt poprzeczny:

1. Zamontuj uchwyt poprzeczny ② za pomocą pokrętła ① do lewego uchwyty.
2. Przechyl uchwyt poprzeczny ② w prawą stronę.
3. Przymocuj zaczep ③ do prawego uchwyty ④ tak jak na rysunku. Użyj otworów ① do ② wyregulowania ustawienia odpowiedniego napięcia oparcia.

Aby zdemontować drążek poprzeczny:

1. Odkręć pokrętko ① przy prawym uchwycie.
2. Zdejmij zaczep ③ z prawego uchwyty ④.

3.7 Wysokość uchwytów do pchania

Uchwyty do pchania mogą być regulowane bezstopniowo w zakresie 60mm:

1. Poluźnij śrubę (1).
2. Ruszając w górę lub w dół ustaw uchwyty na pożądaną wysokość.
3. Dokręć śrubę (1).
4. Powtórz dla drugiej rączki. Upewnij się, że obie rączki są dobrze dokręcone.

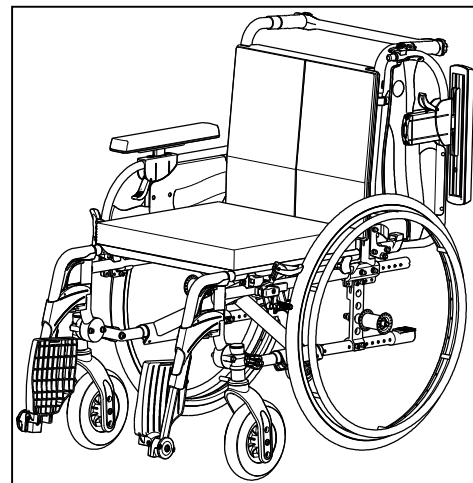


3.8 Wsiadanie i zsiadanie z wózka inwalidzkiego

**PRZESTROGA**

Ryzyko obrażeń

- Jeśli nie można samemu bezpiecznie położyć się na łóżku rehabilitacyjnym lub wstać z niego, należy poprosić kogoś o pomoc.
 - Nie wolno stawać na płytach podnóżka.
1. Ustaw wózek jak najbliżej krzesła, kanapy bądź łóżka, na które chcesz wysiąść.
 2. Sprawdź, czy oba hamulce zostały zaciśnięte.
 3. Należy odchylić płyty podnóżka w górę, aby uniknąć stawania na nich.
 4. Jeśli przemieszczanie zachodzi w poprzek wózka należy zdemonstrować podłokietnik po tej stronie wózka po z której będzie wykonywana czynność schodzenia z wózka (patrz § 3.3) i należy zaciągnąć dźwignię hamulca w dół.
 5. Wsiądź na/zsiądź z wózka inwalidzkiego.

**PL**

3.8.1 Prawidłowa pozycja w wózku inwalidzkim

Zalecenia dotyczące wygodnego korzystania z wózka inwalidzkiego:

- Ułóż plecy tak blisko oparcia, jak to możliwe.
- Upewnij się, że uda ułożone są w poziomie - w razie potrzeby dostosuj długość podnóżków (patrz instrukcja instalacji).

3.9 Jazda na wózku inwalidzkim

**UWAGA**

Ryzyko obrażeń i uszkodzeń

- Przed każdym użyciem należy się upewnić, że:
 - hamulce postojowe działają prawidłowo,
 - opony są w dobrym stanie, patrz §4.
- Uważać, aby nie włożyć palców do szprych koła.
- Nie obsługiwać obręczy napędowej mokrymi rękami.
- Uważać zablokowanie rąk na obręczy napędowej przejeżdżając przez wąskie przejścia.
- NIE przejeżdżać po stromych nachyleniach, przeszkodach, stopniach lub krawężnikach większych, niż określono w §5.
- Zatrzymując się na (małym) nachyleniu należy użyć hamulców.
- Upewnić się, że wszystkie cztery koła dotykają podłoża podczas jazdy w górę i w dół po nachyleniu.
- Nachylenia pokonywać jak najwolniej.
- Jeżdżąc po drogach publicznych należy zawsze korzystać z chodnika.
- Zwracać uwagę, czy na drodze nie ma dziur ani szczelin, w których koła mogą zostać uwięzione.
- Unikać kamieni i innych obiektów, które mogą zablokować koła.
- Upewnić się, że płyty podnóżka nie dotykają podłoża podczas pokonywania przeszkody.
- Nie korzystać z wózka inwalidzkiego w windzie.
- Jeżeli to możliwe, zapinać pas bezpieczeństwa.
- Należy zawsze zwracać uwagę na zakres obrotu płyty podnóżka, aby nie spowodować obrażeń ciała osób w pobliżu czy uszkodzenia przedmiotów.
- W przypadku braku doświadczenia w poruszaniu się wózkiem inwalidzkim należy poprosić o pomoc drugiej osoby. Odsunąć ręce od kół, a stopy położyć na płycie podnóżka.
- Stopnie należy pokonywać zawsze przy pomocy dwóch pomocników.
- Nie próbować korzystać ze schodów, które nie są przystosowane do wózków inwalidzkich.

3.9.1 Jazda wózkiem inwalidzkim:

1. Zwolnić hamulce.
2. Chwycić obie obręcze napędowe w najwyższym punkcie.
3. Pochylić się do przodu i popchnąć obręcze napędowe do przodu do momentu wyprostowania rąk.
4. Przenieść ręce ponownie na górną część obręczy napędowych i powtórzyć ruch.

3.9.2 Poruszanie się po powierzchniach pochyłych

 OSTRZEŻENIE Ryzyko obrażeń

- Na powierzchniach pochyłych poruszaj się jak najwolniej.
- Weź pod uwagę możliwości opiekuna. Jeśli nie dysponuje siłą pozwalającą kontrolować wózek inwalidzki, zaciągnij hamulce.
- Pochyl się w przód, aby przesunąć środek ciężkości do przodu. Pozwoli to ustabilizować wózek inwalidzki.



1. Zapnij pasy bezpieczeństwa, jeśli wózek jest w nie wyposażony.
2. Nie próbuj poruszać się po zbyt dużych pochyłościach. Maksymalne dopuszczalne kąty nachylenia podłoża (w górę i w dół) zawiera Tabela 1.
3. Poproś opiekuna o pomoc podczas ruchu na pochyłym podłożu.
4. Pochyl się w przód, aby przesunąć środek ciężkości do przodu.

3.9.3 Pokonywanie progów lub krawężników

 OSTRZEŻENIE Ryzyko obrażeń

- Jeśli nie posiadasz wystarczającego doświadczenia w korzystaniu z wózka inwalidzkiego, poproś o pomoc opiekuna.

Zjazd z progów lub krawężników

Z niskiego krawężnika można zjechać, poruszając się w przód. Należy upewnić się, że podpora nóg nie dotyka podłoża.



Doświadczony użytkownik może samodzielnie pokonać niewielkie progi lub krawężniki.

1. Utrzymaj równowagę na kołach tylnych, aby zmniejszyć nacisk na koła przednie.
2. Pokonaj krawężnik.

Wyższe krawężniki można pokonać, poruszając się w przód z pomocą opiekuna.

1. Poproś opiekuna, aby nieznacznie odchylił wózek inwalidzki do tyłu.
2. Pokonuj krawężniki, poruszając się na tylnych kołach.
3. Ponownie oprzyj wózek na wszystkich czterech kołach.



Doświadczony użytkownik może samodzielnie pokonywać wyższe krawężniki. Najłatwiej tego dokonać, poruszając się do tyłu.

1. Obróć wózek inwalidzki, zwracając go tylnymi kołami w stronę krawężnika.
2. Pochyl się w przód, aby przesunąć środek ciężkości do przodu.
3. Zbliż wózek do krawędzi krawężnika.

4. Przy użyciu obręczy w kontrolowany sposób zsuń wózek z krawężnika.

Wjazd na progi lub krawężniki

Aby wjechać na próg lub krawężnik z pomocą opiekuna:



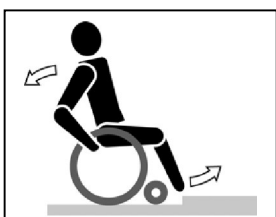
1. Nie należy dopuścić, aby podpora nóg dotknęła krawężnika.
2. Poproś opiekuna o odchylenie wózka do tyłu na tyle, aby unieść przednie koła nad krawężnik.
3. Odchyl się do tyłu, przenosząc środek ciężkości nad tylne koła.
4. Wjedź przednimi kołami na krawężnik.
5. Przejedź tylnymi kołami przez krawężnik.

PL

Wyższe krawężniki można pokonać, jadąc do tyłu:

1. Obróć wózek inwalidzki, zwracając go tylnymi kołami w stronę krawężnika.
2. Odchyl się w tył, przenosząc środek ciężkości nad tylne koła.
3. Poproś opiekuna o wciągnięcie wózka na krawężnik.
4. Powróć do normalnej pozycji w wózku inwalidzkim.

Doświadczony użytkownik może samodzielnie pokonywać krawężniki.



1. Podjedź do krawężnika.
2. Należy upewnić się, że podpora nóg nie dotyka krawężnika.
3. Odchyl się w tył, utrzymując równowagę na tylnych kołach.



4. Wjedź przednimi kołami na krawężnik.
5. Pochyl się do przodu, aby ustabilizować wózek.
6. Wjedź tylnymi kołami na krawężnik.

3.9.4 Pokonywanie schodów

**OSTRZEŻENIE**

Ryzyko obrażeń

- Zawsze pokonuj schody z pomocą 2 opiekunów.

Schody można pokonywać na wózku inwalidzkim, przestrzegając następujących zasad:

1. Jeden z opiekunów musi nieznacznie odchylić wózek w tył.
2. Drugi opiekun łapie za przód ramy wózka.
3. Zachowaj spokój, unikaj nagłych ruchów i trzymaj ręce wewnątrz wózka inwalidzkiego.
4. Pokonuj schody na tylnych kołach wózka.

4 Konservacja

4.1 Czas konserwacji

**PRZESTROGA**

Ryzyko obrażeń i uszkodzeń

Naprawy i wymiana części mogą być przeprowadzane tylko przez przeszkolone osoby i wolno korzystać z oryginalnych części zamiennych Vermeiren.



Częstotliwość serwisowania zależy od częstotliwości i intensywności użytkowania. Skontaktować się z dystrybutorem celem uzgodnienia harmonogramu inspekcji / konserwacji / naprawy.

Instrukcje dotyczące konserwacji znajdziesz na stronie internetowej firmy Vermeiren: www.vermeiren.pl.

Przed każdym użyciem

Przejrzeć następujące punkty:

- Wszystkie części: Obecne, nie uszkodzone i nie zużyte.
- Wszystkie części: Wyczyścić, patrz § 4.2.2.
- Koła, oparcie, siedzisko, podparcie łydki, podłokietnik, płyty podnóżka: Dobrze zabezpieczone.
- Stan kół/opon, patrz § 4.2.1;
- Stan części ramy: Brak deformacji, niestabilność, słabe lub luźne połączenia
- Siedzisko, oparcie, podpórki ramion, podpórki łydek i oparcia (jeżeli dotyczy): Brak nadmiernego zużycia (punkty wgniecia, uszkodzenia lub rozerwania).
- Hamulce: Nieuszkodzone i sprawne.

Skontaktować się ze specjalistycznym dystrybutorem pod kątem ewentualnych napraw lub wymiany.

Raz w roku lub częściej

Co najmniej raz w roku lub częściej zlecać kontrolę i serwisowanie wózka inwalidzkiego wykwalifikowanemu dystrybutorowi. Minimalna częstotliwość konserwacji jest uzależniona od użytkowania i należy ją uzgodnić z wykwalifikowanym dystrybutorem.

4.2 Instrukcje konserwacji

4.2.1 Koła i opony



Odpowiednie działanie hamulców jest uzależnione od stanu opon i może się zmieniać ze względu na zużycie i zanieczyszczenie (woda, olej, błoto, ...)

Usuwać z kół druty, włosy, piasek i włókna.

Sprawdzić profil opon. Jeżeli głębokość bieżnika jest mniejsza, niż 1 mm, opony należy wymienić. W tej sprawie należy skontaktować się ze specjalistycznym dystrybutorem.

Napompować każdą pneumatyczną oponę odpowiednim ciśnieniem (patrz informacja odnośnie ciśnienia na oponach).

4.2.2 Czyszczenie

UWAGA

Ryzyko uszkodzenia przez wilgoć.

- Do czyszczenia wózka inwalidzkiego nie wolno nigdy stosować węża ani myjki ciśnieniowej.

Wytrzeć wszystkie sztywne części wózka wilgotną szmatką (nie wykreconą). W razie konieczności użyć łagodnego mydła, odpowiedniego do lakierów i materiałów syntetycznych.

Tapicerkę można czyścić letnią wodą i łagodnym mydłem. Do czyszczenia nie używać szorstkich środków czyszczących.

4.2.3 Dezynfekcja

UWAGA

Ryzyko uszkodzenia

- Dezynfekcja może być przeprowadzana tylko przez przeszkolone osoby. Skonsultować się ze specjalistycznym dystrybutorem.

PL

4.3 Rozwiązywania problemów

Nawet w przypadku prawidłowego korzystania z wózka może wystąpić problem techniczny. W takim przypadku należy skontaktować się z lokalnym specjalistycznym dystrybutorem.



OSTRZEŻENIE

Ryzyko obrażeń i uszkodzenia wózka inwalidzkiego

- NIGDY nie naprawiać wózka inwalidzkiego samodzielnie usiłując rozwiązać problem.

Poniższe symptomy mogą oznaczać poważny problem. Dlatego też w przypadku zauważenia poniższych niezgodności należy zawsze skontaktować się ze specjalistycznym dystrybutorem.

- Dziwne dźwięki;
- Nierównomierne zużycie bieżnika opon;
- Szarpane ruchy;
- Wózek inwalidzki ściąga na jedną stronę;
- Uszkodzone lub pęknięte zespoły koła.

4.4 Oczekiwany okres użytkowania

Przeciętny okres użytkowania wózka inwalidzkiego to 5 lat. Ten czas może być dłuższy lub krótszy, zależnie od częstotliwości korzystania, warunków jazdy i konserwacji wózka.

4.5 Ponowne użycie

Przed każdym ponownym użyciem wózek należy zdezynfekować, skontrolować i poddać konserwacji zgodnie z instrukcjami w §4.1 i §4.2.

4.6 Zakończenie użytkowania

Po zakończeniu okresu użytkowania należy poddać wózek utylizacji, zgodnie z lokalnymi przepisami ochrony środowiska. Najlepszym sposobem jest demontaż wózka inwalidzkiego, aby ułatwić transport części poddawanych utylizacji.

5 Parametry techniczne

Parametry techniczne podane poniżej opisują wózek inwalidzki w konfiguracji standardowej. Jeśli użytkownik korzysta z innych podnóżków/podłokietników lub innych akcesoriów, wartości będą się różnić.

Marka	Vermeiren
Typ	Ręczny wózek inwalidzki
Model	V300DL
Maksymalna waga użytkownika	130 kg

Opis	Minimalne wymiary			Maksymalne wymiary		
Długość całkowita z podnóżkiem	1000 - 1040 mm					
Szerokość użytkowa siedziska	390 mm	420 mm	440 mm	460 mm	480 mm	500 mm
Szerokość całkowita (zależy od szerokości siedziska)	600 mm	630 mm	650 mm	670 mm	690 mm	710 mm
Długość po złożeniu bez podnóżków	810 mm					
Szerokość po złożeniu	320 mm					
Wysokość po złożeniu (zależy od wysokości siedziska)	890 mm - 990 mm					
Waga całkowita	18,8 kg					
Waga najcięższej części	11 kg					
Waga części, które można zdemontować lub zdjąć.	Podnóżki: 1,70 kg; Podłokietniki: 2,20 kg; Tylne koła: 3,7 kg					
Stabilność statyczna przy pochyłości	10° (w konfiguracji standardowej)					
Stabilność statyczna pod górę	7° (w konfiguracji standardowej)					
Stabilność statyczna w poprzek	18° (w konfiguracji standardowej)					
Zdolność pokonywania przeszkód	60 mm					
Kąt nachylenia siedziska	0°			10°		
Głębokość użytkowa siedziska	440 mm			520 mm		
Wysokość przedniej krawędzi siedziska	440 mm			530 mm		
Kąt nachylenia oparcia	5°					
Wysokość oparcia	420 mm					
Odległość siedziska od podnóżka	330 mm			500 mm		
Kąt pomiędzy siedziskiem a płyta podnóżka	5°			25°		
Kąt pomiędzy siedziskiem a podnóżkiem	105°					
Kąt pomiędzy podnóżkiem a płyta podnóżka	80°					
Odległość poduszka podłokietnika od siedziska	195 mm			300 mm		
Przednia pozycja konstrukcji osłony poduszka podłokietnika	335 mm			455 mm		
Średnica obręczy	535 mm					
Pozycja osi w poziomie (odchył)	1,27 mm			61,04 mm		
Minimalny promień skrętu	1500 mm					
Średnica kół tylnych PU	22"			24"		
Ciśnienie w oponach, koła tylne (napędowe)	Maksymalnie 3,5 bara					
Średnica kół skrętnych PU	200 mm					



Ciśnienie w oponach, koła skrętne	Maksymalnie 2,5 bara	
Materiał stelaża	Aluminium	
Materiał tapicerki	Nylon	
Temperatura przechowywania i użytkowania	+ 5 °C	+ 41 °C
Wilgotność powietrza do przechowywania i użytkowania	30%	70%
Producent zastrzega sobie prawo do wprowadzania zmian parametrów technicznych. Tolerancja pomiarów ± 15 mm / 1,5 kg / 1,5°		



Obsah

Obsah	1
Předmluva	2
1 Tento výrobek	3
1.1 Příslušenství	3
2 Před použitím	4
2.1 Určení použití	4
2.2 Obecné bezpečnostní pokyny	4
2.3 Symboly na invalidním vozíku	4
2.4 Přeprava	5
2.5 Složení a rozložení.....	7
2.6 Skladování	7
3 Použití invalidního vozíku	8
3.1 Montáž a demontáž podnožek	8
3.2 Ovládání brzd.....	8
3.3 Montáž a demontáž loketních opěrek	9
3.4 Nastavení područek	9
3.5 Nastavení zařízení proti překlopení.....	10
3.6 Montáž a demontáž tlačné tyče	10
3.7 Výška rukojetí	10
3.8 Přesun pacienta do a z invalidního vozíku	11
3.9 Jízda v invalidním vozíku	11
4 Údržba	14
4.1 Body údržby	14
4.2 Pokyny pro údržbu	14
4.3 Řešení problémů.....	15
4.4 Očekávaná životnost.....	15
4.5 Znovupoužití výrobku	15
4.6 Konec používání	15
5 Technické údaje	16

Předmluva

Blahopřejeme! Nyní jste vlastníkem invalidního vozíku Vermeiren!

Tento invalidní vozík byl vyroben pečlivými pracovníky s kvalifikací. Navíc byl navržen a vyroben podle vysokých standardů kvality, nad nimiž dohlíží společnost Vermeiren.

Děkujeme za Vaši důvěru ve výroby společnosti Vermeiren. Tento návod slouží k tomu, aby vám pomáhal s použitím tohoto invalidního vozíku a jeho provozních možností. Řádně si jej přečtěte; pomůže vám seznámit se s provozem, schopnostmi a omezeními tohoto invalidního vozíku.

Máte-li po přečtení tohoto návodu nějaké dotazy, obraťte se bez obav na svého odborného prodejce. Rád vám pomůže.

Důležitá poznámka

Aby byla zajištěna vaše bezpečnost a prodloužena životnost tohoto výrobku, věnujte mu řádnou péči a nechávejte jej pravidelně kontrolovat a opravovat.

Tento návod obsahuje nejnovější verzi produktu. Společnost Vermeiren má právo provádět změny tohoto typu výrobku, aniž by byla povinna upravit nebo nahradit podobné výrobky, které již byly dodány.

Obrázky výrobku slouží pouze k upřesnění pokynů v tomto návodu. Detaily výrobku na obrázcích se mohou od daného výrobku lišit.

Dostupné informace

Nejnovější verzi informací z tohoto návodu vždy naleznete na našich webových stránkách <http://www.vermeiren.com/>. Tyto webové stránky pravidelně navštěvujte pro případné aktualizace.

Osoby se zrakovým postižením si mohou stáhnout elektronickou verzi tohoto návodu, kterou jim může přečíst softwarová aplikace text-to-speech.



Návod k obsluze

Pro uživatele a odborné prodejce



Návod k instalaci

Pro odborné prodejce



Servisní příručka pro invalidní vozíky

Pro odborné prodejce



Prohlášení o shodě (ES)

1 Tento výrobek



1. Madla
2. Tlačná tyč
3. Hvězdicový knoflík pro nastavení výšky rukojeti
4. Zádová opěrka
5. Područky
6. Loketní opěrky
7. Sedadlo
8. Podnožky
9. Stupačky
10. Řídicí kola (přední kola)
11. Brzdy
12. Hnací kola (zadní kola)
13. Poháněcí obruče
14. Koncové víčko
15. Zařízení proti překlopení
16. Kříž
17. Identifikační štítek

1.1 Příslušenství

Pro V300DL jsou dostupná následující příslušenství:

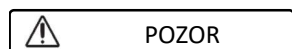
- Bezpečnostní pás (B20)
- Stolky
- Držák berle

2 Před použitím

2.1 Určení použití

- Indikace a kontraindikace: Uživatel může invalidní vozík pohánět sám nebo jej může tlačit asistent. Invalidní vozík je určen pro starší osoby nebo jedince s potížemi s chůzí nebo s nemožností chůze, jako je ochrnutí, ztráta končetin, vada nebo deformace končetin, ztuhlé nebo poškozené klouby, srdeční selhání a špatný krevní oběh, narušení rovnováhy, kachexie (svalová slabost), ... Tento invalidní vozík **NESMÍTE** používat bez pomoci asistenta, trpíte-li tělesnou či duševní poruchou, která by mohla vás nebo jiné osoby ohrozit při řízení invalidního vozíku. Z tohoto důvodu se nejprve obraťte na lékaře a zajistěte, aby byl odborný prodejce informován o jeho posudku.
- Tento invalidní vozík je vhodný pro domácí a venkovní použití.
- Tento invalidní vozík je konstruován a vyroben výhradně k přepravě/přemístění jedné (1) osoby o max. hmotnosti 130 kg. Není konstruován pro přepravu zboží či předmětů ani pro jakýkoli jiný účel, než je popsán výše.
- Používejte pouze příslušenství a náhradní díly schválené společností Vermeiren.
- Přečtěte si všechny technické detaily a omezení tohoto invalidního vozíku v kapitole 5.
- Záruka na tento výrobek je založena na běžném použití a údržbě, jak je to popsáno v tomto návodu. V případě poškození výrobku způsobeného nesprávným použitím či absencí údržby tato záruka zanikne.

2.2 Obecné bezpečnostní pokyny



Riziko zranění anebo poškození

Přečtěte si pokyny v tomto návodu a postupujte podle nich. Jinak může dojít k vašemu zranění nebo k poškození invalidního vozíku.

Při použití mějte na paměti následující obecná upozornění:

- Tento invalidní vozík nepoužívejte, jste-li pod vlivem alkoholu, léků či jiných látek, které by mohly ovlivnit vaše schopnosti jízdy v něm.
- Mějte na paměti, že určité části invalidního vozíku mohou být velmi teplé nebo studené vlivem okolní teploty, slunečního záření či topných těles. Při dotýkání buďte opatrní. Při chladném počasí používejte ochranný oděv. Při jízdě venku je možné používat speciální rukavice, které zlepšují úchop ručních ráfků.
- Tento invalidní vozík žádným způsobem neupravujte.

Berte na vědomí, že vaše invalidní vozík může v závislosti na použitém nastavení ovlivňovat některé typy systémů proti krádeži. To může zapříčinit spuštění alarmu v obchodu.

V případě, že došlo k závažnému incidentu s vaším výrobkem, informujte společnost Vermeiren nebo svého specializovaného prodejce a příslušný úřad ve vaší zemi.

2.3 Symboly na invalidním vozíku



Max. hmotnost uživatele v kg



Domácí/venkovní použití



Max. bezpečný sklon ve ° (stupních).



Typové označení

2.4 Přeprava

2.4.1 Přeprava vozidlem jako zavazadlo

 **VAROVÁNÍ** Riziko zranění

- Dohlédněte na to, aby byl invalidní vozík řádně uchycen, aby se předešlo zranění cestujících při nehodě či náhlém zabrzdění.
 - Pro zabezpečení invalidního vozíku a cestujícího NIKDY nepoužívejte stejný bezpečnostní pás.
1. Demontujte podnožky, područky a příslušenství.
 2. Bezpečně uložte loketní opěrky a příslušenství.
 3. Pokud je to možné, složte invalidní vozík a sundejte zadní kola.
 4. Umístěte vozík do zavazadlového prostoru.
 5. Pokud prostor pro cestující a invalidní vozík NENÍ oddělený, upevněte rám vozíku bezpečně k vozidlu. Můžete použít bezpečnostní pásy vozidla.

CS

2.4.2 Použití invalidního vozíku jako sedadla v motorovém vozidle

 **VAROVÁNÍ** Riziko zranění

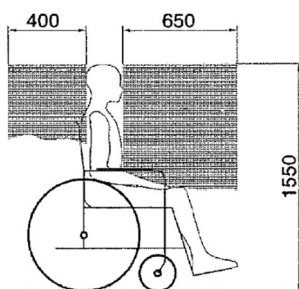
- Invalidní vozík prošel crash testy podle ISO 7176-19: 2008 a jako takový byl navržen a testován pro použití jako sedadlo v motorových vozidlech umístěné pouze ve směru jízdy.
- Samotný pánevní pás invalidního vozíku není vhodný pro použití jako zádržný systém pro cestující.

Invalidní vozík je testován pomocí čtyřbodového upínacího systému a třibodového zádržného systému.

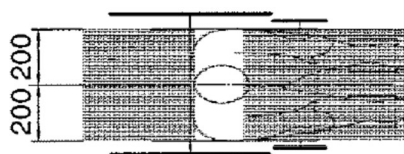
Kdykoliv je to možné, použijte sedadlo vozidla a invalidní vozík uložte do úložného prostoru.

Postup zajištění invalidního vozíku v motorovém vozidle:

1. Zkontrolujte, zda je vozidlo vybaveno vhodným upínacím systémem pro invalidní vozík a zádržným systémem pro cestující, který odpovídá ISO 10 542.
2. Zkontrolujte, že jsou komponenty invalidního vozíku připoutány a zádržný systém pro cestující není opotřebený, znečištěný, poškozený nebo rozbitý.
3. Pokud vozík disponuje funkcí naklonění sedadla a / nebo zádové opěrky, ujistěte se, že uživatel invalidního vozíku sedí maximálně přímé poloze. Pokud toto stav uživatele neumožňuje, měl by být provedeno posouzení rizik za účelem hodnocení bezpečnosti uživatele během přepravy.
4. Sundejte veškeré příslušenství, jako jsou podnosy a respirační vybavení, a bezpečně je zajistěte.
5. Invalidní vozík umístěte ve směru jízdy a centrálně mezi úchyty kolejnice připevněné k podlaze vozidla.
6. Ujistěte se, že se ve vyznačené zóně kolem uživatele invalidního vozíku nenachází žádné pevné části vozidla.



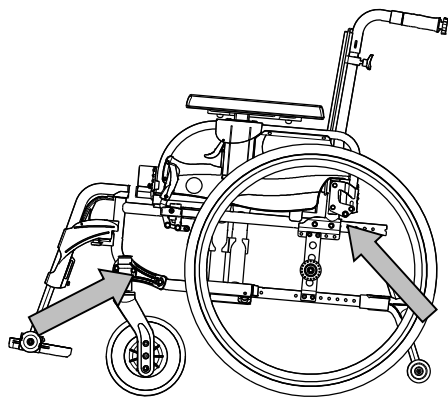
Obrázek 1



Obrázek 2

7. Zapněte přední bezpečnostní popruhy na vyznačeném místě podle pokynů výrobce pásového systému (obrázek 3). Toto místo je na invalidním vozíku označeno symbolem (obrázek 4).
8. Popojed'te invalidním vozíkem dozadu, dokud se přední popruhy nevyhpnou.
9. Aktivujte brzdu invalidního vozíku.
10. Zapněte zadní bezpečnostní popruhy na vyznačeném místě podle pokynů výrobce pásového systému (obrázek 3). Toto místo je na invalidním vozíku označeno symbolem (obrázek 4).

CS



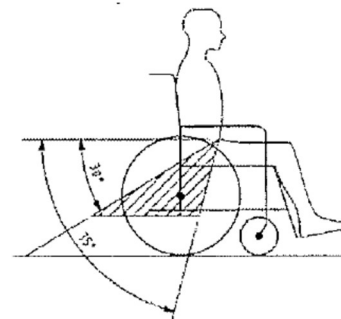
Obrázek 3



Obrázek 4

Postup zabezpečení uživatele invalidního vozíku:

1. Sundejte obě loketní opěrky.
2. Pokud máte k dispozici pánevni pás k invalidnímu vozíku, připevněte jej.
3. Upevněte pásy zádržného systému pro cestujícího podle pokynů výrobce pásového systému.
4. Pánevní vás mějte nasazený nízko přes přední část pánve tak, aby tady byl úhel pánevniho pásu v preferované zóně 30° až 75° od horizontální roviny, jak je vyobrazeno níže.
5. Preferované zóně je žádoucí strmější (vyšší) úhel.
6. Nastavte pás pevně podle pokynů výrobce pásového systému a v souladu s pohodlím uživatele.
7. Ujistěte se, že je zádržný pás připojen přímo ke kotevnímu bodu vozidla, a že na něm nejsou pozorovatelné žádné záhyby, například u osy zadního kola.
8. Pokud je to třeba, nainstalujte loketní opěrky. Ujistěte se, že pásy nejsou překroucené nebo mimo tělo komponent invalidního vozíku, jako jsou loketní opěrky nebo kola.



ZÁDRŽNÉ PÁSY BY NEMĚLY BÝT DRŽENY OD TĚLA KOMPONENTAMI INVALIDNÍHO VOZÍKU, JAKO JSOU LOKETNÍ OPĚRKY NEBO KOLA



PÁNEVNÍ PÁSY BY MĚLY BÝT ZCELA V KONTAKTU S PŘEDNÍ ČÁSTÍ TĚLA POBLÍŽ SPOJENÍ STEHNA A PÁNVE



2.5 Složení a rozložení



CAUTION

Risk of injuries

Udržujte prsty mimo pohyblivé části invalidního vozíku.

2.5.1 Rozkládání invalidního vozíku

1. Postavte se za invalidní vozík.
2. Pomocí madel otevřete invalidní vozík do maximální možné polohy.
3. Postavte se před invalidní vozík.
4. Zatlačte obě sedací trubky rámu dolů až do fixní polohy.

2.5.2 Skládání invalidního vozíku

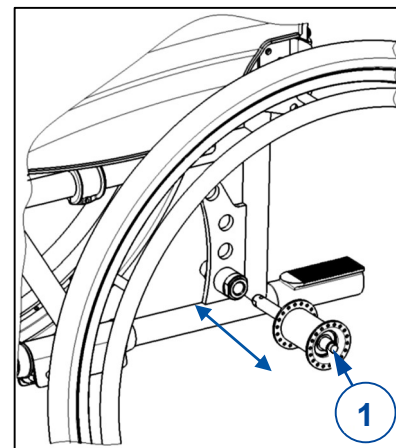
1. Složte stupačky nebo demontujte podnožky (viz kapitola 3.1).
2. Uchopte sedadlo za přední a zadní část a vytáhněte jej.

2.5.3 Montáž zadních kol

1. Uchopte zadní kolo a zmáčkněte tlačítko ①.
2. Držte tlačítko stisknuté a nasadte zadní kolo na osu, dokud se nezastaví.
3. Povolte tlačítko.
4. zkontrolujte bezpečné uchycení kola.

2.5.4 Sejmutí kol

1. Ujistěte se, že jsou brzdy deaktivované.
2. Položte invalidní vozík na bok tam, kde chcete sejmut kolo.
3. Stiskněte tlačítko ① ve středu osy kola.
4. Vytáhněte kolo z rámu.



2.6 Skladování



Dbejte na to, aby byl invalidní vozík uložen v suchém prostředí, aby na něm nemohly růst plísně a nepoškodilo se čalounění, viz též kapitola 5.

3 Použití invalidního vozíku


VAROVÁNÍ

Riziko zranění

- Nejprve si přečtěte předchozí kapitoly a seznamte se se zamýšleným použitím. Invalidní vozík NIKDY nepoužívejte, dokud si nepřetete a plně neporozumíte všem pokynům.
- V případě pochybností či dotazů bez obav požádejte svého místního odborného prodejce, poskytovatele péče nebo technického poradce, aby vám pomohl.

CS

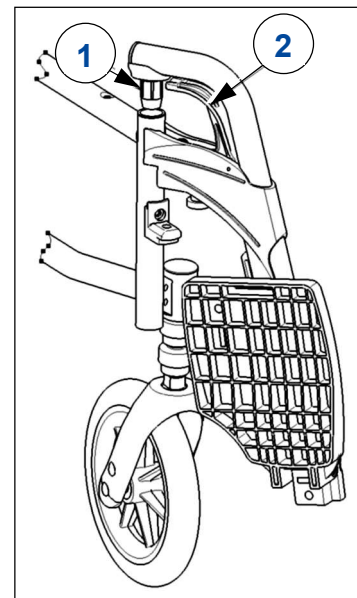
3.1 Montáž a demontáž podnožek

Postup montáže podnožek je následující:

1. Podržte podnožky příčně z vnější strany rámu invalidního vozíku a vložte čepičku trubice ① do rámu.
2. Otočte podnožky směrem dovnitř, dokud nezacvaknou.
3. Spusťte stupačku směrem dolů.

Postup demontáže podnožek:

1. Zatáhněte za páčku ②.
2. Vytočte podnožky do vnější strany od invalidního vozíku, dokud se neuvolní z vodícího prvku.
3. Vytáhněte podnožky z rámu ①.



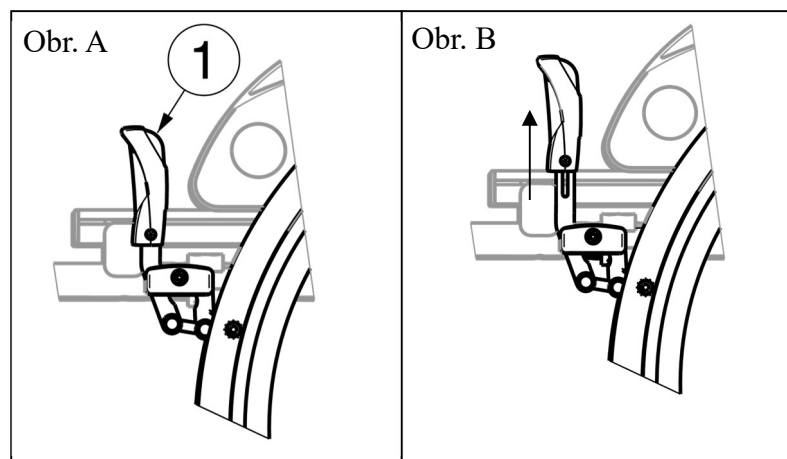
3.2 Ovládání brzd


POZOR

Riziko zranění

- Brzy neslouží ke zpomalování pohybu invalidního vozíku. Brzdy používejte pouze pro zabránění před nežádoucím pohybem invalidního vozíku.
- Správnou funkci brzd ovlivňuje opotřebení a znečištění kol (voda, olej, bláto, ...). Před každým použitím zkontrolujte stav kol.
- Brzdy jsou nastavitelné a mohou se opotřebovat. Před každým použitím zkontrolujte stav brzd.
- Před uvolněním brzd se ujistěte, že se invalidní vozík nachází na horizontálním povrchu. Nikdy neuvolňujte obě brzdy současně.

Pro snížení brzdové síly je možné prodloužit brzdovou páčku (obr. B).



Použití brzd (obr. A):

1. Zatlačte brzdové páčky směrem vpřed až do zřetelného zacvaknutí.

Postup uvolnění brzd:

1. Uvolněte jednu brzdu zatáhnutím páčky směrem dozadu.
2. Rukou podržte poháněcí obruč odbrzděného kola.
3. Uvolněte druhou brzdu zatáhnutím páčky směrem dozadu.

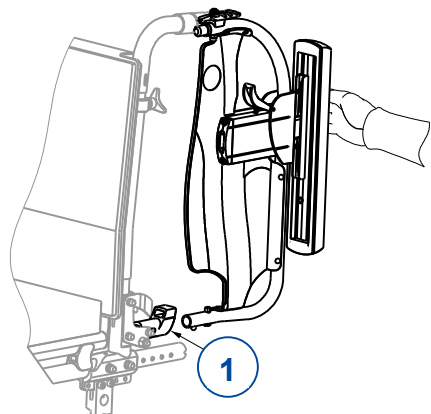
3.3 Montáž a demontáž loketních opěrek


POZOR

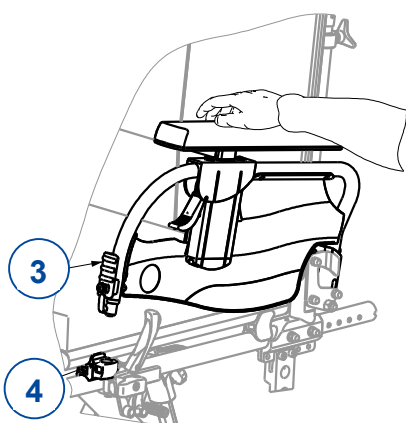
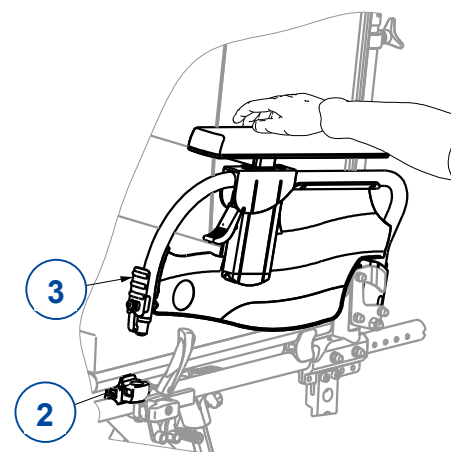
Riziko zranění

- Udržujte prsty, přezky a oděvy mimo spodní stranu loketní opěrky.

Loketní opěrky invalidního vozíku připevněte podle následujících pokynů.



1. Vsuňte zadní trubici loketní opěrky do rámu vozíku (1).
2. Ujistěte se, že loketní opěrka zacvakne do uzamykacího mechanismu.
3. Sklopte loketní opěrku směrem dopředu.
4. Zacvakněte přední trubici loketní opěrky do rámu vozíku (2).



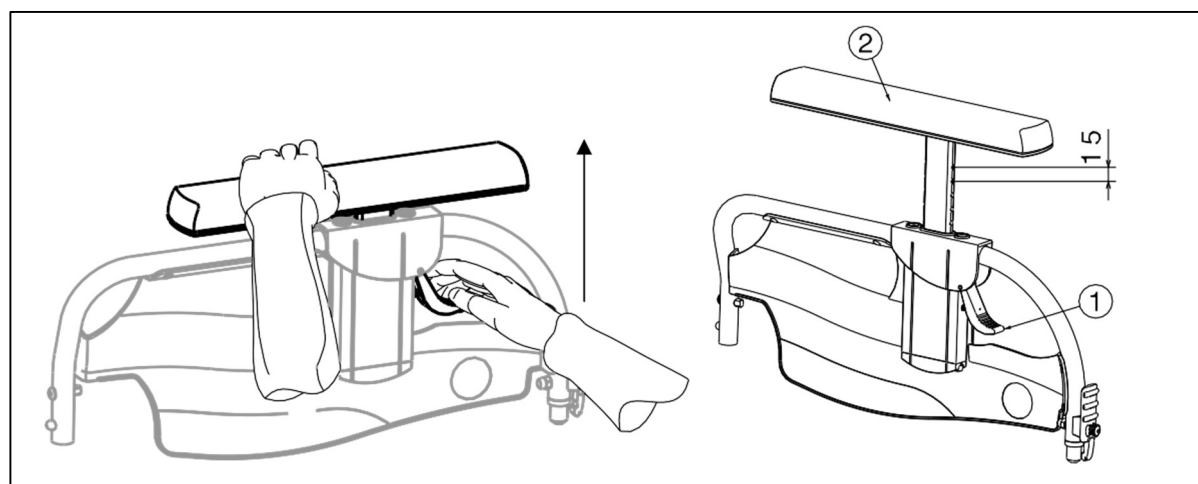
Postup otevření a sejmutí loketní opěrky:

1. Stiskněte páčku (3) a zatáhněte za přední část opěrky nahoru.
2. Odklopte loketní opěrku směrem dopředu.
3. Pro sejmutí loketní opěrky stiskněte tlačítko (4) a vytáhněte zadní část loketní opěrky z rámu vozíku (1).

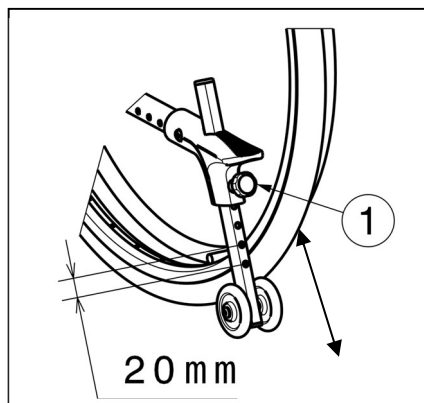
3.4 Nastavení područek

Výška područek lze nastavit ve 8 polohách (rozsah 105 mm: kroky 15 mm).

1. Zatlačte za páčku (1).
2. Nastavte loketní opěrku (2) do požadované výšky.
3. Uvolněte páčku (1).
4. Zkontrolujte, zda je loketní opěrka (2) pevně zajištěná.



3.5 Nastavení zařízení proti překlopení



Výšku zařízení proti překlopení lze nastavit ve 7 polohách (rozsah 120 mm: kroky 20 mm):

1. Uvolněte hvězdicový šroub ①.
2. Posuňte trubici zařízení proti překlopení do požadované výšky.
3. Utáhněte hvězdicový šroub ①.
4. Zkontrolujte, zda je zařízení proti překlopení pevně zajištěné.

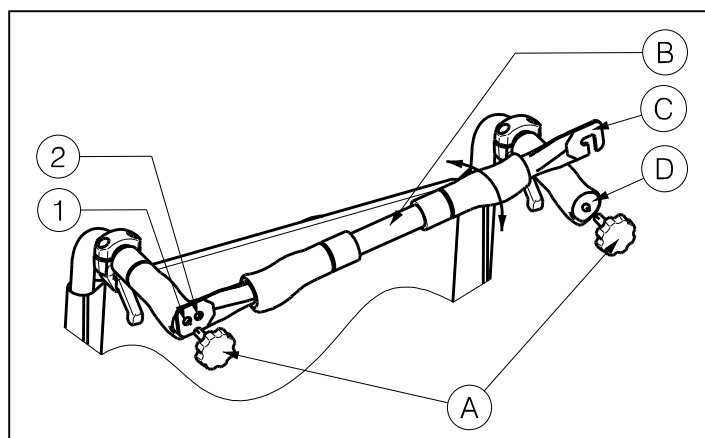
3.6 Montáž a demontáž tlačné tyče



VAROVÁNÍ

Riziko zranění

- Ujistěte se, že jsou hvězdicové úchytky ① utažené.
- Pokud je k dispozici tlačná tyč, vždy musí být nainstalována za účelem zvýšení stability zádové části.



Namontování tlačné tyče:

1. Uchyťte tlačnou tyč ② pomocí hvězdicového šroubu ① k levému madlu.
2. Dejte tlačnou tyč ② do vodorovné polohy směrem doprava.
3. Háček ③ zachyťte za pravé ④ podle obrázku. Pro nastavení vypnutí zádové opěrky použijte otvory (1) nebo (2).

Postup sejmutí tlačné tyče:

1. Uvolněte hvězdicový šroub ① na pravém madlu.
2. Sejměte háček ③ z pravého madla ④.

3.7 Výška rukojetí

Rukojeti lze plynule nastavovat až do délky 60 mm:

1. Uvolněte šroub (1).
2. Posuňte rukojeť nahoru / dolů do požadované výšky.
3. Utáhněte šroub (1).
4. Opakujte pro druhou rukojeť. Ujistěte se, že jsou obě rukojeti pevně zajištěny.



3.8 Přesun pacienta do a z invalidního vozíku

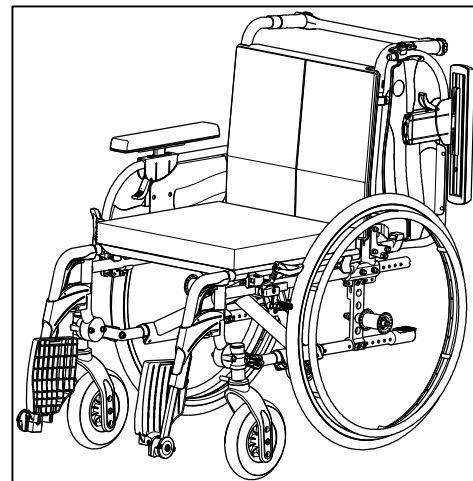


POZOR

Riziko zranění

- Pokud nemůžete vykonat bezpečný přesun sami, požádejte někoho o pomoc.
- Nestoupejte na stupačky.

1. Umístěte invalidní vozík co nejbližší k židli, gauči nebo posteli, ze které/na kterou má pacient nasednout.
2. Ověřte, že jsou obě brzdy invalidního vozíku zajištěné.
3. Odklopte stupačky směrem nahoru, aby se na ně nedalo našlápnout.
4. Pokud přesun probíhá na boku invalidního vozíku, demontujte loketní opěrku na dané straně směrem nahoru (viz kapitola 3.3) a sklopte brzdovou páčku dolů.
5. Proveďte přesun na/z invalidního vozíku.



CS

3.8.1 Správná poloha v invalidním vozíku

Doporučení pro komfortní používání invalidního vozíku:

- Dejte svá záda co nejbližší k zádové opěrce.
- Ujistěte se, že máte horní část nohou v horizontální poloze – v případě potřeby upravte délku podnožek (viz instalační manuál).

3.9 Jízda v invalidním vozíku



UPOZORNĚNÍ

Riziko zranění a poškození

- Před každým použitím ověřte, že:
 - parkovací brzdy správně fungují;
 - pneumatiky jsou v dobrém stavu, viz odst. 4.
- Nedopustíte, aby se do drátů výpletu kola zachytily vaše prsty.
- Nepoužívejte ruční ráfky, máte-li mokré ruce.
- Při průjezdu úzkými průchody se chraňte před skřípnutím rukou na ručních ráfcích.
- **NEJEZDĚTE** na svazích, přes překážky, schody nebo obrubníky větší, než je předepsáno v odst. 5.
- Když zastavíte na (mírném) svahu, použijte brzdy.
- Během jízdy dolů ze svahu dbejte na to, aby se všechna čtyři kola dotýkala země.
- Na svazích jezděte co nejpomaleji.
- Při jízdě po veřejných komunikacích zůstávejte vždy na chodníku.
- Dávejte pozor, zda na silnici nejsou díry nebo spáry, které by mohly způsobit skřípnutí kol.
- Vyhýbejte se kamenům a jiným předmětům, které mohou zablokovat kola.
- Při přejíždění překážky dávejte pozor, aby se stupátka nedotkla země.
- Tento invalidní vozík nepoužívejte na eskalátoru.
- Je-li k dispozici bezpečnostní pás, připevněte se.
- Abyste nezranili osoby stojící okolo nebo nepoškodili předměty, myslete vždy na rozsah pohybu stupátka.
- Nemáte-li dostatek zkušeností s jízdou na svém invalidním vozíku, požádejte doprovod o asistenci. Nesahejte rukama na kola a nohy nechte spočívat na stupátku.
- Schody musejí být vždy zvládnuty za asistence dvou osob doprovodu.
- Nikdy nezkoušejte používat schody, které nejsou vhodné pro invalidní vozíky.

3.9.1 Jízda na invalidním vozíku:

1. Odbrzďte brzdy.
2. Uchopte oba ruční ráfky v jejich nejvyšším místě.
3. Nakloňte se dopředu a tlačte ruční ráfky dopředu, dokud se vaše paže nenarovnají.
4. Přemístěte ruce zpět na nejvyšší místo ručních ráfků a opakujte pohyb.

3.9.2 Pohyb ve svahu



VAROVÁNÍ

Riziko zranění

- Ve svahu se pohybujte co nejpomaleji.
- Pokud váš asistent není dostatečně zdatný pro ovládání invalidního vozíku, aktivujte brzdy.
- Nakloňte se vpřed pro přesunutí těžiště dopředu za účelem získání lepší stability.



1. Mějte zapnutý bezpečnostní pás, pokud je k dispozici u invalidního vozíku.
2. Nejezděte příliš vysoko do svahu. Maximální sklony svahu (nahoru a dolů) jsou uvedeny v tabulce 1.
3. Při jízdě ve svahu požádejte o pomoc asistenta.
4. Nakloňte se vpřed pro přesunutí těžiště dopředu.

3.9.3 Překonávání schodů či obrubníků



VAROVÁNÍ

Riziko zranění

- Pokud s vaším invalidním vozíkem nemáte dostatečné zkušenosti, požádejte o pomoc asistenta.

Jízda z obrubníku nebo ze schodu dolů

Sjíždění nízkých obrubníků lze provést popředu. Ujistěte se, že se podnožky nedotknou země.



Zkušený uživatel může překonávat malé schody nebo obrubníky sám.

1. Přeneste těžiště na zadní kola pro snížení zátěže na předních kolech.
2. Sjedzte z obrubníku.

Vyšší obrubníky můžete překonat popředu s pomocí asistenta:

1. Požádejte asistenta, aby invalidní vozík naklonil mírně dozadu.
2. Sjedzte z obrubníku po zadních kolech.
3. Postavte invalidní vozík zpět na čtyři kola.

Zkušený uživatel může vyšší obrubníky překonávat sám. Nejlépe to jde pozadu.



1. Otočte invalidní vozík zadními koly směrem k obrubníku.
2. Nakloňte se vpřed pro přesunutí těžiště dopředu.
3. Přiblížte se s vozíkem k obrubníku.
4. Pomocí poháněcích obrouč kontrolovaně sjedzte invalidním vozíkem z obrubníku.

Jízda do schodu nebo na obrubník

Postup jízdy do schodu nebo na obrubník s pomocí asistenta:

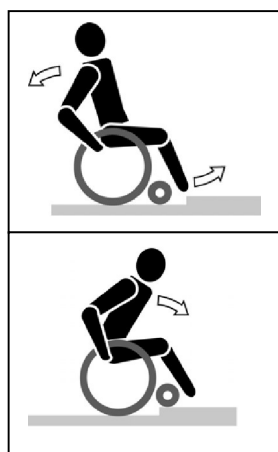


1. Ujistěte se, aby se podnožky nedotkly obrubníku.
2. Požádejte asistenta, aby naklonil invalidní vozík směrem vzad, tak akorát, aby přední kola mohla najet na obrubník.
3. Nakloňte se dozadu pro přesunutí těžiště nad zadní kola.
4. Najedzte předními koly na obrubník.
5. Najedzte zadními koly invalidního vozíku na obrubník.

Na vyšší obrubníky se najíždí pozadu:

1. Otočte invalidní vozík zadními koly směrem k obrubníku.
2. Nakloňte se dozadu pro přesunutí těžiště nad zadní kola.
3. Požádejte asistenta, aby s invalidním vozíkem najel na obrubník.
4. Vraťte se do běžné polohy na invalidním vozíku.

Zkušený uživatel může obrubníky překonávat sám:



1. Přijedte k obrubníku.
2. Ujistěte se, že se podnožky nedotknou obrubníku.
3. Nakloňte se vzad a držte rovnováhu na zadních kolech.
4. Najedzte předními koly na obrubník.
5. Nakloňte se vpřed pro získání větší stability.
6. Najedzte zadními koly na obrubník.

3.9.4 Po schodech



VAROVÁNÍ

Riziko zranění

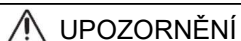
- Při jízdě po schodech se vyžadují vždy 2 asistenti.

K jízdě po schodech s invalidním vozíkem se vztahují následující pravidla:

1. Jeden asistent nakloní invalidní vozík mírně dozadu.
2. Druhý asistent uchopí přední část rámu.
3. Buďte klidní, vyvarujte se náhlým pohybům a své ruce mějte uvnitř vozíku.
4. Po schodech jeďte po zadních kolech vozíku.

4 Údržba

4.1 Body údržby



UPOZORNĚNÍ

Riziko zranění a poškození

Opravy a výměny smějí provádět pouze vyškolené osoby. Přitom je třeba používat pouze originální náhradní díly společnosti Vermeiren.

i Servisní intervaly závisejí na intenzitě a frekvenci používání. Požádejte svého prodejce o společnou dohodu na rozvrhu kontrol/údržby/oprav.

Viz webových stránkách společnosti Vermeiren: www.vermeiren.com.

Před každým použitím

Zkontrolujte následující:

- Všechny části: Přítomné a nepoškozené či neopotřebované.
- Všechny části: Čisté, viz odst. 4.2.2.
- Kola, opěradlo, sedadlo, lýtkové opěrky, područky, stupátka: Dobré zajištění.
- Stav kol/pneumatik, viz § 4.2.1.
- Stav součástí rámu: Žádná deformace, nestabilita, zeslabení nebo uvolněné spoje
- Sedadlo, opěradlo, opěrky rukou, opěrky lýtek a opěrka hlavy (je-li použita): Bez nadměrného opotřebení (např. promáčknutá místa, poškození nebo roztržení).
- Brzdy: Nepoškozené a funkční.

Pro případné opravy či výměny částí se obraťte na svého odborného prodejce.

Ročně nebo častěji

Tento invalidní vozík nechte u odborného prodejce ke kontrole a provedení servisu alespoň jednou ročně nebo častěji. Minimální četnost údržby závisí na používání, a proto by měla být společně dohodnuta s vaším odborným prodejcem.

4.2 Pokyny pro údržbu

4.2.1 Kola a pneumatiky

i Správná funkce brzd závisí na stavu pneumatik a může se měnit kvůli opotřebení a znečištění (voda, olej, bláto atd.).

Udržujte kola bez drátů, vlasů, písku a vláken.

Zkontrolujte vzorek na pneumatikách. Je-li hloubka dezénu menší než 1 mm, musí být pneumatiky vyměněny. Obraťte se v této věci na svého odborného prodejce.

Nahustěte každou pneumatiku na správný tlak (viz vyznačení tlaku na pneumatikách).

4.2.2 Čištění

UPOZORNĚNÍ

Riziko poškození vlhkostí

- K čištění invalidního vozíku nikdy nepoužívejte hadici ani vysokotlaký čistič.

Otřete všechny pevné části invalidního vozíku vlhkým (nikoli mokrým) hadříkem. V případě potřeby použijte jemné mýdlo vhodné na laky a syntetické barvy.

Čalounění lze vyčistit vlažnou vodou a jemným mýdlem. K čištění nepoužívejte abrazivní čisticí prostředky.

4.2.3 Dezinfekce

UPOZORNĚNÍ

Riziko poškození

- Dezinfekci mohou provádět pouze kvalifikované osoby. Poradte se se svým prodejcem.

4.3 Řešení problémů

I když tento invalidní vozík používáte správně, může se vyskytnout technický problém. V takovém případě se obraťte na svého místního odborného prodejce.



VAROVÁNÍ

Riziko zranění a poškození invalidního vozíku

- NIKDY sami nezkoušejte vyřešit problém opravou tohoto invalidního vozíku.

Následující příznaky mohou znamenat vážný problém. Proto se obraťte na svého odborného prodejce vždy, když zaznamenáte některou z následujících odchylek:

- divný zvuk;
- nerovnoměrné opotřebení dezénu na jedné z pneumatik;
- trhavé pohyby;
- invalidní vozík se naklání na jednu stranu;
- poškozené či rozbité sestavy kol.



4.4 Očekávaná životnost

Průměrná životnost tohoto invalidního vozíku je 5 let. V závislosti na četnosti použití, jízdních podmínkách a údržbě se životnost tohoto invalidního vozíku prodlouží nebo zkrátí.

4.5 Znovupoužití výrobku

Před každým dalším použitím nechte invalidní vozík dezinfikovat, zkontrolovat a provést servis podle pokynů v odst. 4.1 a odst.4.2.

4.6 Konec používání

Po skončení životnosti musí být invalidní vozík zlikvidován podle místní legislativy pro životní prostředí. Nejlepším způsobem likvidace je rozebrání invalidního vozíku pro usnadnění přepravy recyklovatelných součástí.

5 Technické údaje

Technické údaje níže jsou platné pro invalidní vozík ve standardním nastavení. Pokud se používají podnožky/loketní opěrky nebo další příslušenství, tabulkové hodnoty se změň.

Značka	Vermeiren
Typ	Invalidní vozík
Model	V300DL
Maximální hmotnost uživatele	130 kg

Popis	Rozměry – minimální			Rozměry – maximální		
	Celková délka s podnožkami	1000 - 1040 mm				
Účinná šířka sedadla	390 mm	420 mm	440 mm	460 mm	480 mm	500 mm
Celková šířka (závisí na šířce sedadla)	600 mm	630 mm	650 mm	670 mm	690 mm	710 mm
Délka při složení bez podnožek	810 mm					
Šířka při složení	320 mm					
Výška při složení (závisí na výšce sedadla)	890 mm - 990 mm					
Celková hmotnost	18,8 kg					
Hmotnost nejtěžšího dílu	11 kg					
Hmotnosti dílů, které lze demontovat či odebrat	Podnožky: 1,70 kg; Loketní opěrky: 2,20 kg; Zadní kola: 3,7 kg					
Statická stabilita z kopce	10° (ve standardní konfiguraci)					
Statická stabilita do kopce	7° (ve standardní konfiguraci)					
Statická boční stabilita	18° (ve standardní konfiguraci)					
Překonávání překážek	60 mm					
Úhel roviny sedadla	0°			10°		
Účinná hloubka sedadla	440 mm			520 mm		
Výška povrchu sedadla na předním okraji	440 mm			530 mm		
Úhel zádové opěrky	5°					
Výška zádové opěrky	420 mm					
Vzdálenost mezi podnožkami a sedadlem)	330 mm			500 mm		
Úhel mezi sedadlem a stupačkami	5°			25°		
Úhel mezi sedadlem a podnožkami	105°					
Úhel mezi podnožkami a stupačkami	80°					
Vzdálenost mezi područkami a sedadlem	195 mm			300 mm		
Přední poloha konstrukce područky	335 mm			455 mm		
Průměr poháněcí obruče	535 mm					
Horizontální poloha osy kol (odchylka)	1,27 mm			61,04 mm		
Minimální poloměr zatáčení	1500 mm					
Průměr PU zadních kol	22"			24"		
Tlak pneumatik, zadní (hnací) kola	Max. 3,5 bar					
Průměr PU řídicích kol	200 mm					
Tlak pneumatik, řídicí kola	Max. 2,5 bar					
Materiál rámu	Hliník					
Materiál čalounění	Nylon					



Teplota skladování a používání	+ 5 °C	+ 41 °C
Vlhkost při skladování a používání	30 %	70 %
Právo na technické změny vyhrazeno. Tolerované odchylky ± 15 mm / 1,5 kg / 1,5°		





Service registration form

This product (name):

was inspected (I), serviced (S), repaired (R) or disinfected (D):

By (stamp): Kind of work: I / S / R / D Date:	By (stamp): Kind of work: I / S / R / D Date:	By (stamp): Kind of work: I / S / R / D Date:
By (stamp): Kind of work: I / S / R / D Date:	By (stamp): Kind of work: I / S / R / D Date:	By (stamp): Kind of work: I / S / R / D Date:
By (stamp): Kind of work: I / S / R / D Date:	By (stamp): Kind of work: I / S / R / D Date:	By (stamp): Kind of work: I / S / R / D Date:
By (stamp): Kind of work: I / S / R / D Date:	By (stamp): Kind of work: I / S / R / D Date:	By (stamp): Kind of work: I / S / R / D Date:
By (stamp): Kind of work: I / S / R / D Date:	By (stamp): Kind of work: I / S / R / D Date:	By (stamp): Kind of work: I / S / R / D Date:



Vermeiren GROUP
Vermeirenplein 1 / 15
2920 Kalmthout
BE

website: www.vermeiren.com