

User manual

MANUEL D'UTILISATION
GEBRUIKSAANWIJZING
GEBRAUCHSANWEISUNG
MANUALE DI ISTRUZIONI
MANUAL DE INSTRUCCIONES
INSTRUKCJA OBSŁUGI
NÁVOD K OBSLUZE

Bobby



Contents

Contents	1
Preface	2
1 Your product	3
2 Before use	4
2.1 Intended use	4
2.2 Explanation of symbols	4
2.3 General safety instructions.....	4
2.4 Transport.....	5
2.5 Folding/Unfolding the wheelchair	5
2.6 Storage	5
3 Using your wheelchair	6
3.1 Mounting or removing of the footrests.....	6
3.2 Folding / Unfolding the backrest.....	6
3.3 Operating the brakes.....	7
3.4 Transfer in and out the wheelchair	7
3.5 Riding the wheelchair.....	8
4 Installation and adjustment	9
4.1 Tools.....	9
4.2 Manner of delivery.....	9
4.3 Adjusting the footrests.....	9
4.5 Adjust the brakes	10
5 Maintenance	11
5.1 Points of maintenance.....	11
5.2 Maintenance instructions	11
5.3 Troubleshooting	12
5.4 Expected lifespan.....	12
5.5 Reuse.....	12
5.6 End of use	12
6 Technical specifications	13

Preface

Congratulations! You are now owner of a Vermeiren wheelchair!

This wheelchair is made by qualified and committed personnel. It is designed and produced according to high quality standards, guarded by Vermeiren.

Please read this manual carefully; it will help you to get familiar with the operation, capabilities and limitations of your wheelchair. If you still have questions after reading this manual, do not hesitate to contact your specialist dealer. He/she will be glad to help you.

Important note

To ensure your safety, and to prolong the lifetime of your product, please take good care of it and have it checked and serviced on a regular basis.

This manual reflects the latest product developments. Vermeiren has the right to implement changes to this type of product without any obligation to adapt or replace similar products previously delivered.

Pictures are used to clarify the instructions in this manual. Details of the depicted product may deviate from your product.

Information available

On our website <http://www.vermeiren.com/> you will always find the most recent version of the information in this manual. Please consult this website regularly for possible updates.

Visually impaired people can download the electronic version of this manual and have it read out by means of a text-to-speech software application.



User manual

For user and specialist dealer



Service manual for wheelchairs

For specialist dealer



EC declaration of conformity

1 Your product



1. Cross
2. Handgrips
3. Backrests
4. Arm pads
5. Armrests
6. Driving wheels (rear wheels)
7. Brakes
8. Tip cap
9. Steering wheels (front wheels)
10. Footrests
11. Footplates
12. Seat
13. Location identification plate

2 Before use

2.1 Intended use

In this paragraph a brief description of the intended use of your wheelchair is given. Additionally, relevant warnings are added to the instructions in the other paragraphs. In this way we would like to make you aware of the possible misuse that may appear.

- Indications and contraindications: The user has the wheelchair pushed by an attendant. The wheelchair is intended for people with walking difficulties, to be used non-permanently and for transport purposes. The different types of fittings and accessories, and the modular construction allow full use by aged persons.
- The wheelchair is suited for indoor and outdoor use.
- The wheelchair is designed to transport one (1) person with a maximum weight of 115 kg. It is not designed for transportation of goods or objects, nor for any use other than previously described.
- Only use accessories and spare parts approved by Vermeiren.
- Please read all technical details and limits of your wheelchair in chapter 6.
- The warranty of this product is based on normal use and maintenance as described in this manual. Damage to your product caused by improper use or lack of maintenance will cause the warranty to lapse.

2.2 Explanation of symbols



Maximum weight of the user in kg



Indoor/outdoor use



Maximum safe slope in ° (degrees).



Type designation

2.3 General safety instructions

- Do not use your wheelchair if you are under influence of alcohol, medicines or other substances that may influence your riding abilities.
- Be aware that some parts of your wheelchair may get very hot or cold due to ambient temperature, solar radiation or heating devices. Be careful when touching. Wear protective clothing if the weather is cold. When going outdoors, riding gloves can be used to improve the grip on the hand rims.
- Do not modify your wheelchair in any way.
- To prevent injury and/or damage to your wheelchair, make sure that no objects and/or body parts are caught in the spokes of the driving wheels.

Be aware that your wheelchair may interfere with some types of anti-theft systems, depending on the settings used. This may cause the shop's alarm to go off.

In case a serious incident has occurred involving your product, notify Vermeiren or your specialist dealer as well as the competent authority in your country.

2.4 Transport

2.4.1 Moving out of the way

The best way to move the wheelchair is to make use of the wheels and roll the wheelchair.

If this is not possible (e.g. when the rear wheels are taken off for transportation in a car), firmly grasp the frame on the front and the handgrips. Do not use the foot- or armrests or the wheels to grasp the wheelchair.

2.4.2 Transport by vehicle, as luggage


 **WARNING** Risk of injury

- Do NOT use your wheelchair as a seat in a vehicle, see the following symbol.
- Make sure that the wheelchair is properly secured to avoid injury to the passengers during collision or sudden braking.
- NEVER use the same seatbelt to attach the wheelchair and passenger.



1. Fold the wheelchair to its most compact size according to the instructions in § 2.5.
2. Store the wheelchair and its wheels in the luggage compartment or behind the passenger seat. If luggage and passenger compartments are NOT separated or enclosed, fasten the wheelchair frame securely to the vehicle.

2.5 Folding/Unfolding the wheelchair

 **CAUTION** Chance of pinching – Do not place fingers between the components of the wheelchair.

To fold:

1. Fold or remove the footplates (see § 3.1).
2. Fold the backrest (see §3.2).
3. Take the seat on the front side and backside and pull it up.
4. Push the handgrips to fold up the wheelchair further.

To unfold:

1. Position yourself behind the wheelchair.
2. Unfold the backrest (see §3.2).
3. Use the handgrips to open the wheelchair as much as possible.
4. Position yourself at the front of the wheelchair.
5. Push both seating tubes down until they are fixed in position.

2.6 Storage

- i** Make sure that your wheelchair is stored in a dry environment to prevent mould from growing and the upholstery from being damaged, see also chapter 6.

3 Using your wheelchair



CAUTION

Risk of injuries and/or damage

- First read previous chapters and inform yourself about the intended use. Do NOT use your wheelchair unless you have read and fully understood all instructions.
- In case of doubts or questions, do not hesitate to contact your local specialist dealer, your care provider or technical adviser to help you with this.
- Make sure that your hands, clothes, belts, buckles or jewellery don't get caught by wheels or other moving parts, during use or adjustment.

3.1 Mounting or removing of the footrests



CAUTION

Risk of injury

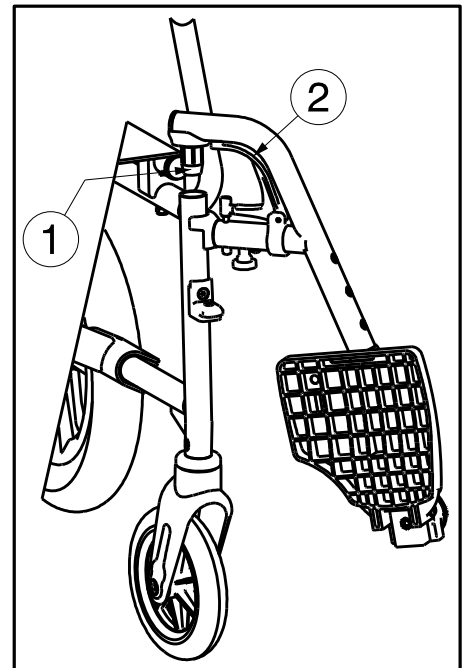
- Check that the footrests are securely locked in place before use.
- Keep objects away from the footrests swing range while mounting or removing the footrests.

The mounting of the footrests is done as follows:

1. Hold the footrest sideways at the outside of the wheelchair frame and mount the tube hood (1) into the frame.
2. Swing the footrest inwards until it clicks in position.
3. Swing the footplate downwards.

To take off the footrests:

1. Pull lever (2).
2. Swing the footrest to the outside of the wheelchair until it comes loose from the guidance.
3. Pull the footrest from tube hood (1).

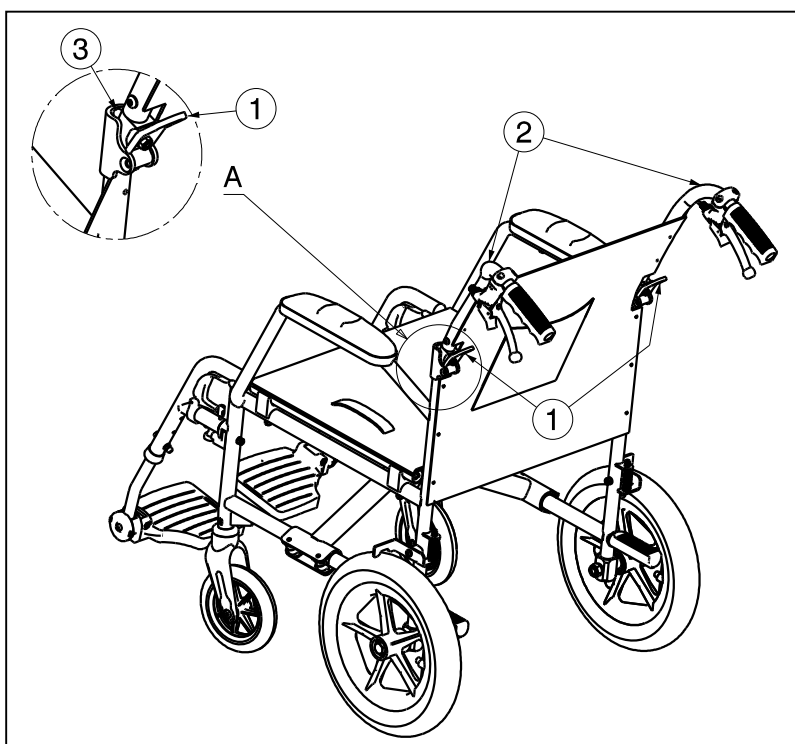


3.2 Folding / Unfolding the backrest



WARNING

Risk of injury – Check that the backrest is securely locked in place before use.



Folding the backrest is done as follows:

1. Pull on the levers ① until the pin ③ comes out the hole.
2. Pull the upper backrest tubes ② downwards until the backrest is fully folded.

To unfold the backrest:

1. Pull the backrest tubes ② upwards until the backrest is firmly secured.
2. Check that the backrest is locked in place.

3.3 Operating the brakes

 **WARNING** Risk of injury

- The brakes are not used to slow down the wheelchair during movements. Use the brake only to prevent the wheelchair from unintended movements.
- Good operation of the brakes is influenced by wear and contamination of the tires (water, oil, mud, ...). Check the condition of the tires before each use.
- The brakes are adjustable and can wear. Check the operation of the brakes before each use.
- Make sure the wheelchair is on a flat horizontal surface before releasing the brakes. Never release both brakes simultaneously.

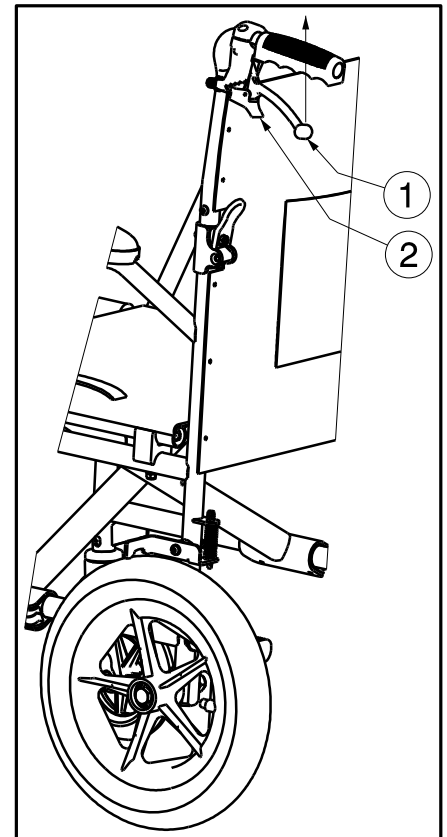
The brakes can only be activated by the attendant.

To apply the brakes:

1. Pull the brake levers (1) upwards.
2. Push on part (2) to block the brakes.

To release the brakes:

1. First release part (2).
2. Release the brake levers (1).



3.4 Transfer in and out the wheelchair

 **WARNING** Risk of injury and/or damage

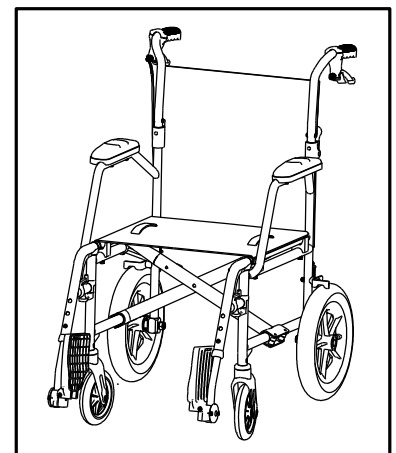
- In case you cannot perform the transfer in a safe manner, ask someone to assist you.
- Do not stand on the footplates.

1. Position the wheelchair as close as possible to the chair, couch or bed to/from you wish to transfer.
2. Check both brakes from the wheelchair are in the on position.
3. Fold the footplates upwards to prevent standing on them.
4. Transfer to/from the wheelchair.

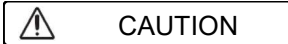
3.4.1 Correct position in the wheelchair

Some recommendations for a comfortable use of the wheelchair:

- Position your backside as close as possible to the backrest.
- Make sure your upper legs are horizontal. If needed, adjust the length of the footrests (see § 4.3).



3.5 Riding the wheelchair



Risk of injuries and damage

- Before every usage, make sure that:
 - parking brakes are working properly.
 - tires are in good condition, see §5.
- Prevent your fingers from being caught by the wheel spokes.
- Do NOT drive on slopes, obstacles, steps or kerbs larger than specified in §6.
- When you stop on a (small) slope, use your brakes.
- Make sure all four wheels touch the ground while riding up or down a slope.
- Take slopes as slow as possible.
- Always stay on the pavement when riding on public roads.
- Pay attention if the road has holes or gaps that may cause entrapment of the wheels.
- Avoid stones and other objects that may block the wheels.
- Make sure that the footplates do not touch ground while taking an obstacle.
- Do not use your wheelchair on an escalator.
- If available, wear your safety belt.
- Always keep the swing range of the footplate in mind to prevent bystanders from being injured or objects from being damaged.
- Stairs should always be negotiated with the help of two attendants.
- Never try to use stairs that are not appropriate for wheelchairs.

4 Installation and adjustment

The instructions in this chapter are for the specialist dealer.

The Vermeiren Bobby has been designed for short trips and easy transfer.

To find a service facility or specialist dealer near you, contact the nearest Vermeiren facility.

 **WARNING** Risk of injuries and damage

- Use only the settings described in this manual.
- Variation of allowed adjustments can still change the stability of your wheelchair (tilt back or sideways).

4.1 Tools

To set up the wheelchair the following tools are needed.


- Wrench set n° 10
- Allen key set n° 4
- Screwdriver Phillips head

4.2 Manner of delivery

The Vermeiren Bobby shall be delivered with:

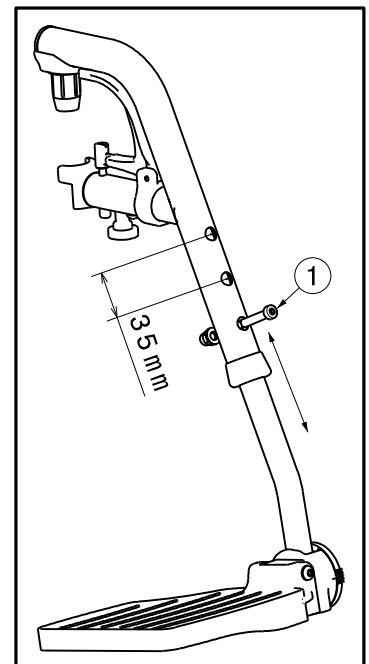
- 1 frame with armrests, rear and front wheels
- 1 pair footrests
- Tools
- Manual
- Accessories (optional)

4.3 Adjusting the footrests

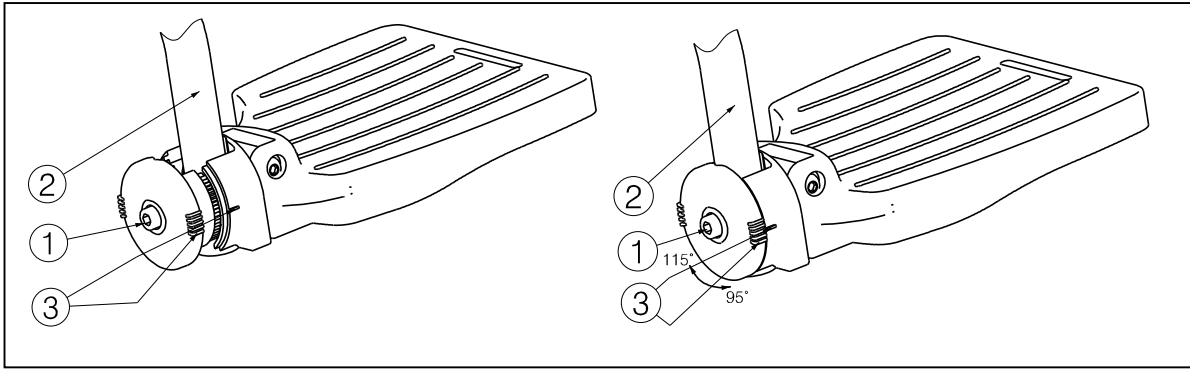
 **CAUTION** Risk of damage – Avoid that the footrests make any contact with the ground. Keep a minimum distance from 60 mm above the ground.

Adjust the length of the footrests as follow (3 holes on inside tube, 3 holes on outside tube ; 120mm range):

1. Remove the screw (1).
2. Adjust the length of the footrest to a comfortable length.
3. Tighten the screw (1) properly.




4.4.1 Adjusting angle footplates

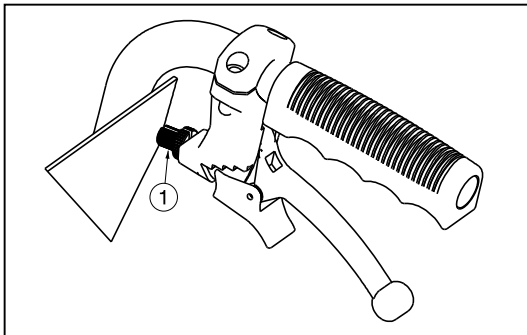


Adjust the angle of the footplates as follow:

1. Loosen bolt ①.
2. Adjust tube ② in the desired angle. The angle indication (95°-100°-105°-110°-115°) is according the dashes ③.
3. Retighten the bolt ①.

4.5 Adjust the brakes

 **WARNING** Risk of injury – Brakes may only be adjusted by your specialist dealer.



1. Turn on part ① to adjust the tension of the brakes.
2. Check working of the brakes.
3. If necessary repeat turning part ① until the brakes are adjusted well.

5 Maintenance

5.1 Points of maintenance

 CAUTION Risk of injuries and damage

Repairs and replacements may only be undertaken by trained persons and only genuine replacement parts of Vermeiren should be used.

- i** The last page of this manual contains a registration form for the specialist dealer to record each service.
The service frequency depends on the frequency and intensity of use. Contact your dealer to agree to a common timetable for inspection/maintenance/repair.
For the maintenance manual, refer to the Vermeiren website: www.vermeiren.com.

Before each use

Inspect the following points:

- All parts: Present and undamaged or unworn.
- All parts: Clean, see § 5.2.2.
- Wheels, backrest, seat, calf rests, arm rests, footplate: Well secured.
- Condition of wheels/tyres, see § 5.2.1;
- Condition of frame parts: No deformation, instability, weakness or loose connections
- Seat, backrest, arm pads, calf pads and head rest (if applied): No excessive wear (like dented spots, damage or tears).
- Brakes: Undamaged and functioning

Contact your specialist dealer for possible repairs or part replacements.

Yearly or more often

Have your wheelchair inspected and serviced by your specialist dealer, at least once a year, or more often. The minimum maintenance frequency depends on use and should therefore be commonly agreed on with your specialist dealer.

5.2 Maintenance instructions

5.2.1 Wheels and tyres

- i** Proper working of the brakes depends on the state of the tyres, and can change due to wear and contamination (water, oil, mud, ...).

Keep your wheels free of wires, hair, sand and fibres.

Check the profile of the tyres. If the tread depth is less than 1 mm, the tyres need to be replaced. Contact your specialist dealer for this matter.

5.2.2 Cleaning

 CAUTION Risk of damage by moisture

- Never use a hose or high-pressure cleaner to clean the wheelchair.

Wipe all rigid parts of the wheelchair with a damp cloth (not drenched). If necessary, use a mild soap, suitable for varnishes and synthetics.

The upholstery can be cleaned with lukewarm water and a mild soap. Do not use abrasive cleaning agents to clean.

5.2.3 Disinfection

CAUTION

Risk of damage

- Disinfections may only be undertaken by trained persons. Consult your specialist dealer.

5.3 Troubleshooting

Even if you use your wheelchair properly, a technical problem may occur. If this is the case, contact your local specialist dealer.

**WARNING**

Risk of injuries and damage to the wheelchair

- NEVER attempt to repair the wheelchair yourself.

The following symptoms may indicate a serious problem. Therefore always contact your specialist dealer if you spot any of the following deviations:

- Strange sound;
- Uneven tread wear on one of the tyres;
- Jerky movements;
- Wheelchair deflects to one side;
- Damaged or broken wheel assemblies.

5.4 Expected lifespan

The average lifespan of your wheelchair is 5 years. Depending on the frequency of use, driving circumstances and maintenance, the lifespan of your wheelchair will increase or decrease.

5.5 Reuse

Before each reuse, have the wheelchair disinfected, inspected and serviced according to the instructions in §5.1 and §5.2.

5.6 End of use

At end of life, you need to dispose your wheelchair according to the local environmental legislation. The best way to do so, is to disassemble the wheelchair to facilitate the transport of recyclable parts.

6 Technical specifications

The technical details below are only valid for this wheelchair, at standard settings and optimal ambient conditions. Take these details into account during use. The values are no longer applicable if your wheelchair has been modified, damaged or suffers from severe wear.

Table 1: Technical specifications

Make	Vermeiren	
Type	Manual wheelchair	
Model	Bobby	

Description	Specifications	
Maximum occupant mass	115 kg	
Overall length with footrest	950 mm	
Effective seat width	420 mm	480 mm
Overall width (depends on the seat width)	575 mm	635 mm
Folded length without footrest	740 mm	
Folded width	270 mm	
Folded height	750 mm	
Total mass	11,00 kg	11,55 kg
Mass of heaviest part	9,40 kg	9,95 kg
Masses of parts that can be dismantled or removed	Footrests: 1,60 kg	
Static stability downhill	10°	
Static stability uphill	10°	
Static stability sideways	10°	
Effective seat depth	420 mm	
Seat surface height at front edge	500 mm	
Seat angle	5°	
Backrest height	380 mm	
Backrest angle	5°	
Distance between footrest and seat	370 – 500 mm	
Angle between seat and footrest	114°	
Distance between armrest and seat	220 mm	
Front location of armrest structure	315 mm	
Hand rim diameter	NA	
Horizontal location of axle (deflection)	21 mm	
Minimum turning diameter	1500 mm	
Diameter Rear wheels	12,5"	
Tyre pressure, rear (driving) wheels	NA	
Diameter Steering wheels	150 mm	
Tyre pressure, front (steering) wheels	NA	
Storage and use temperature	+ 5 °C - + 41 °C	
Storage and use humidity	30% - 70%	

We reserve the right to introduce technical changes. Measurement tolerance ± 15 mm / 1,5 kg / 1,5°



Vermeiren GROUP
Vermeirenplein 1 / 15
2920 Kalmthout
BE

website: www.vermeiren.com

Instructions for specialist dealer

This instruction manual is part and parcel of the product and must accompany every product sold.

Version: B, 2022-07

Basic UDI: 5415174 122103Bobby WP

All rights reserved, including translation.