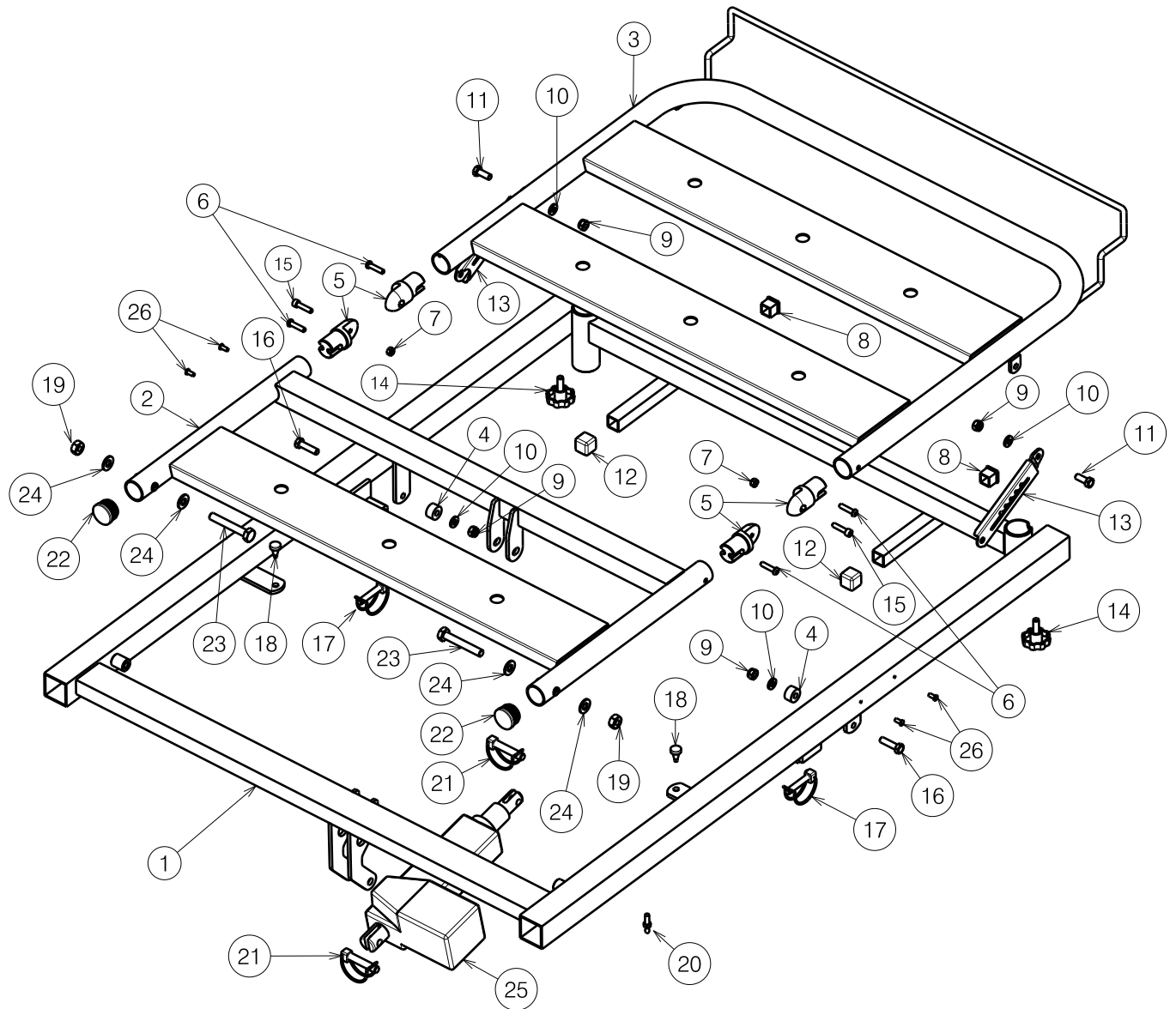


Material / Materiaal			
No. / Nr.	Plan	Article / Artikel	Number / Aantal
1	Y010760	16459..	1
2	Y010762	16461..	1
3	Y010763	16462..	1
4	X001158	G003317	2
5	X002308	1993121	4
6	---	1006998	4
7	---	1001680	2
8	---	1001612	2
9	---	1001682	4
10	---	1003199	4
11	---	1009400	2
12	---	1998968	2
13	---	1994231	2
14	---	1001580	2
15	---	1001494	2
16	---	1001443	2
17	---	1993594	2
18	---	1001637	2
19	---	1001672	2
20	---	1999943	1
21	---	1998885	2
22	---	1001610	2
23	---	1551600	2
24	---	1001557	4
25	---	1900046	1
26	---	1001583	4



REAR FRAME 997AL ACHTERFRAME 997AL			Plan No. / Plannr.
			E000325/E
Scale / Schaal: 1:9	Drafted / Getekend	Verified / Nagezien	Confirmed / Bevestigd
Date / Datum	04/01/2007	07/02/2012	07/02/2012
Init. / Init.	PS	JG	PJ

