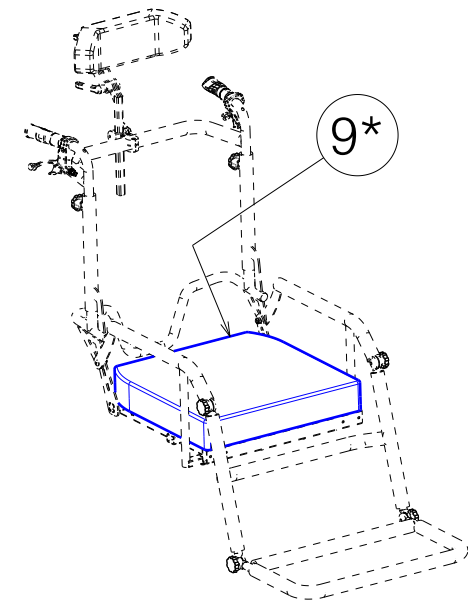



Material			
No.	Plan	Article	Quantity
1	XP03075 (45)	HP00675	1
	XP03074 (50)	HP00674	1
2	XP03085 (45)	2996658	1
	XP03086 (50)	2996659	1
3	XP03118 (45)	2996680	1
	XP03119 (50)	2996681	1
4	M6x50	1006997	2
5	Insert M6	1992516	2
6	Stretch Band	1998461	1,60 [m]
7	Black skai (45)	1994137	0,24 [m]
	Black skai (50)	1994137	0,26 [m]
8	Fabric Black (45)	1005328	0,15 [m]
	Fabric Black (50)	1005328	0,16 [m]
9*	Seat (45)	2996660	---
	Seat (50)	2996661	---



EP00537 / A

(\*) - numbers for complete, upholstered seat /  
numery na kompletne, tapicerowane siedzisko

SEAT SUPPORT / GRANULATING SYSTEM L70				Plan No.
				EP00537 / A
Scale: 1:5	Drafted	Verified	Confirmed	
Date	05/08/2020	02/12/2020	02/12/2020	
Initials	AZ	PM	TK	