
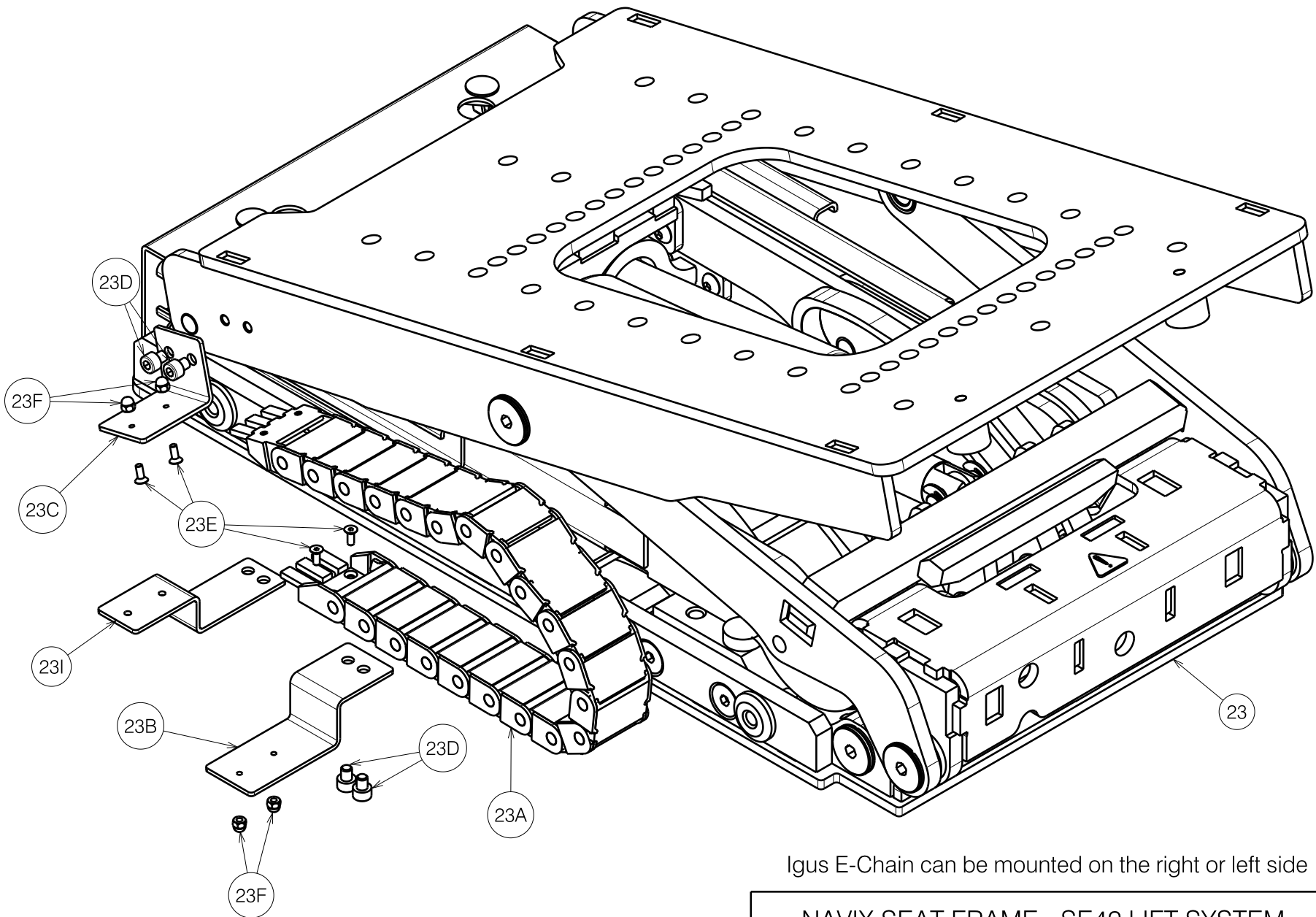


E000889 / C

1909830

Sheet 1/3

NAVIX SEAT FRAME - SE42 LIFT SYSTEM				Plan No. E000889 / C
Scale: 1:6	Drafted	Verified	Confirmed	
Date	15/10/2013	09/11/2018	09/11/2018	
Initials	JG	SD	PJ	



Iguus E-Chain can be mounted on the right or left side

1909830

NAVIX SEAT FRAME - SE42 LIFT SYSTEM				Plan No. E000889 / C
Sheet 2/3 - Lift chain				
Scale: 2:5	Drafted	Verified	Confirmed	
Date	15/10/2013	09/11/2018	09/11/2018	
Initials	JG	SD	PJ	

E000889 / C

Material				Material			
No.	Plan	Article	Quantity	No.	Plan	Article	Quantity
1	X001016	1001682	12	23G*	---	1907525	1
2	X004200	1902768	2	23H*	---	1909023	1
3	X004757	1753254	4	23I**	Y019862	1792154	1
4	X004860	1906817 (40)	1	24	M8x25 ISO7380	1990501	2
	X004855	1906741 (45)	1	25	M10 DIN985	1001683	1
	X004887	1906818 (50)	1	26	M8x20 ISO7380	1992349	6
5	Y017269	1751654 (40)	1	27	---	1992835	3
	Y017280	1748854 (45)	1	28	M8x45 ISO7380	1994473	4
	Y017375	1751554 (50)	1	29	---	1997486	1
6	Y017290	1753354 (40)	1	30	---	2990413	2
	Y017291	1753454 (45)	1	34	M10x35 ISO7380	1009442	1
	Y017292	1753554 (50)	1	35	X003111	1995853	2
7	Y016954	1752354 (40)	1	36	M8	1902024	2
	Y017347	1750154 (45)	1	8B	Y020017	1787654	2
	Y016960	1752454 (50)	1	9B	Y020018	1787754	2
8A	Y020174	1792054	2	Note: 8A / 9A for FWD 8B/ 9B for RWD * = Not depicted ** = For FWD only 23G : Dynamic Configuration 23H : P&G Configuration			
9A	Y017432	1761854	2				
10	Y017814	1756754	1				
11	M6 DIN125A	1000973	1				
12	M6 DIN125A	1001564	1				
13	M8 DIN125B	1001556	4				
14	---	1001612	2				
15	M8x12 DIN916	1004885	6				
16	M6x16 ISO7380	1008459	1				
17	M6	1008492	1				
18	M8x40 ISO7380	1008739	6				
19	---	1902851	2				
20	---	1906790	1				
21	---	1906791	1				
22	---	1906792	1				
23	SE42 / 45°	1914670	1				
23A	---	1908591	1				
23D	M5x6 DIN912	1997822	4				
23F	M3 DIN1587	2990306	4				

1909830

E000889 / C

NAVIX SEAT FRAME - SE42 LIFT SYSTEM Sheet 3/3 - BOM				Plan No. E000889 / C
Scale: 1:6	Drafted	Verified	Confirmed	
Date	15/10/2013	09/11/2018	09/11/2018	
Initials	JG	SD	PJ	