
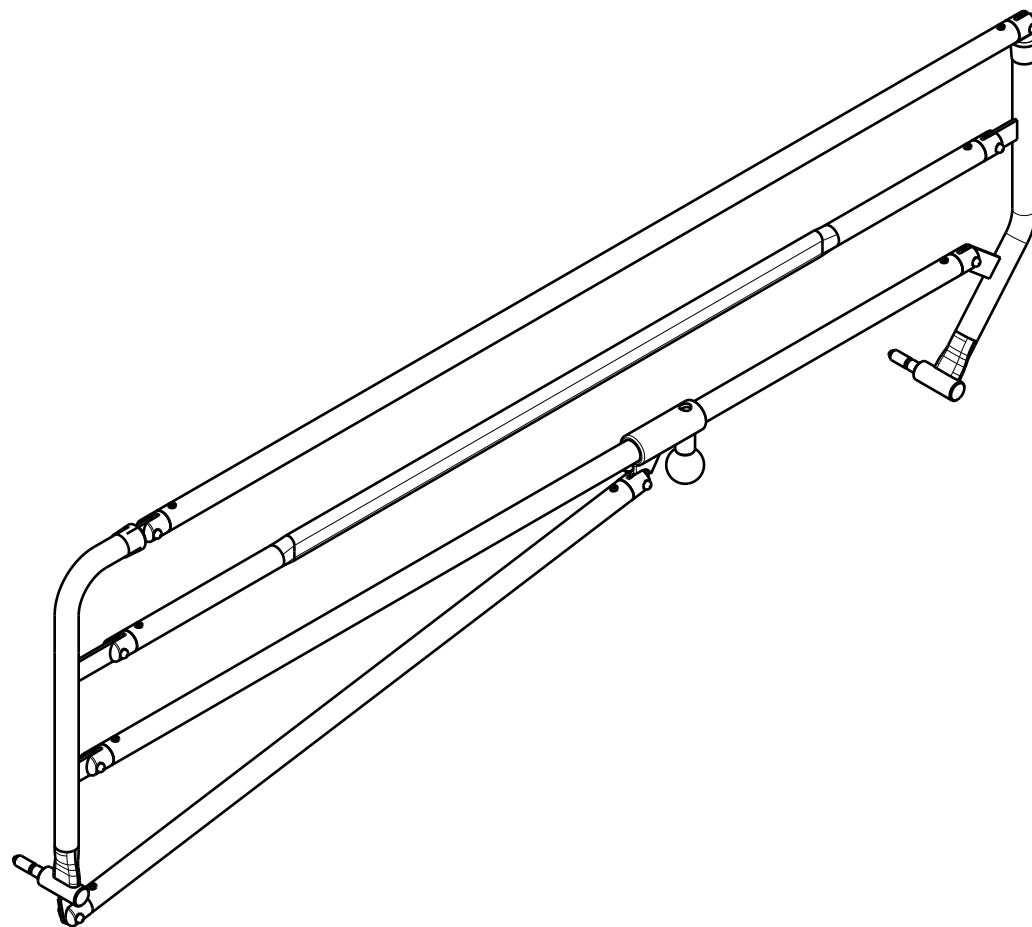



EP00256 / G

LEFT SIDE RAILS / ILLICO				Plan No.
				1/2 EP00256 / G
Scale: 1:6	Drafted	Verified	Confirmed	
Date	27/10/2017	20/05/2024	20/05/2024	
Initials	AZ	GB	AZ	



EP00256 / G

Material			
No.	Plan	Article	Quantity
1	YP06054	2792082	1
2	YP06073	2792882	1
3	Y004091	1507882	1
4	Y004496	F002667	2
5	Y018142	1767382	1
6	YP06077	2795282	1
7	Y018201	1765782	1
8	X002074	1992183	2
9	X002170	1992792	1
10	X002278	1992934	1
11	X002279	1498400	1
12	X002397	1993353	1
13	X003698	1004550	1
14	X004984	1907802	6
15	Nut M6	1008492	8
16	M6x20 DIN912	1001493	8
17	D4x16	1003021	8
18	D4.8x19 DIN7983	1001534	1

LEFT SIDE RAILS / ILLICO				Plan No.
				EP00256 / G
Scale: 1:6	Drafted	Verified	Confirmed	
Date	27/10/2017	20/05/2024	20/05/2024	
Initials	AZ	GB	AZ	