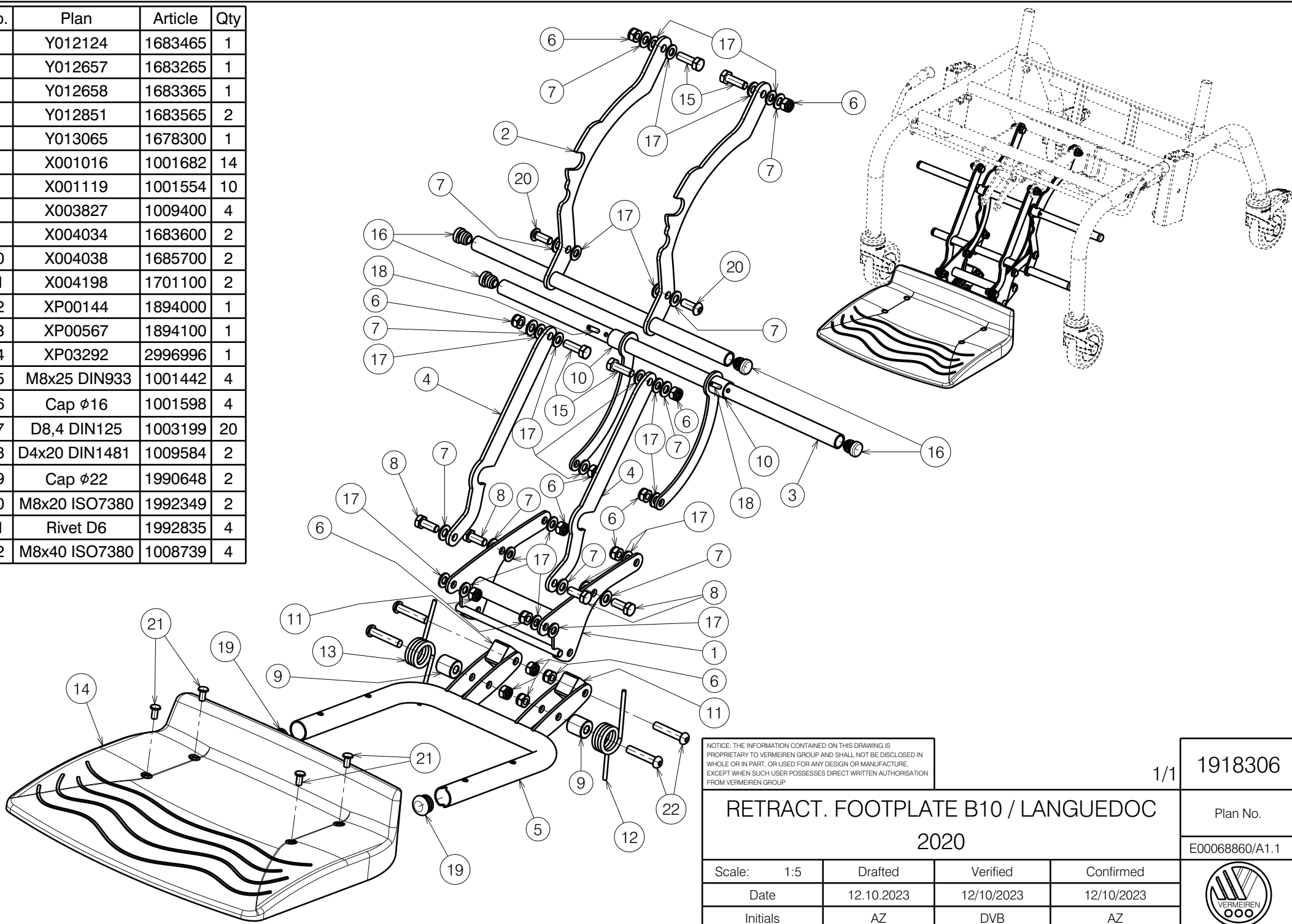


No.	Plan	Article	Qty
1	Y012124	1683465	1
2	Y012657	1683265	1
3	Y012658	1683365	1
4	Y012851	1683565	2
5	Y013065	1678300	1
6	X001016	1001682	14
7	X001119	1001554	10
8	X003827	1009400	4
9	X004034	1683600	2
10	X004038	1685700	2
11	X004198	1701100	2
12	XP00144	1894000	1
13	XP00567	1894100	1
14	XP03292	2996996	1
15	M8x25 DIN933	1001442	4
16	Cap ø16	1001598	4
17	D8,4 DIN125	1003199	20
18	D4x20 DIN1481	1009584	2
19	Cap ø22	1990648	2
20	M8x20 ISO7380	1992349	2
21	Rivet D6	1992835	4
22	M8x40 ISO7380	1008739	4



NOTICE: THE INFORMATION CONTAINED ON THIS DRAWING IS PROPRIETARY TO VERMEIREN GROUP AND SHALL NOT BE DISCLOSED IN WHOLE OR IN PART, OR USED FOR ANY DESIGN OR MANUFACTURE, EXCEPT WHEN SUCH USER POSSESSES DIRECT WRITTEN AUTHORISATION FROM VERMEIREN GROUP

1/1 1918306

RETRACT. FOOTPLATE B10 / LANGUEDOC				Plan No. E00068860/A1.1
2020				
Scale:	1:5	Drafted	Verified	Confirmed
Date	12.10.2023	12/10/2023	12/10/2023	12/10/2023
Initials	AZ	DVB	AZ	

