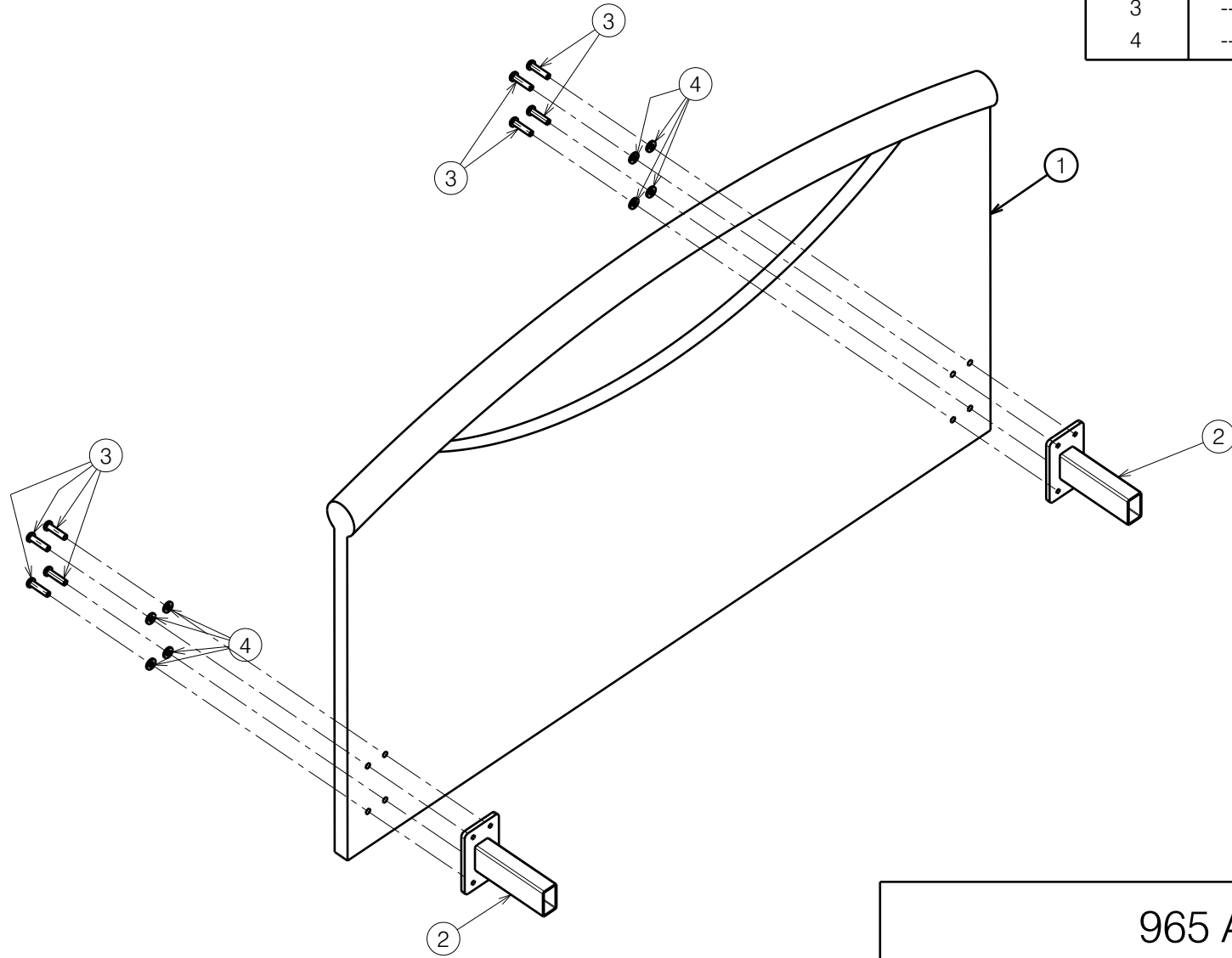


Material			
No.	Plan	Article	Quantity
1	X003728	1998992	1
	---	2000011	1
2	Y007692	16445..	2
3	---	1992968	8
4	---	1001564	8



1909549

965 AL				Plan No. / Plannr.
				E000321/C
Scale / Schaal: 3:20	Drafted / Getekend	Verified / Nagezien	Confirmed / Bevestigd	
Date / Datum	21/12/2006	16/12/2022	16/12/2022	
Init. / Init.	PS	SD	PJ	