

Mounting Torque Prescriptions:
 1. Standard Bridge (A) / Low Bridge (B):
 Tighten nuts (29) with torque wrench 5 Nm (W600135)
 2. Stand Up Device Bridge (C):
 Tighten nuts (29) with torque wrench 10 Nm (W600135)

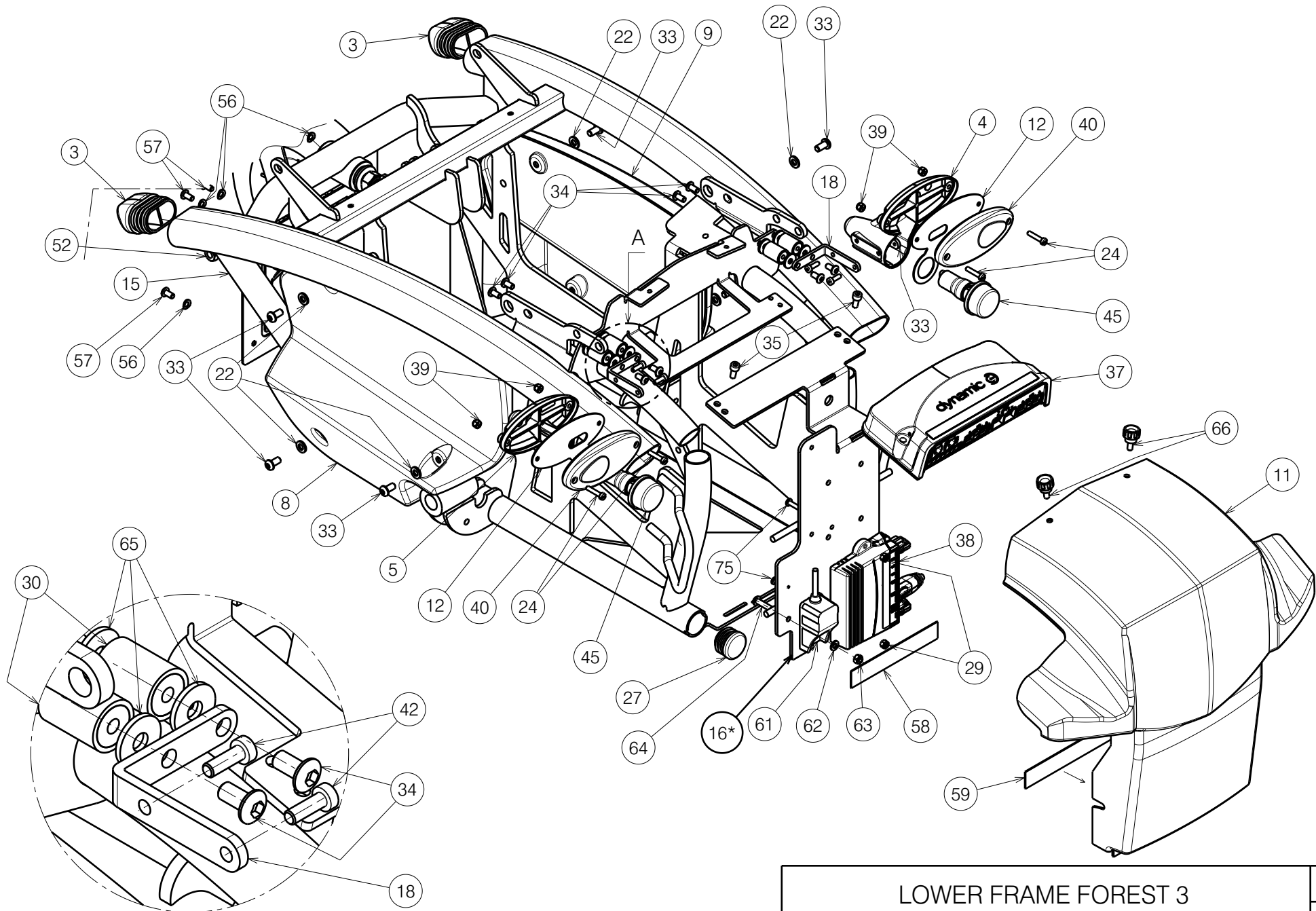
1910293

E001087 / F

REPLACES E000949

LOWER FRAME FOREST 3				Plan No. E001087 / F
Sheet 1/4 Balance Arms				
Scale:	1:5	Drafted	Verified	Confirmed
Date	07/11/2017	09/05/2022	09/05/2022	
Initials	SD	PM	AZ	






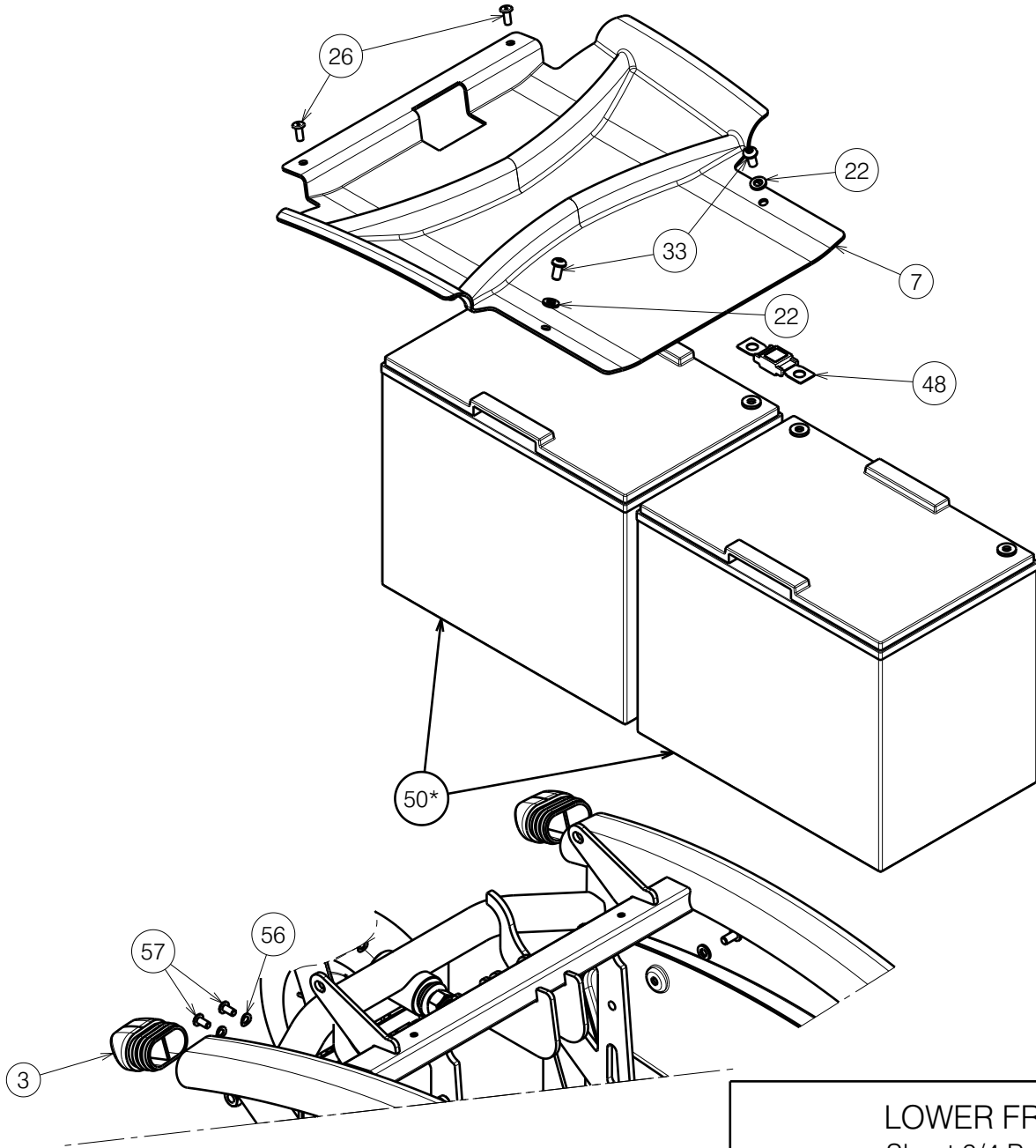
Detail A
Scale: 3:4

E001087 / F

REPLACES E000949

LOWER FRAME FOREST 3 Sheet 2/4 Rear Frame				Plan No. E001087 / F
Scale: 1:5	Drafted	Verified	Confirmed	
Date	07/11/2017	09/05/2022	09/05/2022	
Initials	SD	PM	AZ	

1910293



1910293

E001087 / F

REPLACES E000949

LOWER FRAME FOREST 3 Sheet 3/4 Batteries - Top Cover				Plan No.
				E001087 / F
Scale:	1:5	Drafted	Verified	Confirmed
Date	07/11/2017	09/05/2022	09/05/2022	
Initials	SD	PM	AZ	



Material

No.	Plan	Article	Quantity	No.	Plan	Article	Quantity	No.	Plan	Article	Quantity							
1	X001119	1001554 (A/B)	8/4	37	---	1912294 (60A)	1	63	M5 DIN985	1001679 (opt.)	1							
2	X000188	G078500 (C)	2		---	1912302 (75A)	1	64	M5x20	1998368 (opt.)	1							
3	X004778	1908255	2		---	1912415 (120A)	1	65	M5 DIN9021	1005138	8							
4	X004939	1907375	1	38	2 ACT	1912304 (optional)	1	66	M5x10	1911896	2							
5	X004940	1907374	1		4 ACT	1912307 (optional)	1	67	M12x80 ISO7379	1907488	1							
6	X005449	1911074	2	39	M4 DIN985	1907202	4	68	M12 Type M	1911902	1							
7	X005104	1909382	1	40	---	1907338	2	69	M8x12 DIN912	1008963	1							
8	X005108	1909383	1	41	M8x100 DIN912	1998468 (B)	2	70	M6x50 DIN912	1007970 (A/B)	2							
9	X005109	1909384	1	42	M4X12 DIN7984	1907582	4	71	M6 DIN125A	1001564 (A/B)	2							
10	X005141	1910010	1	43A	R260 R-Fill L	2991613 (A)	1	72	M6	1008492 (A/B)	2							
11	X005271	1909996	1		R260 Grey L	1908331 (A)	1	73	X005589	1912549 (A/B)	2							
12	Y017936	1759054	2		R260 Black L	1910751 (A)	1	74	M12x90 DIN931	1995042 (C)	2							
13	Y018567	17734.. (A)	2	43B	R260 R-Fill R	2991614 (A)	1	75	M4x16	2990185	2							
14	Y019336	17904.. (A)	1		R260 Grey R	1908332 (A)	1	* - use together 16* a) with 50* a) or 16*b) with 50*b)										
15	Y019337 DP	17898..	1		R260 Black R	1910752 (A)	1											
16* a)	Y020892	2004454	1	44	R230 Grey	1908781 (B)	2											
b)	Y019422	1792754	1	45	---	1991679	2											
17	Y019695	1786500	2	46	X005590	1912550 (C)	4											
18	Y019831	2001754	2	47	---	2990526 (C)	2											
19	Y020042	17942.. (C)	1	48	150 A	1910488	1											
20	Y020184	17924.. (B)	1	49	M8x120 DIN912	1994676 (A)	2											
21	Y020260	17972.. (B)	2	50* a)	80 A	1909646	2											
22	M6 DIN125	1000973	6	b)	---	1917931	2											
23	---	1001409 (A/B)	2	51	M8X76 DIN912	1998993 (C)	2	(A) Standard bridge (B) Low bridge (C) Stand up device bridge										
24	M4X20 DIN84	1001466	4	52	M8	1998994 (C)	2											
25	M12 DIN125A	1001561	2	53	M8x14	1902024 (A/B)	2											
26	Ø4.8x12	1001585	2	54	X005411	2007600 (B)	2											
27	---	1001606	2	55	Y021022	2007554	1											
28	Ø38	1001611	2	56	M5 DIN137A	1992854	4											
29	M4 DIN985	1001678 (optional)	2	57	M5x10 Black	2991862	4											
30	---	1910745	4	58	---	1990663	119 mm											
31	M12 DIN985	1001684	3	59	---	1990369	119 mm											
32	M6x25 DIN912	1001494 (C)	2	61	---	1912309 (opt.)	1											
33	M6x12 ISO7380	1007000	6	62	M5 DIN125	1001550 (opt.)	1											
34	M5x10 ISO7380	1007063	14				<p style="text-align: center;">LOWER FRAME FOREST 3 Sheet 4/4 Bill of Material</p>				Plan No.							
35	M5x12 DIN912	1001489	2								<p style="text-align: center;">E001087 / F</p>							
36A	R-Fill Line Left	1910146 (C)	1												Scale: 1:5	Drafted	Verified	Confirmed
36B	R-Fill Line Right	1910147 (C)	1												Date	07/11/2017	09/05/2022	09/05/2022
				Initials	SD	PM	AZ											

1910293

E001087 / F

REPLACES E000949

