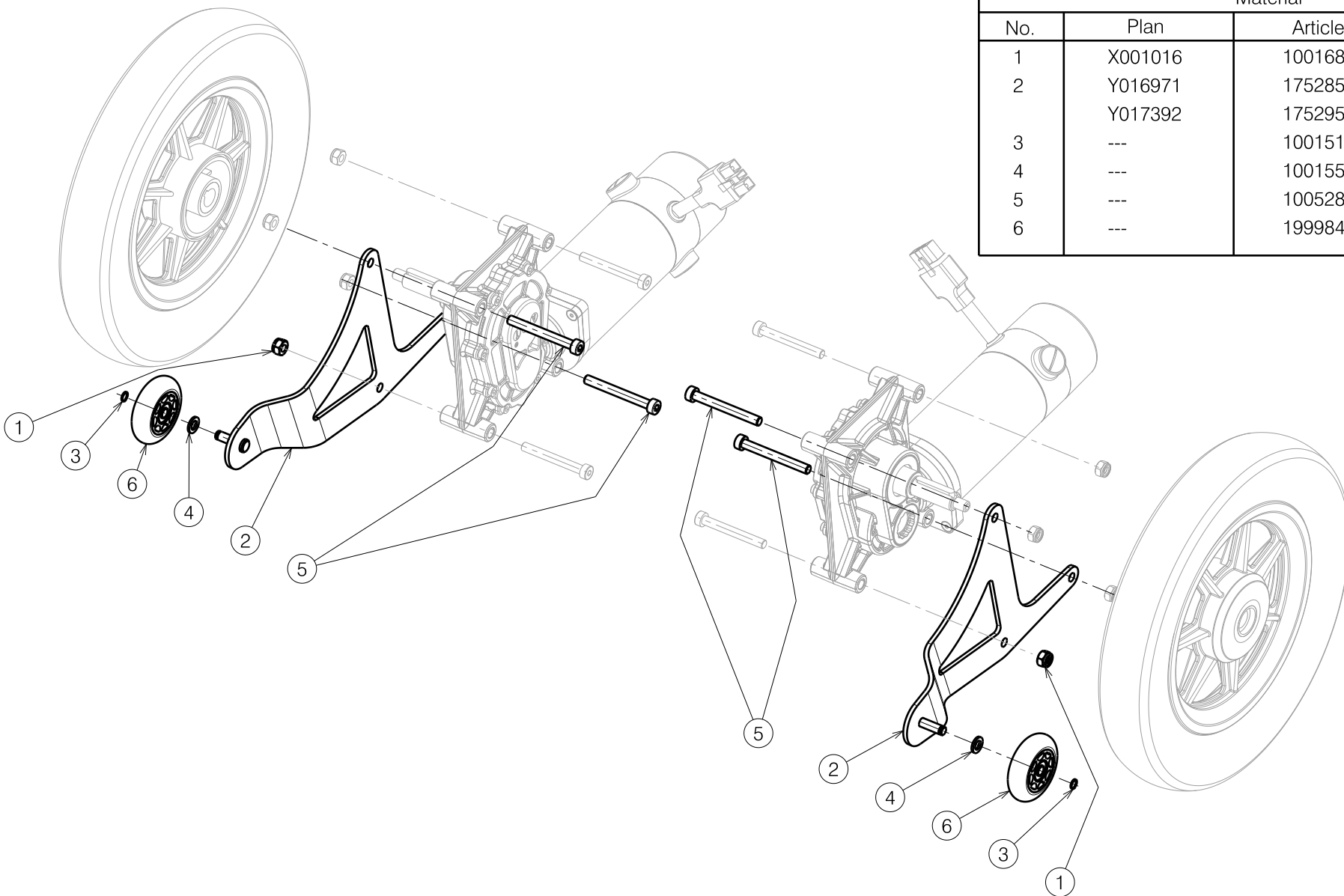


Material			
No.	Plan	Article	Quantity
1	X001016	1001682	2
2	Y016971	1752854 (R)	1
	Y017392	1752954 (L)	1
3	---	1001511	2
4	---	1001556	2
5	---	1005289	4
6	---	1999844	2



E000707 / A

B78 ANTI-TIPPING NAVIX				Plan No.
				E000707 / A
Scale: 1:5	Drafted	Verified	Confirmed	
Date	26/07/2011	26/07/2011	26/07/2011	
Initials	DD	SD	PJ	