


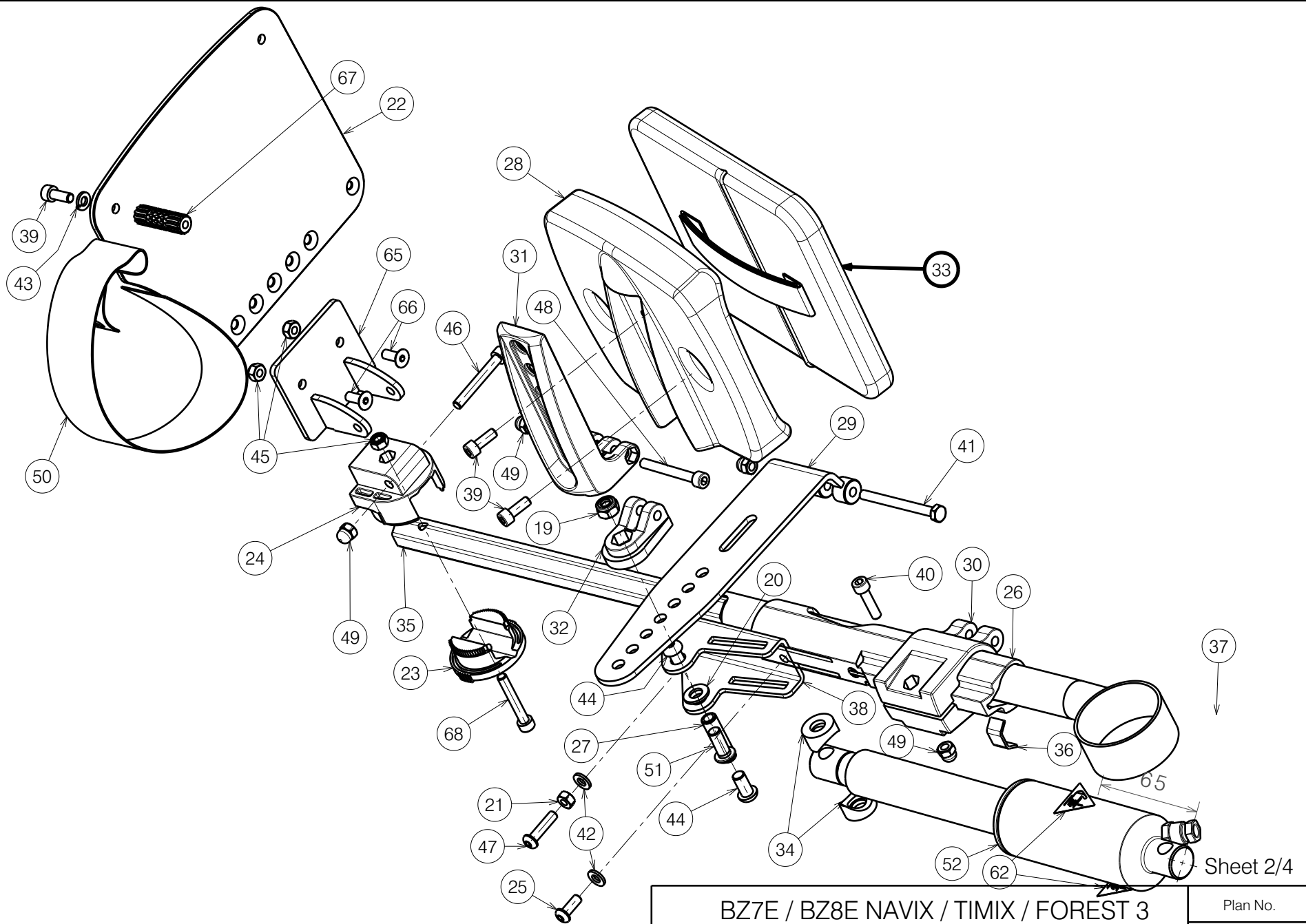
Mounting instructions for ⑥ + ⑱ + ⑥①: P000041

④ + ⑱ + ⑱ = Glue with Weicon AN 302-43 (H900009) Sheet 1/4

BZ7E / BZ8E NAVIX / TIMIX / FOREST 3				Plan No.
Housing				E000710 / M
Scale: 3:5	Drafted	Verified	Confirmed	
Date	07/02/2012	20/12/2023	20/12/2023	
Initials	JG	PM	MK	

E000710 / M


* Only right side depicted

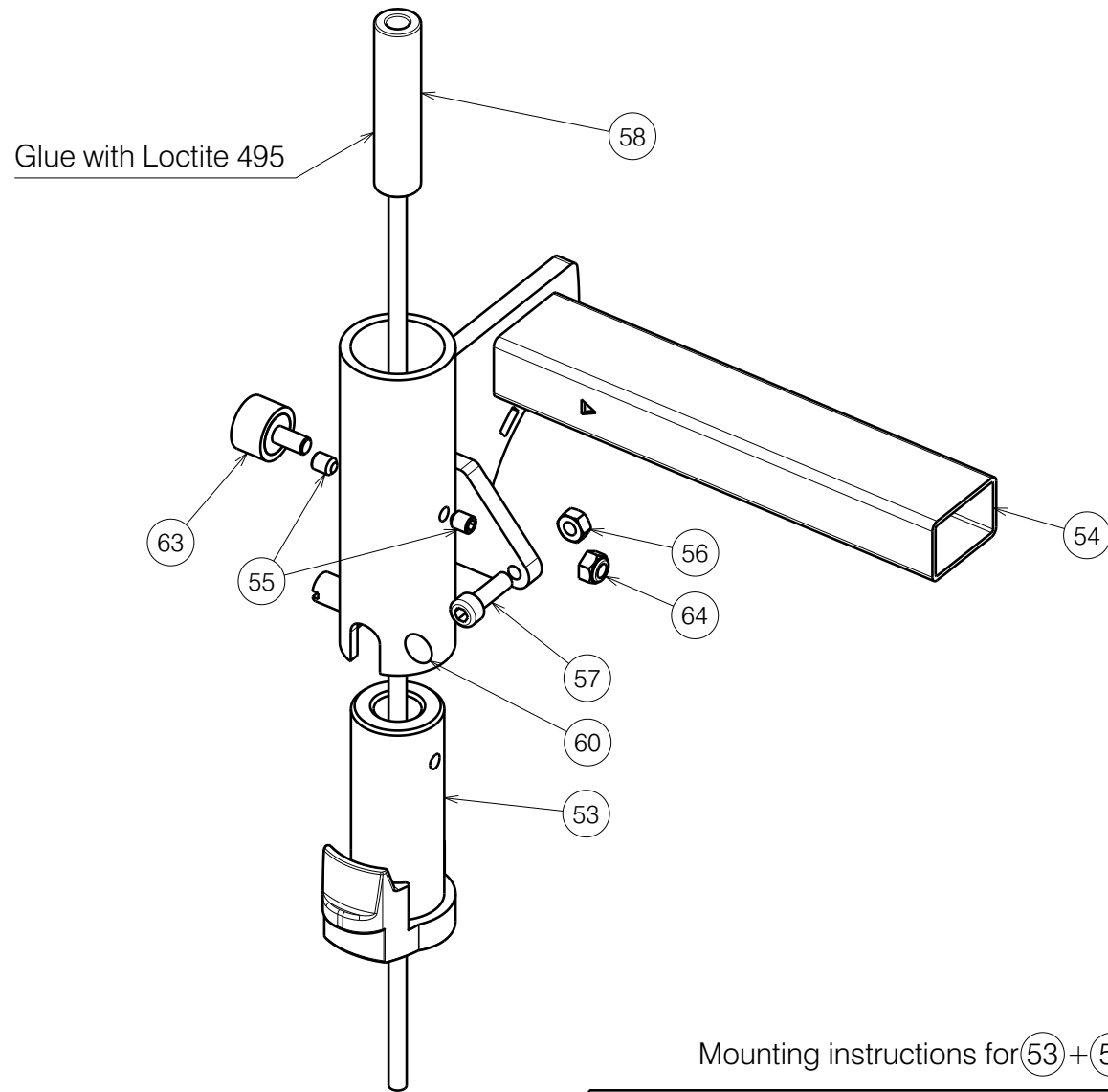


Sheet 2/4

E000710 / M

* Only right side depicted

BZ7E / BZ8E NAVIX / TIMIX / FOREST 3				Plan No.
Butt				E000710 / M
Scale: 1:3	Drafted	Verified	Confirmed	
Date	07/02/2012	20/12/2023	20/12/2023	
Initials	JG	PM	MK	



Mounting instructions for (53)+(58): P000041

Sheet 3/4

BZ7E / BZ8E NAVIX / TIMIX / FOREST 3
Frame Attachment For Navix

Plan No.

E000710 / M

Scale: 1:3

Drafted

Verified

Confirmed

Date

07/02/2012

20/12/2023

20/12/2023

Initials

JG

PM

MK



E000710 / M

* Only right side depicted

Housing				Butt				Attachment (Navix)			
No.	Plan	Article	Quantity	No.	Plan	Article	Quantity	No.	Plan	Article	Quantity
1	X004955	1770500	1	29	Y020995	2009154	1	53	X004885	1907228	1
2	X004779	1907489	1	30	X004739	1905739	1	54	Y017427	1763654 (R)	1
3	X004873	1907241	1	31	X004784	1905950	1		Y017304	1763554 (L)	1
4	X004874	1759600	1	32	X004787	1905947	1	55	M5X6 DIN916	2990299	2
5	X004875	1907490	1	33	X004912	1907232 (gray)	1	56	M5 DIN934	1001669	1
6	X005415	1911039	1		P00073244	2998183 (black)	1	57	M5x16 DIN912	1007198	1
7	X004882	1756854	1	34	Y012948	F005295	2	58	Female Jack	1910991	1
8	X004895	1756954	1	35	Y016499	F006269 (BZ8)	1	60	---	1903890	1
9	X004901	17573	1		Y017321	F006420 (BZ7)	1	63	---	1909204	1
10	X004906	1757400	4	36	Y016501	1733554	1	64	M5 DIN985	1001679	1
11	X004921	1763700	1	37	Y017385	1763354	1				
12	Y012948	F005295	2	38	Y017396	1763254	1				
13	Y017652	1763400	1	39	M6x16 DIN912	1001492	3				
14	∅3x16 DIN1481	1003791	1	40	M6x25 DIN912	1001494	1				
15	∅3x10	1008674	1	41	M6x65 DIN931	1991860	1				
16	M6x20 DIN7991	1903081	2	42	M6 DIN125	1001564	2				
17	M5X16 DIN7991	1907493	8	43	M6 DIN127B	1004414	1				
18	Male Jack	1910990	1	44	M8x16 ISO7380	1991858	1				
61	M6x12 DIN916	1005949	1	45	M6 DIN985	1001680	3				
Butt				46	M6x45 DIN912	1003109	1				
19	X001016	1001682	1	47	M6x25 ISO7380	1006998	1				
20	X001119	1001554	1	48	M6x50 DIN912	1007970	1				
21	M6 DIN934	1001670	1	49	M6x12	1008492	4				
22	Y020998	2009254 (L)	1	50	---	1992802	1				
	Y020999	2009354 (R)	1	51	M8x20	1992349	1				
23	X004464	1904212	1	52	---	1992109	1				
24	X004465	1904213	1	62	---	T001090	2				
25	M6x16 ISO7380	1008459	1	65	Y021650	2015254	1				
26	X004466	1905731	1	66	M6x16 DIN7991	1994752	2				
27	X004804	1754800	1	67	X005277	17938	1				
28	X004733	1905733	1	68	M6x40 DIN912	1003909	1				

E000710 / M

BZ7E / BZ8E NAVIX / TIMIX / FOREST 3				Plan No.
Bill of Material				E000710 / M
Scale: 1:2	Drafted	Verified	Confirmed	
Date	07/02/2012	20/12/2023	20/12/2023	
Initials	JG	PM	MK	