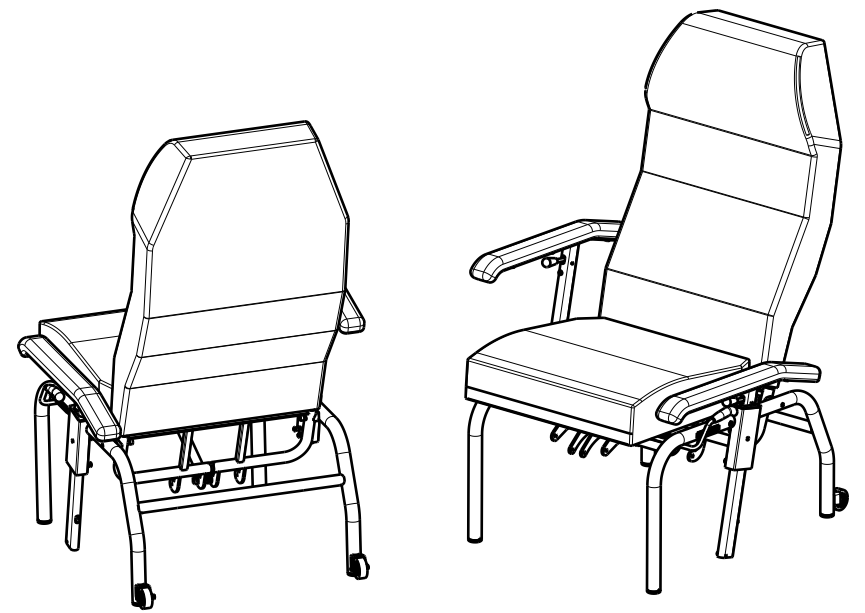


Serial number sticker (seat tube).

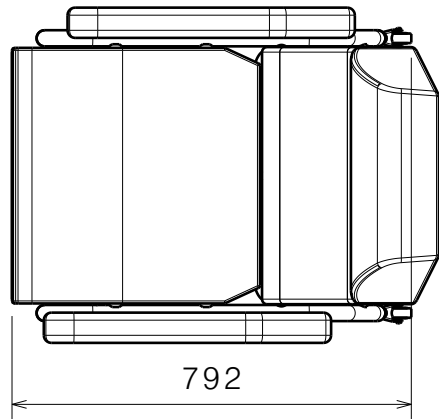
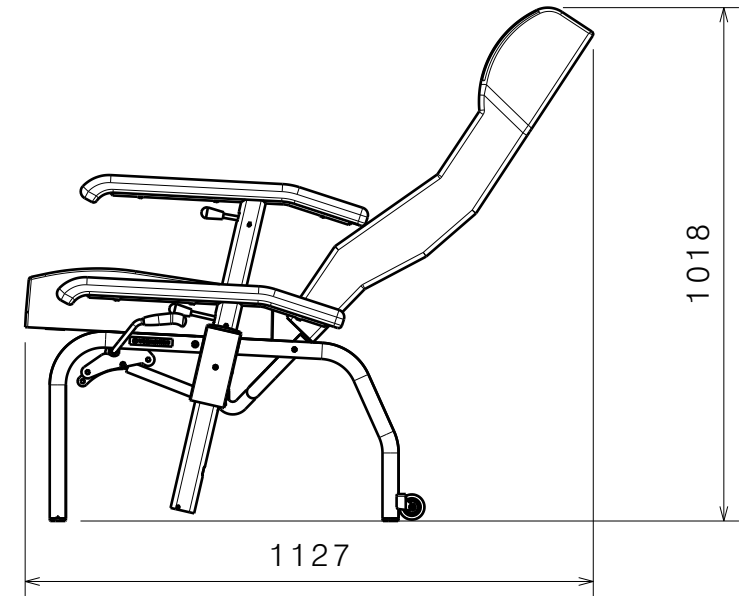
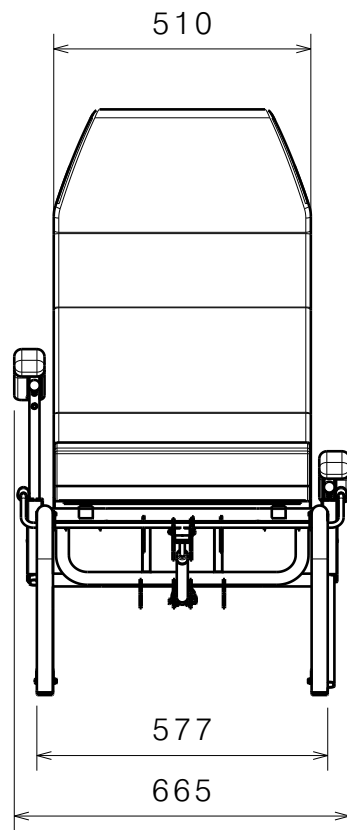
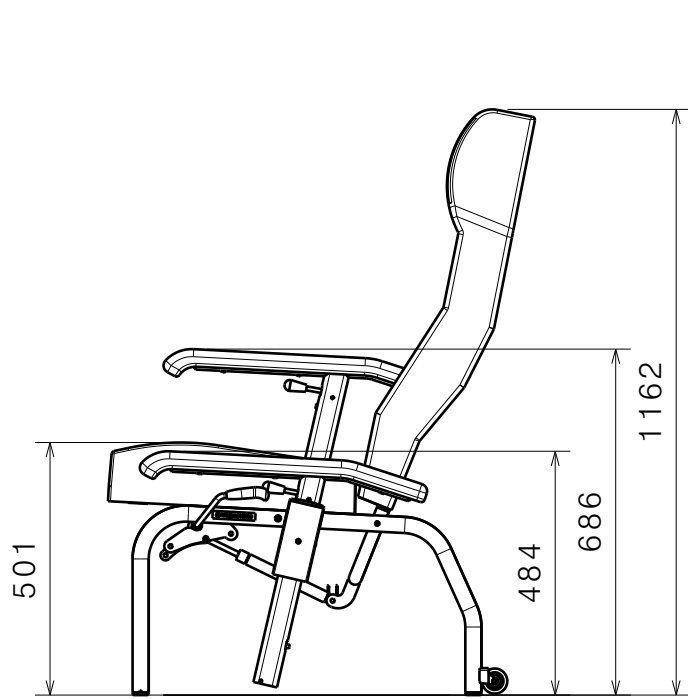
Material			
No.	Plan	Article	Quantity
1	EP00531	2994887	1
2	EP00549	2994988	1
3	EP00534	2994890	1
4	EP00560	2994986	1
5*	XP03295	U000434	1
6**	Cap D22	1001625	2




EP00561 / H

* - not depicted;
 ** - use only in transport to protect upholstery - see packing instruction;
 *** - SOP: S-BE.90.04 - packing instruction.

SPECIFICATION / LANGUEDOC 2020				Plan No.
				1/2 EP00561 / H
Scale: 1:10	Drafted	Verified	Confirmed	
Date	01/02/2021	07/08/2023	07/08/2023	
Initials	AZ	AZ	TK	



EP00561 / H

SPECIFICATION / LANGUEDOC 2020				Plan No.
				EP00561 / H
Scale: 1:15	Drafted	Verified	Confirmed	
Date	01/02/2021	07/08/2023	07/08/2023	
Initials	AZ	AZ	TK	