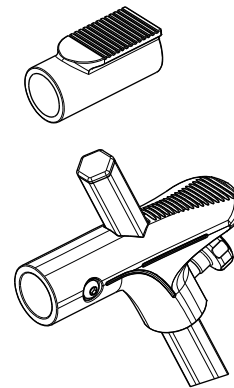
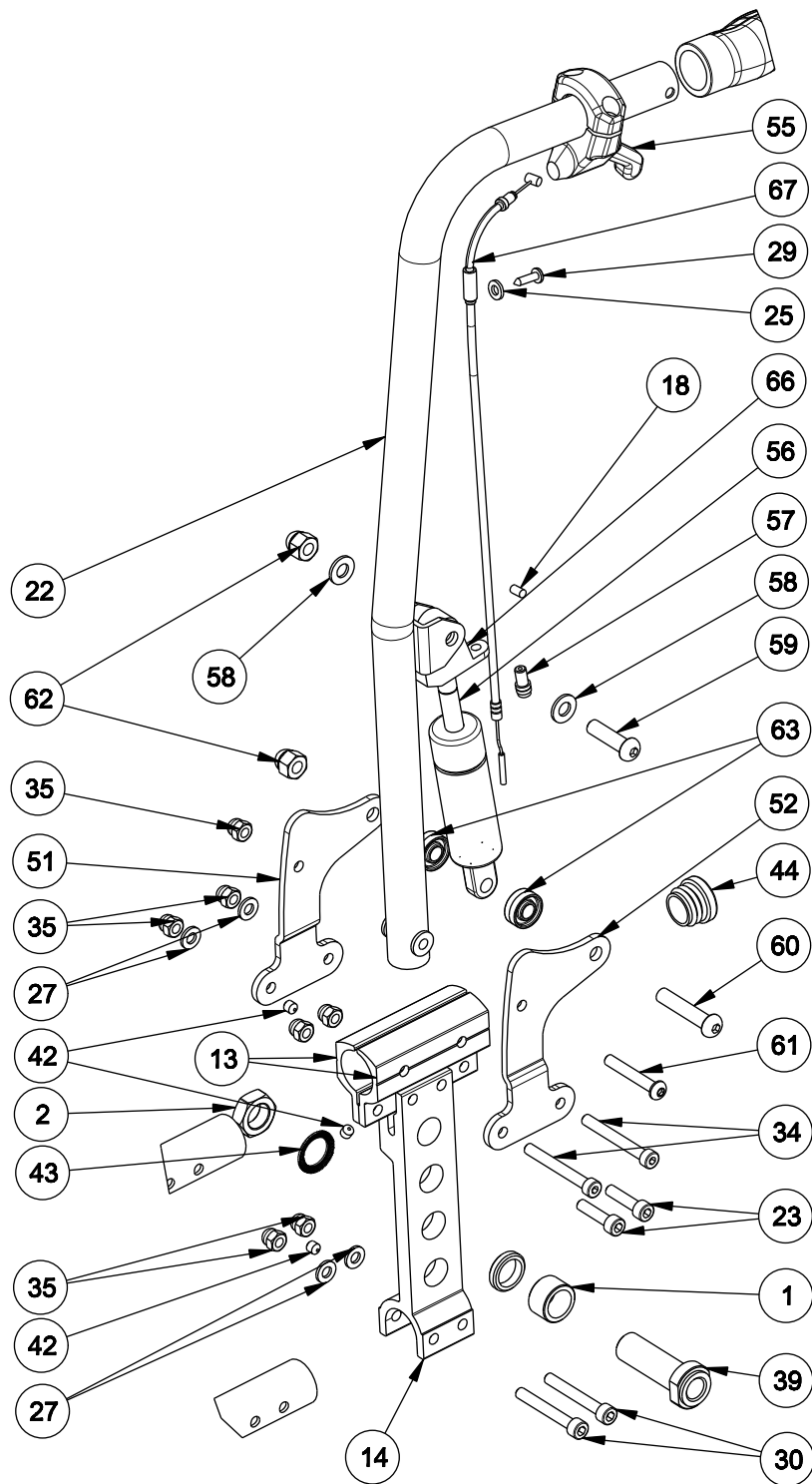


EC00410/E

<b>V500/30° SIDE FRAME</b>				Plan No.
				EC00410/E
Scale:1:8	Drafted	Verified	Confirmed	1/3
Date	10/04/2017	14/06/2023	14/06/2023	
Init.	SL	FZY	JJQ	




EC00410/E



<b>V500/30° SIDE FRAME</b>				Plan No.
2/3				EC00410/E
Scale:1:8	Drafted	Verified	Confirmed	
Date	10/04/2017	14/06/2023	14/06/2023	
Init.	SL	FZY	JJQ	

Material				Material				Material			
No.	Plan	Article	Number	No.	Plan	Article	Number	No.	Plan	Article	Number
1	X000185	G000790	2	29	∅ 4X16	1003021	2	59	M8X30 ISO7380	1992717	2
2	X002437	1992699	2	30	M6X45 DIN912	1003109	4	60	M8X45 ISO7380	1994473	2
				31	M6 DIN7379	1003321	2	61	M6X45 ISO 7380	1991017	2
4	X004308	1904129	4	32	M6X60 DIN912	1005957	4	62	M8 DIN1587	1001688	4
5	X004309	1904133	4	33	M6X40 DIN784	1006850	4	63	X002480	1993793	4
6	X004415	17193	2	34	M6X50 DIN912	1007970	6	64	---	F002907	2
7	X004429	1904030	2	35	M6	1008492	28	65	Y004761	1521754(39)	1
8	X004436	1903928	2	36	150X30	1904862	2		Y004762	1521854(42)	1
9	X004444	1722354	2	37	M6X35 DIN7984	1903903	2		Y004763	1521954(44)	1
10	X004445	1904571	2	38	---	3990106	2		Y004764	1522054(46)	1
11	X004466	1730700	2	39	---	1905244	2		Y004765	1522154(48)	1
12	X004469	1905045	1	40	24X1 3/8	1905638	2		Y004766	1522254(50)	1
13	X004697	1745132	4	41	M6X55 DIN912	1908726	4		Y017325	1746654(53)	1
14	X004471	1713332	2	42	M6X6 DIN914	1909924	6		Y017326	1746754(56)	1
15	X004584	1905028(L)	1	43	M16 DIN17222	1911653	2		Y017236	1745754(60)	1
	X004585	1905029(R)	1	44	---	1991857	2	66	---	3992513	2
16	X004597	1905121	2	45	---	1992559	4	67	---	3992512	2
17	X004689	1734600	6	46	---	FC01251	2	68	X001380	1009726	2
18	---	1996853	2	47	M12X1.25	1994605	2				
19	X004818	1906184	2	48	M8X76 DIN912	1998993	2				
20	X005565	1912287	2	49	M8	1998994	2				
21	Y021943	20213(L)	1	50	B78	1906314	1				
	Y021944	20214(R)	1	51	YC02027	1C73854	2				
22	YC02023	1C73754	2	52	YC02028	1C73954	2				
23	M6X25 DIN912	1001494	4	53	M5X20 DIN912	1003907	8				
24	M8X20	1001580	2	54	M5 DIN985	1001679	8				
25	M5 DIN125	1001550	2	55	---	1996806	2				
26	M12 DIN125	1001561	2	56	---	3992509	2				
27	M6 DIN125	1001564	18	57	---	1003282	2				
28	M12 DIN 985	1001684	2	58	---	1003199	4				

<b>V500/30° SIDE FRAME</b>				3/3	Plan No. EC00410/E
Scale:1:8	Drafted	Verified	Confirmed		
Date	10/04/2017	14/06/2023	14/06/2023		
Init.	SL	FZY	JJQ		