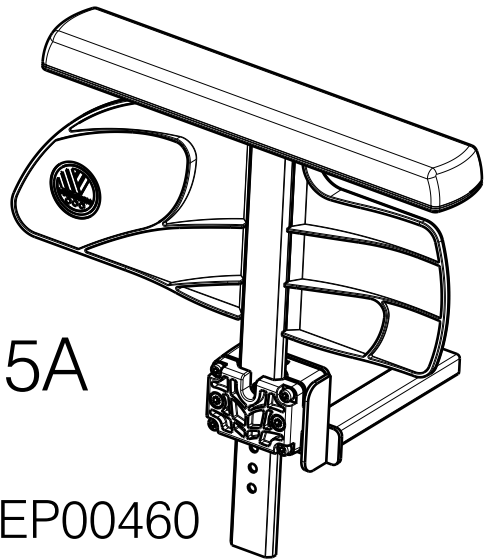


NOTICE: THE INFORMATION CONTAINED ON THIS DRAWING IS PROPRIETARY TO VERMEIREN GROUP AND SHALL NOT BE DISCLOSED IN WHOLE OR IN PART, OR USED FOR ANY DESIGN OR MANUFACTURE, EXCEPT WHEN SUCH USER POSSESSES DIRECT WRITTEN AUTHORISATION FROM VERMEIREN GROUP.

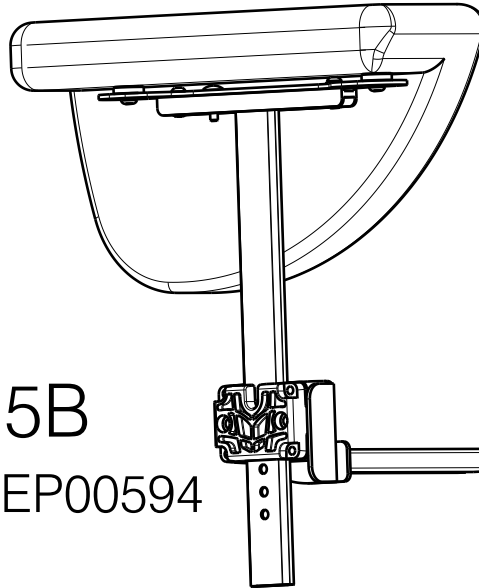
SPECIFICATION INOVYS2 35				Page 1/6
Scale:	1:7	Drafted	Verified	Confirmed
Date	2021-07-12	2023-08-30	2023-08-30	
Initials	AS	OY	AS	

Plan No.
EP00588/D



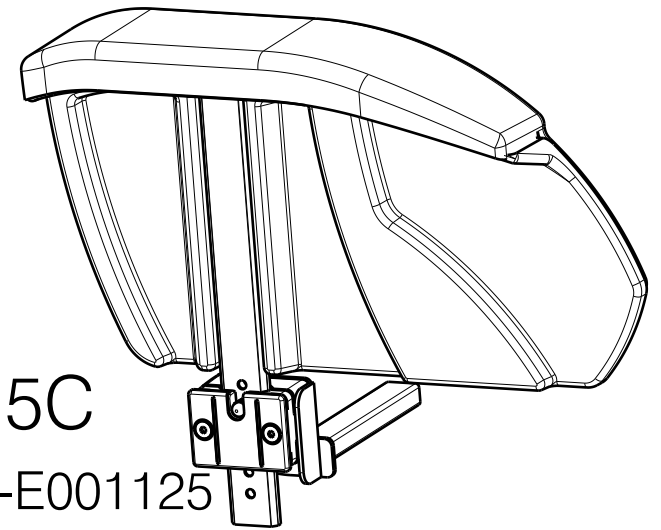
5A

BI5 -EP00460



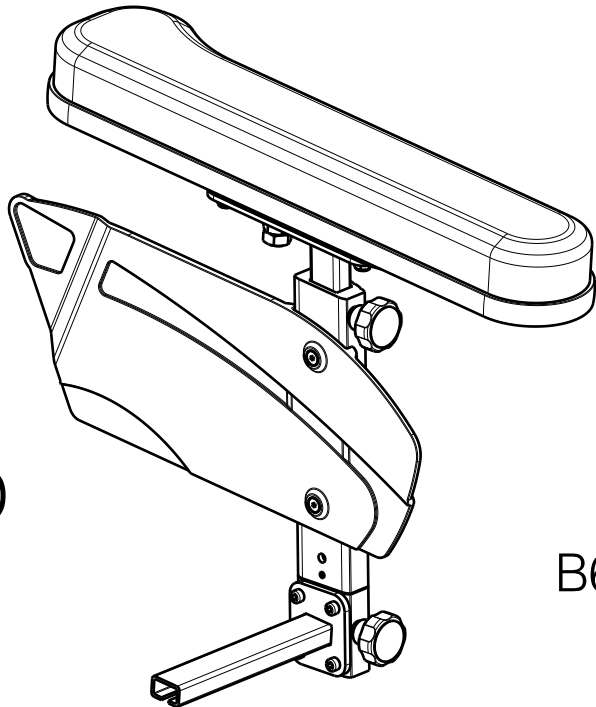
5B

SER -EP00594

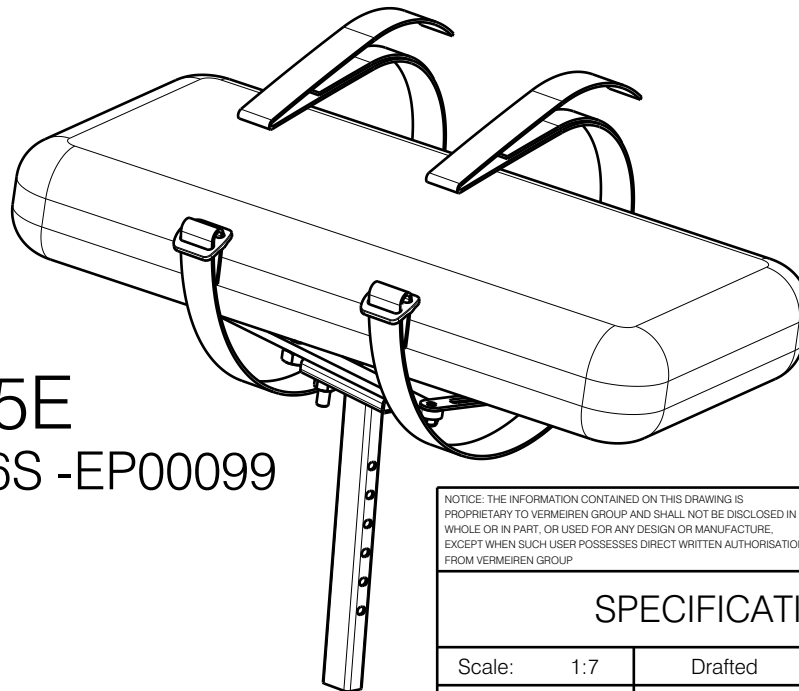


5C

Lotus-E001125



5D



5E

B66S -EP00099

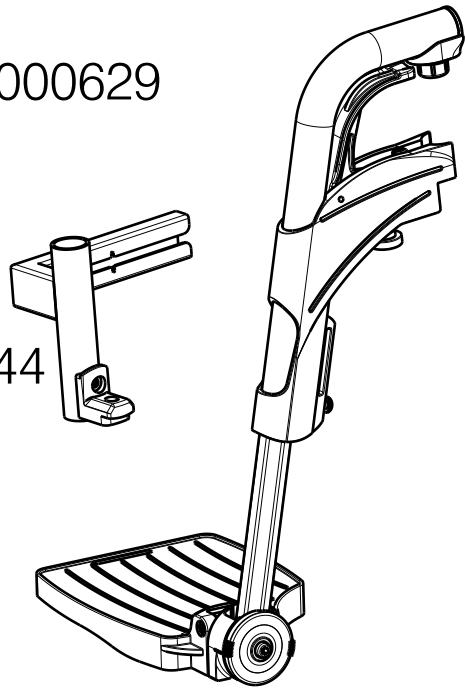
NOTICE: THE INFORMATION CONTAINED ON THIS DRAWING IS PROPRIETARY TO VERMEIREN GROUP AND SHALL NOT BE DISCLOSED IN WHOLE OR IN PART, OR USED FOR ANY DESIGN OR MANUFACTURE, EXCEPT WHEN SUCH USER POSSESSES DIRECT WRITTEN AUTHORISATION FROM VERMEIREN GROUP.

SPECIFICATION INOVYS2 35				Page 2/6
Scale:	1:7	Drafted	Verified	Confirmed
Date	2021-07-12	2023-08-30	2023-08-30	
Initials	AS	OY	AS	

Plan No. EP00588/D

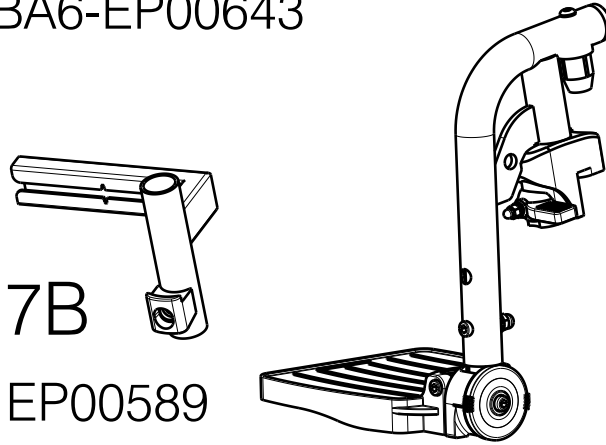
6A

B06-E000629



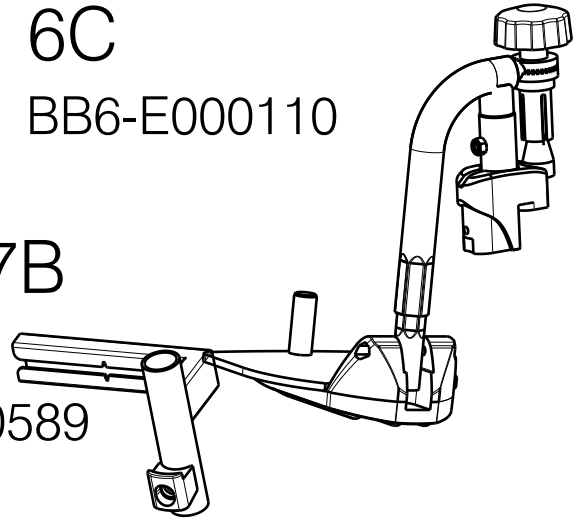
6B

BA6-EP00643



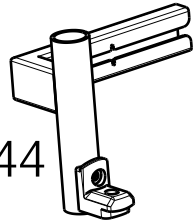
6C

BB6-E000110



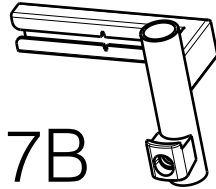
7A

E001044



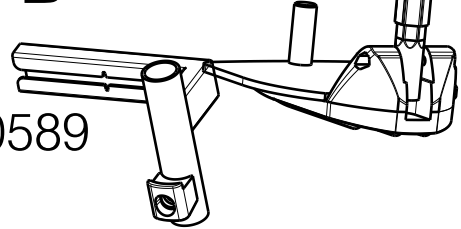
7B

EP00589



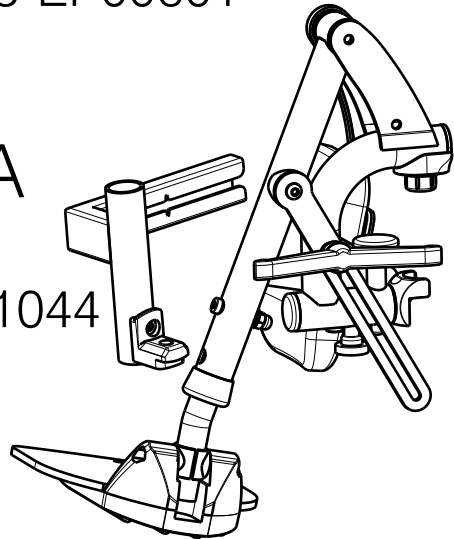
7B

EP00589



6D

BZ8-EP00601



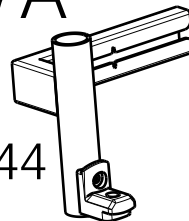
6E

BZ8 -EP00602

Proposed

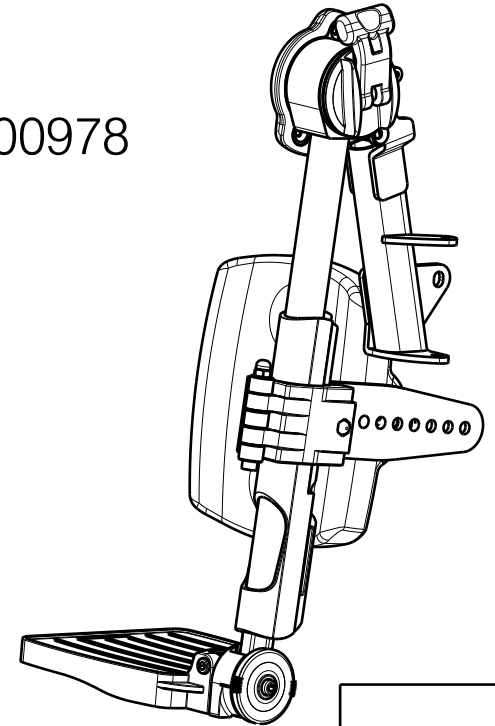
7A

E001044



6F

BZ7-E000978



NOTICE: THE INFORMATION CONTAINED ON THIS DRAWING IS PROPRIETARY TO VERMEIREN GROUP AND SHALL NOT BE DISCLOSED IN WHOLE OR IN PART, OR USED FOR ANY DESIGN OR MANUFACTURE, EXCEPT WHEN SUCH USER POSSESSES DIRECT WRITTEN AUTHORISATION FROM VERMEIREN GROUP.

SPECIFICATION INOVYS2 35

Page 3/6

Plan No.

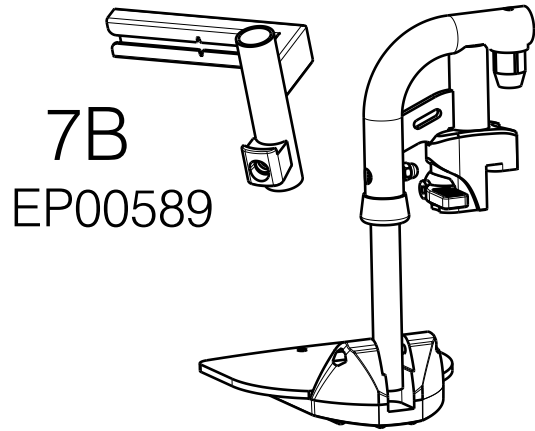
EP00588/D

Scale:	1:7	Drafted	Verified	Confirmed
Date	2021-07-12	2023-08-30	2023-08-30	
Initials	AS	OY	AS	



6G

BN6-EP00593



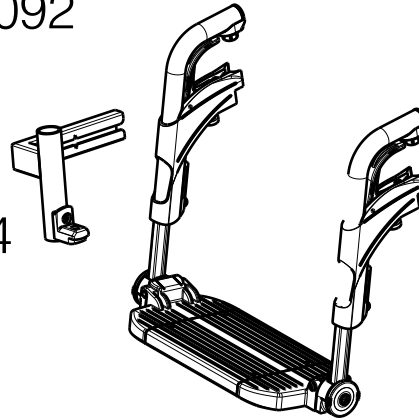
BK6

EP00092

6H

7A

E001044

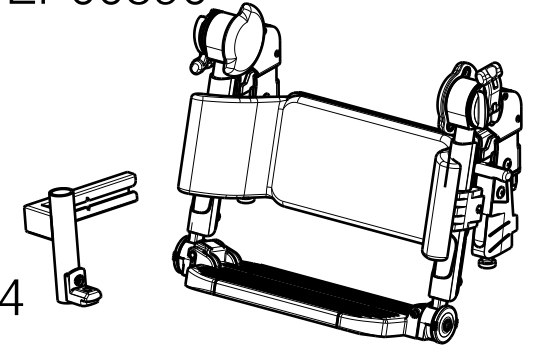


6J

BZ10- EP00590

7A

E001044

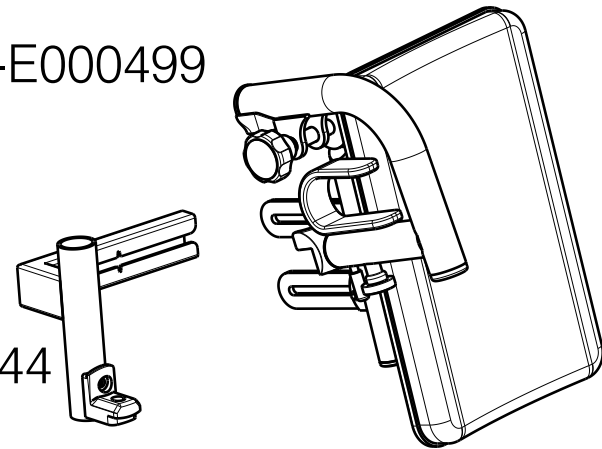


6I

BK7-E000499

7A

E001044

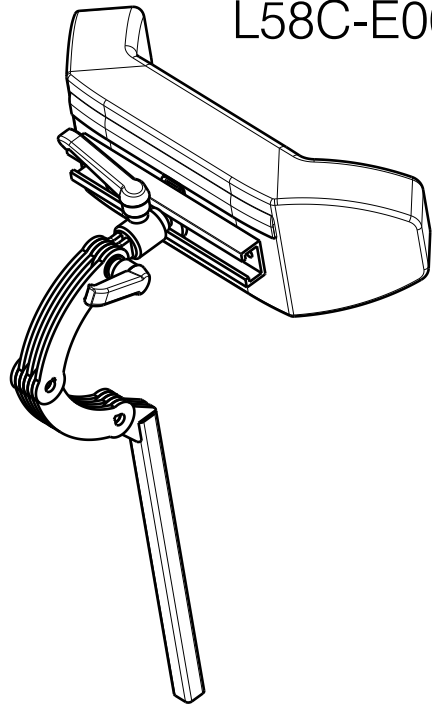


NOTICE: THE INFORMATION CONTAINED ON THIS DRAWING IS PROPRIETARY TO VERMEIREN GROUP AND SHALL NOT BE DISCLOSED IN WHOLE OR IN PART, OR USED FOR ANY DESIGN OR MANUFACTURE, EXCEPT WHEN SUCH USER POSSESSES DIRECT WRITTEN AUTHORISATION FROM VERMEIREN GROUP.

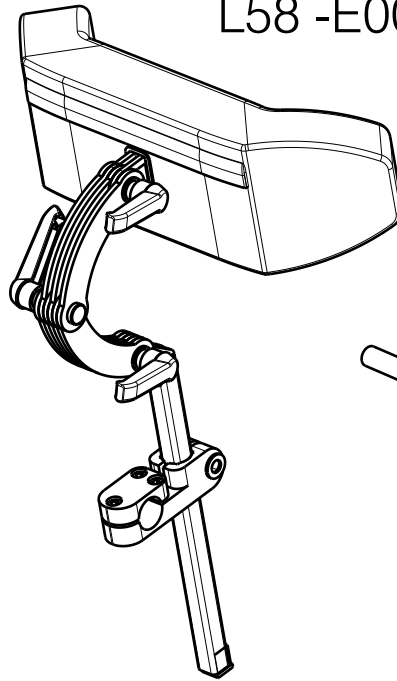
SPECIFICATION INOVYS2 35				Page 4/6
Scale:	1:7	Drafted	Verified	Confirmed
Date	2021-07-12	2023-08-30	2023-08-30	
Initials	AS	OY	AS	

Plan No.
EP00588/D

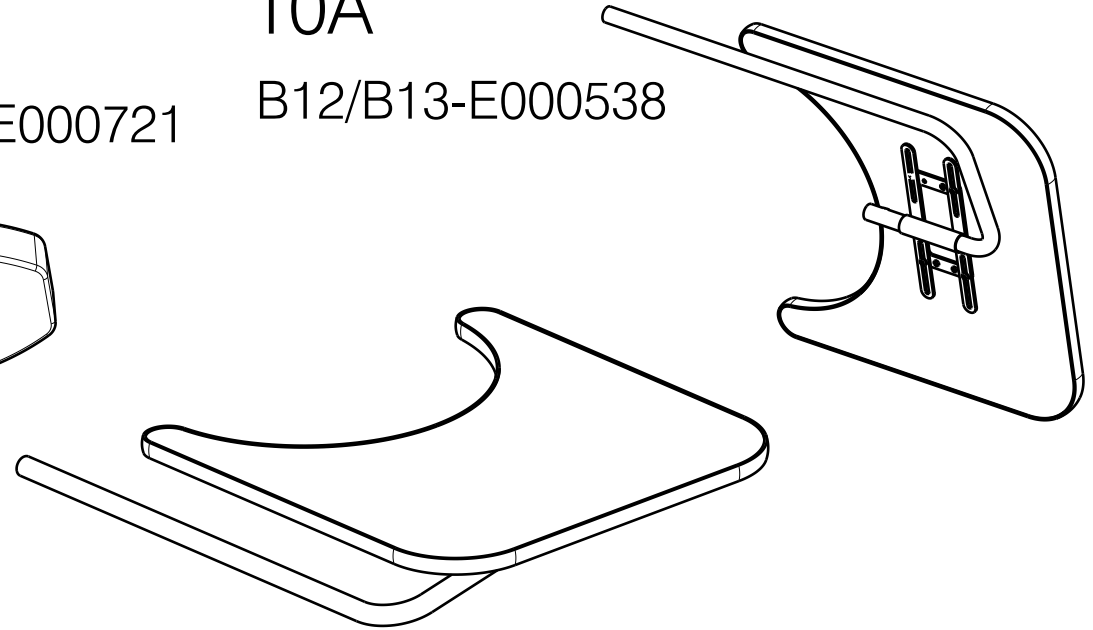
9A
L58C-E000382



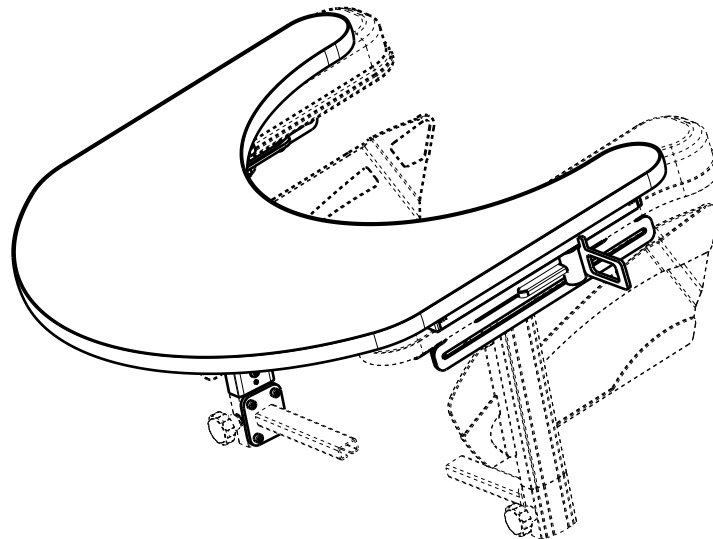
9B
L58 -E000721



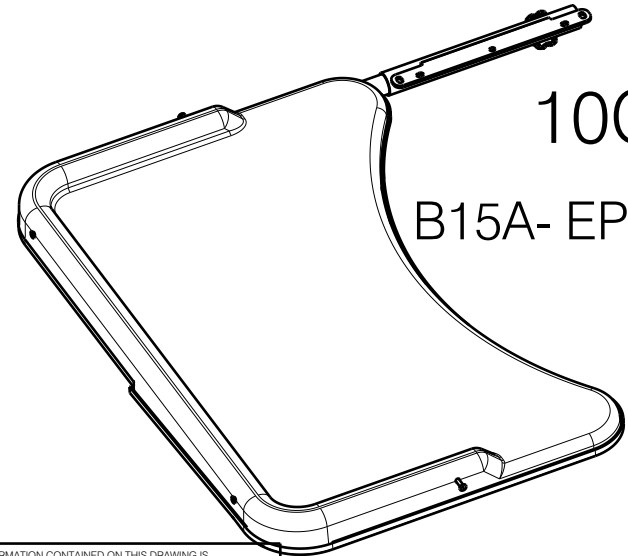
10A
B12/B13-E000538



10B
B12A-EP00740




10C
B15A- EP00142



NOTICE: THE INFORMATION CONTAINED ON THIS DRAWING IS PROPRIETARY TO VERMEIREN GROUP AND SHALL NOT BE DISCLOSED IN WHOLE OR IN PART, OR USED FOR ANY DESIGN OR MANUFACTURE, EXCEPT WHEN SUCH USER POSSESSES DIRECT WRITTEN AUTHORISATION FROM VERMEIREN GROUP.

SPECIFICATION INOVYS2 35				Page 5/6
Scale:	1:7	Drafted	Verified	Confirmed
Date	2021-07-12	2023-08-30	2023-08-30	
Initials	AS	OY	AS	

Plan No. EP00588/D


Material			
No.	Plan	Article	Quantity
1	E001066 (24")	2993448	1
	E000713 (16")	2991419	1
	E000446 (T30)	1902123	1
2	E000735	2991381	1
	E000748	2991459	1
3	EP00091(L44)	2991690	1
	E000736	2991382	1
4	EP00291(Ergo)	2993781	1
5A	EP00460 (Bi5)	---	1
B	EP00594(SER)	---	1
C	E001125 (Lotus)	2994258	1
**D	E000711(T)	1907537	1
E	EP00099(B66S)	1908753	1
6A	E000629(B06)	---	1
B	EP00643(BA6)	---	1
C	E000110(BB6)	---	1
D	EP00601(BZ8)	---	1
E	EP00602 (BZ8)	---	1
F	E000978 (BZ7/BZ8)	---	1
G	EP00593(BN6)	---	1
H	EP00092(BK6)	---	1
I	EP00499(BK7/BL7)	(2994802/2994803)	1
J	EP00590(BZ10)	---	1
7A	E001044(BK7)	1912033	1
B	EP00589	---	1
8	E000921	1910125/1910126	1
	E000420 (B80)	1910148	
	E001153 (T30)	1902200	

Material			
No.	Plan	Article	Quantity
**9A	E000382(L58C)	1918930	1
B	E000721(L58)	2991325	1
10A	E000538(B12)+(B13)	1906502	1
B	E000740 (B12A)	2991423	1
C	EP00142 (B15A)	2992244	1
*D	E000633(B15)	2990992	1
**11	EP00606	---	1
**12	EP00607	---	1

** - Upholstery thread colors depend on the color of the frame			
No.	Frame colour	Article	Description
1	C4 (Red)	2997551	TYTAN 1/2021/2520
2	C5 (Black)	W200192 (Soft)	BLACK THREAD
		W200016 (Skai)	BLACK THREAD
3	C53 (Orange)	2997552	TYTAN 8 /2021/2710
4	C76 (White)	2997548	TYTAN 1 /2021/2502
5	C79 (Blue)	2997549	TYTAN 3 /2021/2575
6	C85 (Green)	2997550	TALIA ARTYN NOKTON TEXAR/13/2020/0940

NOTICE: THE INFORMATION CONTAINED ON THIS DRAWING IS PROPRIETARY TO VERMEIREN GROUP AND SHALL NOT BE DISCLOSED IN WHOLE OR IN PART, OR USED FOR ANY DESIGN OR MANUFACTURE, EXCEPT WHEN SUCH USER POSSESSES DIRECT WRITTEN AUTHORISATION FROM VERMEIREN GROUP.

SPECIFICATION INOVYS2 35				Page 6/6
Scale: 1:7	Drafted	Verified	Confirmed	
Date	2021-07-12	2023-08-30	2023-08-30	
Initials	AS	OY	AS	

Plan No. EP00588/D
