

EP00276 / K

|Use W600111 inside
frame`s profile

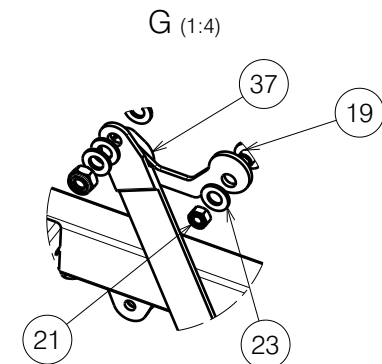
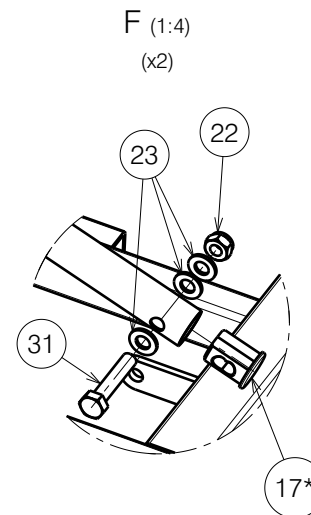
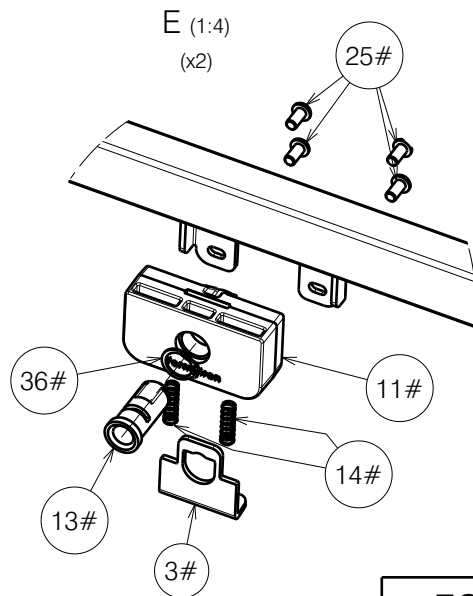
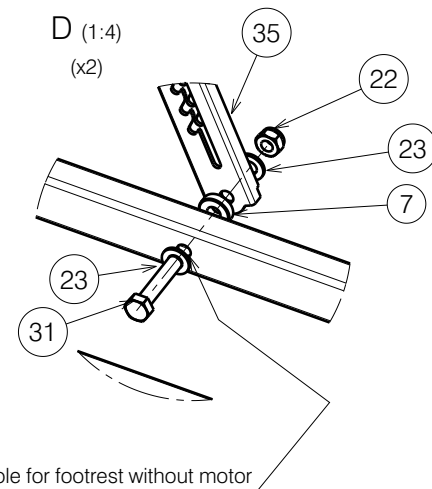
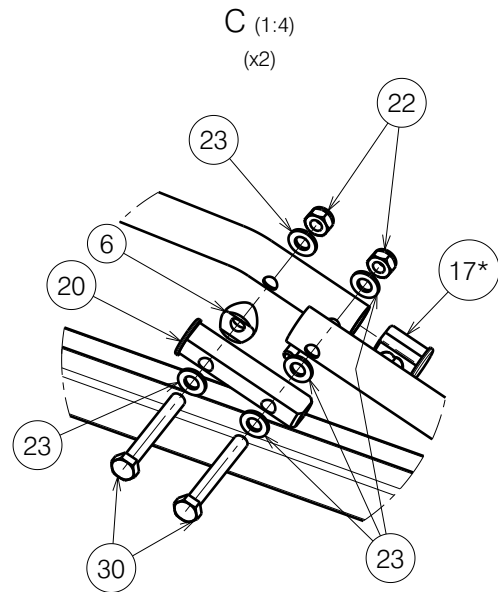
| | | | | |
|---|------------|------------|------------|------------|
| FOOTSIDE FRAME WITH ABS PLATFORM WITHOUT MOTOR/ ILLICO | | | | Plan No. |
| | | | | EP00276/ K |
| Scale: 1:8 | Drafted | Verified | Confirmed | |
| Date | 11/01/2018 | 06/05/2024 | 06/05/2024 | |
| Initials | AZ | PM | AZ | |

| Material | | | |
|----------|----------------------|---------|----------|
| No. | Plan | Article | Quantity |
| 1 | YP05880 | 27845 | 1 |
| 2 | YP05884 | 27846 | 1 |
| 3# | YP08882 | 2629303 | 2 |
| 4 | YP06217 / Right | 2795303 | 1 |
| 5 | YP05897 DP | 27851 | 1 |
| 6 | XP01997 | 2993909 | 2 |
| 7 | X004967 | 1908262 | 2 |
| 8 | XP01792 | 2993536 | 1 |
| 9 | XP01793 | 2993537 | 1 |
| 10 | XP01794 | 2993538 | 1 |
| 11# | XP01795 | 2993539 | 2 |
| 12 | D5,3 DIN 125 | 1000972 | 4 |
| 13# | XP02992 | GP22400 | 2 |
| 14# | XP01899 | GP12700 | 4 |
| 15 | XP01906 | 2993600 | 2 |
| 16 | XP01912 | 2993607 | 2 |
| 17 | XP02064 | 2993688 | 2 |
| 17* | XP01916 | 2993701 | 2 |
| 18 | Nut M5 DIN 986 | 1992804 | 2 |
| 19 | XP01954 | 2993706 | 2 |
| 20 | XP01975 | GP13500 | 2 |
| 21 | M6 DIN 985 | 1001680 | 6 |
| 22 | X001016 | 1001682 | 10 |
| 23 | D8,4xD17x1,6 DIN 125 | 1003199 | 28 |
| 24 | M6x20 | 1006999 | 2 |
| 25# | M6x12 | 1007000 | 8 |
| 26 | Velcro 25mm | 1990663 | 0,05m |
| 27 | XP02329 | 2994246 | 1 |
| 28 | M8x20 | 1992349 | 2 |
| 29 | M5x40 | 2993786 | 2 |
| 30 | M8x60 DIN 931 | 2993704 | 4 |
| 31 | M8x40 DIN 931 | 2993705 | 4 |
| 32 | Tube Cap 30x20 | 1997922 | 2 |
| 33 | Tube Cap 20x20 | 1001612 | 2 |
| 34 | Wheel D29 | 2993761 | 2 |
| 35 | Rastomat | 1909002 | 2 |
| 36# | DIN 471 15,7-1 | 2993606 | 2 |
| 37 | YP06216 / Left | 2784803 | 1 |
| 38 | SterKnop M8x12 | 2993800 | 2 |
| 39 | Nylon rivet | 1990752 | 2 |
| 40 | Cup Rubber 8mm | 1001637 | 2 |

* - Milled part, use only if 17 is unavailable.

- Use only with metal side rails (EP00256 & EP00257),

Do not use with wooden bars (EP00280) and SSR (EP00493).



FOOTSIDE FRAME WITH ABS PLATFORM WITHOUT MOTOR/ ILLICO

Plan No.

2/2 EP00276/ K

Scale: 1:8

Drafted

Verified

Confirmed

Date

11/01/2018

06/05/2024

06/05/2024

Initials

AZ

PM

AZ



EP00276 / K