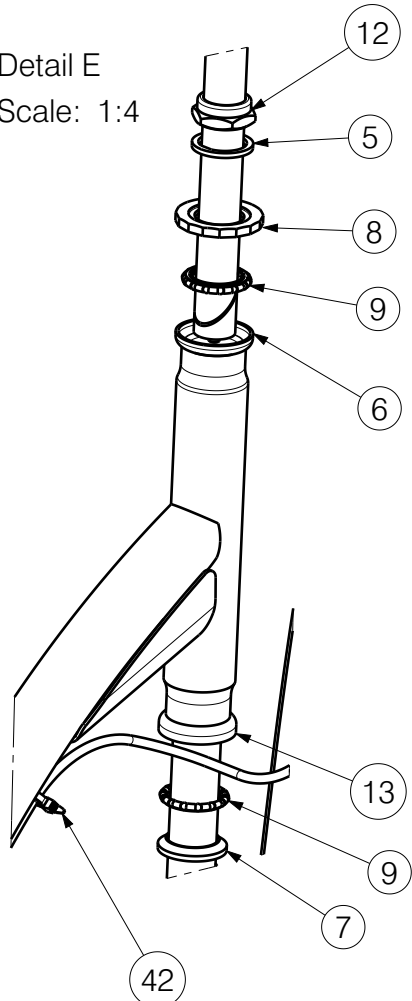
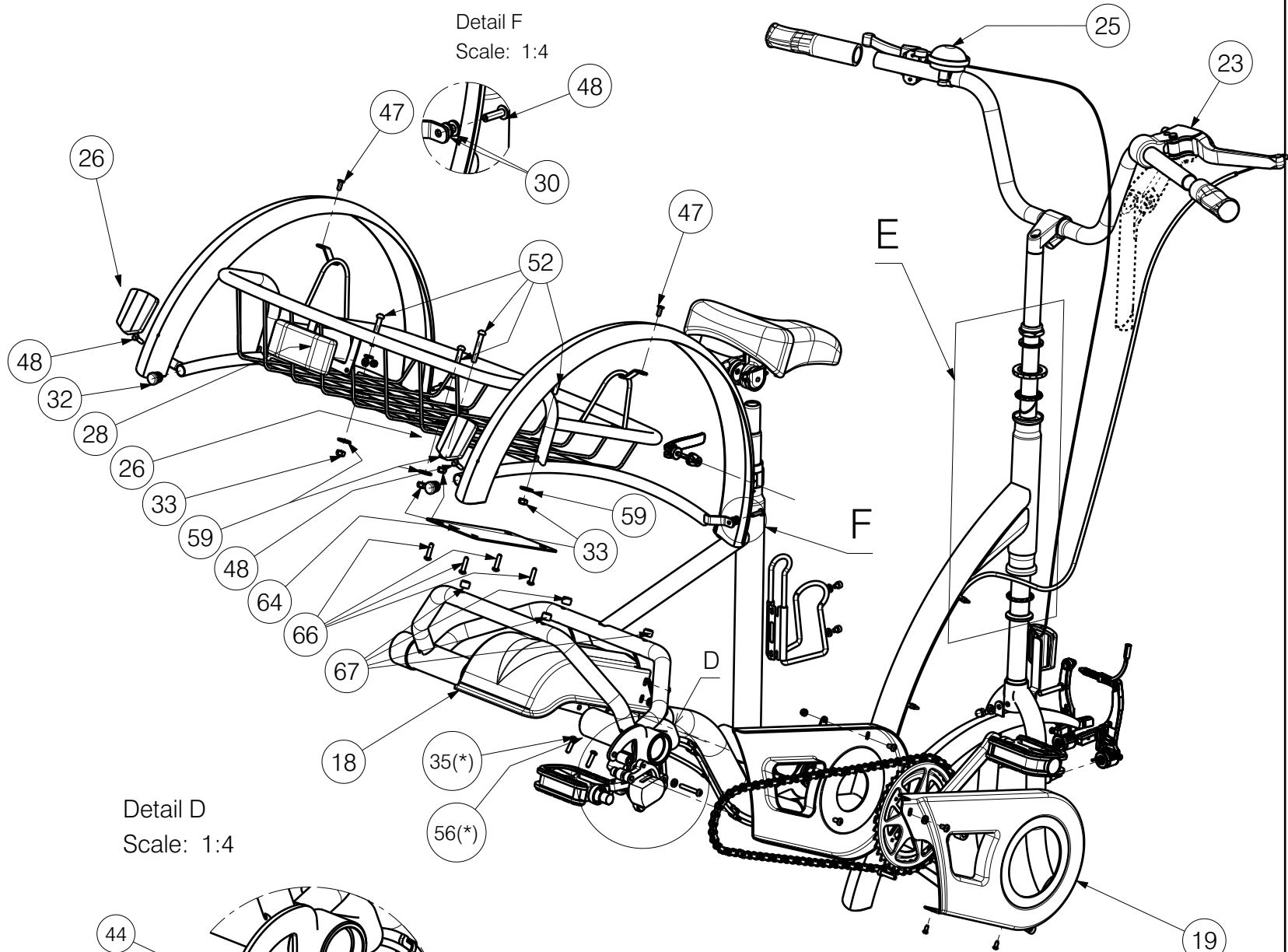


MAIN FRAME 2217				Plan No.
				1/4 EP00151/V
Scale: 1:8	Drafted	Verified	Confirmed	
Date	12/05/2014	05/06/2024	05/06/2024	
Initials	AZ	GB	AZ	

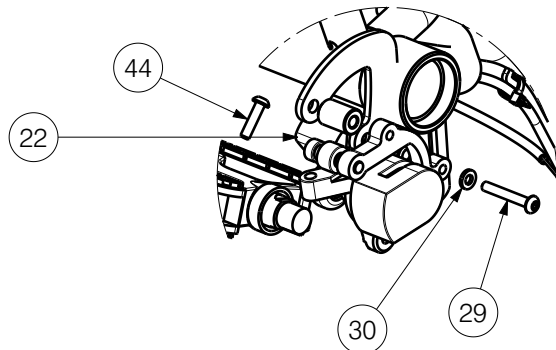
Detail E
Scale: 1:4




Detail F
Scale: 1:4






Detail D
Scale: 1:4



EP00151 / V

MAIN FRAME 2217				Plan No.
				2/4 EP00151 / V
Scale: 1:8	Drafted	Verified	Confirmed	
Date	12/05/2014	05/06/2024	05/06/2024	
Initials	AZ	GB	AZ	

Material				Material				Material (Electric version)																																							
No.	Plan	Article	Quantity	No.	Plan	Article	Quantity	No.	Plan	Article	Quantity																																				
1	YP04388DP	28533...	1	36	M5x10	1007063	8	*64	YP05381	27084..	1																																				
2	YP04709	28723...	1	37*	M5x6	1997822	2	*65	YP05380	27083..	1																																				
3	YP04801	2889104	1	38	XP01281	2992201	1	*66	---	1998368	4																																				
4 (*)	XP03125	GP00285	2	39a	XP01394	2992260	---	*67	---	2990760	4																																				
5	X000901	1001388	1	39b	XP01393	2992261	---	*68***	7 Pin Motor	1915032	1																																				
6	X000905	1001384	1	40**	XP01279	2992204	1	*69***	7 Pin Cable	1915034	1																																				
7	X000906	1001382	1		XP01280	2992205	1	70	---	---	---																																				
8	X000907	1001387	1	41*	---	2992292	1	Set E000597 1001020 <table border="1"> <thead> <tr> <th colspan="4">Material</th> </tr> <tr> <th>No.</th> <th>Plan</th> <th>Article</th> <th>Quantity</th> </tr> </thead> <tbody> <tr> <td>5</td> <td>X000901</td> <td>1001388</td> <td>1</td> </tr> <tr> <td>6</td> <td>X000905</td> <td>1001384</td> <td>1</td> </tr> <tr> <td>7</td> <td>X000906</td> <td>1001382</td> <td>1</td> </tr> <tr> <td>8</td> <td>X000907</td> <td>1001387</td> <td>1</td> </tr> <tr> <td>9</td> <td>X000993</td> <td>1001386</td> <td>2</td> </tr> <tr> <td>12</td> <td>X004610</td> <td>1998556</td> <td>1</td> </tr> <tr> <td>13</td> <td>X004614</td> <td>1904939</td> <td>1</td> </tr> </tbody> </table> <p>* option ** chosen by the customer *** not depicted (*) Free-Fix-wheel standard Torpedo-Nexus-3-7 option # use only with Torpedo, Nexus 3-7</p>				Material				No.	Plan	Article	Quantity	5	X000901	1001388	1	6	X000905	1001384	1	7	X000906	1001382	1	8	X000907	1001387	1	9	X000993	1001386	2	12	X004610	1998556	1	13	X004614	1904939	1
Material																																															
No.	Plan	Article	Quantity																																												
5	X000901	1001388	1																																												
6	X000905	1001384	1																																												
7	X000906	1001382	1																																												
8	X000907	1001387	1																																												
9	X000993	1001386	2																																												
12	X004610	1998556	1																																												
13	X004614	1904939	1																																												
9	X000993	1001386	2	42	---	W620150	7																																								
10	X003976	H5504...	2	43	---	1992400	1																																								
11	X003977	H5505...	1	44	M5/DIN985	1001679	6																																								
12	X004610	1998556	1	45	---	1000899	1																																								
13	X004614	1904939	1	46	---	2998322	1																																								
14	XP01103	28668...	1	47	4.8x12	1001585	3																																								
15	XP01464	2707000	1	48	4.8x17	1001586	4																																								
16	XP01168	2992651	1	49	3.9x9,5/DIN 798	1001530	2																																								
17	XP01190	2992217	1	50	---	1001000	1																																								
17a*	XP01191	2992218	1	51	---	F006075	1																																								
18	XP01204	2992663	1	52	M6x40	1006111	5																																								
19	XP01207	2992666	1	53	XP01426	2993114	1																																								
20	XP01208	2992667	1	54	---	1004094	****																																								
21	XP01243	2992258	1	55 (*)	XP01178	2992381	1																																								
22	XP01461	2993148	1	56 (*)	M6/DIN127B	1004414	2																																								
23	XP01264	2992254	1	57	---	1000982	1																																								
24	---	05512...	1	57a(*) (***)	P00041478 (F5)	2656704	1																																								
25	---	1000989	1	57a(*) (***)	P00041479 (F5)	2656804	1																																								
26	---	1000999	2	58 #	XP01326	2992937	2																																								
27	---	1001021	1	59	D18x6.4x1.6/DIN9021	2990046	4																																								
28	---	1001083	1	60	---	2993049	****																																								
29	M5x35	2990115	1	61***	---	U000330	1																																								
30	D5.3/DIN125	1001550	19	62	---	1900008	1																																								
31	D6.4/DIN125	1001564	5	63	---	2993196	1																																								
32	D16	1001598	4	<table border="1"> <tr> <td colspan="4">MAIN FRAME 2217</td> <td>Plan No.</td> </tr> <tr> <td colspan="4"></td> <td>3/4 EP00151/V</td> </tr> <tr> <td>Scale: 1:8</td> <td>Drafted</td> <td>Verified</td> <td>Confirmed</td> <td rowspan="3">  </td> </tr> <tr> <td>Date</td> <td>12/05/2014</td> <td>05/06/2024</td> <td>05/06/2024</td> </tr> <tr> <td>Initials</td> <td>AZ</td> <td>GB</td> <td>AZ</td> </tr> </table>								MAIN FRAME 2217				Plan No.					3/4 EP00151/V	Scale: 1:8	Drafted	Verified	Confirmed		Date	12/05/2014	05/06/2024	05/06/2024	Initials	AZ	GB	AZ													
MAIN FRAME 2217												Plan No.																																			
												3/4 EP00151/V																																			
Scale: 1:8	Drafted	Verified	Confirmed																																												
Date	12/05/2014	05/06/2024	05/06/2024																																												
Initials	AZ	GB	AZ																																												
33	M6/DIN985	1001680	4																																												
34	M6/DIN1587	1008492	1																																												
35 (*)	M6x20	1006999	2																																												

EP00151 / V




Model /Model		1,2 - Frame (Rama)	10,11 - Mudguards (Blotniki)	24 - Mudguards Holder (Uchwyt blotnika)	14 - Forks (Widelki)	40 - Saddle (Siodla)	16 - Handlebar (Kierownica)	Set Stickers (Zestaw Naklejek)	15 - Saddle support (Wspornik siodla)	17 - Handlebar support (Wspornik kierownicy)
2217	Freedom (Black/Green)	2853365 2872365	H550465 H550565	0551265	2866865	**2992204 or/lub **2992205 / *1918999(E18)	2992651 or/lub *2992660 or/lub *2992654 or/lub *EP00188	2992300	2992151 or/lub *2992274 / *1919000(E18)	2992217 or/lub *2992218
	Freedom (White/Red)	2853306 2872306	H550406 H550506	0551206	2866806	**2992204 or/lub **2992205 / *1918999 (E18)	2992651 or/lub *2992660 or/lub *2992654 or/lub *EP00188	2992301	2992151 or/lub *2992274 / *1919000 (E18)	2992217 or/lub *2992218

Model /Model		21 - Pedals (Pedaly rowerowe)	Speedometer (Licznik) ***	Mirror (Lusterko) ***	Lighting system (Oswietlenie) ***	Pushing handle (Raczka) ***	Basket (Kosz) ***
2217	Freedom (Black/Green)	2992258 or/lub *1000895 or/lub *2992280	*1003029 1 pcs/1szt.	*2992256 1 pcs/1szt.	*2992289 1 pcs/1szt.	*EP00175 1 pcs/1szt.	*1001004 (E19S) 1pcs/ 1 szt.
	Freedom (White/Red)	2992258 or/lub *1000895 or/lub *2992280	*1003029 1 pcs/1szt.	*2992256 1 pcs/1szt.	*2992289 1 pcs/1szt.	*EP00175 1 pcs/1szt.	*1001004 (E19S) 1pcs/ 1 szt.

*E18 set: 1919009 = 1918999+1919000

****	ADJUSTABLE HANDLE- BAR PIN (REGULOWANA SZTYCA)	SHORT HANDLE-BAR PIN (KROTKA SZTYCA)
S1	2993049: 630mm, 1004094: 830mm	2993049: 630mm, 1004094: 830mm
S2	2993049: 530mm, 1004094: 730mm	2993049: 530mm, 1004094: 730mm

- * option
- ** chosen by the customer
- *** not depicted
- (*) Free-Fix-wheel | standard
Torpedo-Nexus-3-7 | option
- # use only with Torpedo, Nexus 3-7

MAIN FRAME 2217				Plan No.
Scale: 1:8	Drafted	Verified	Confirmed	4/4 EP00151 / V
Date	12/05/2014	05/06/2024	05/06/2024	
Initials	AZ	GB	AZ	

EP00151 / V