
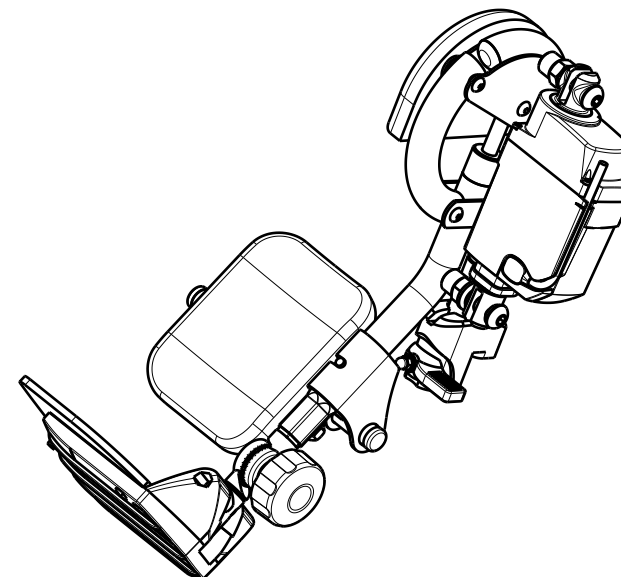


EP00052 / C


LEGREST_BZ8E_TYPE_SPRINGER_KIDS 1/2				Plan No. EP00052 / C
Scale: 1:4	Drafted	Verified	Confirmed	
Date	16/09/2011	19/04/2012	19/04/2012	
Initials	AZ	BS	TK	

Material			
No.	Plan	Article	Quantity
1	X000586	1005742	2
2	X001443	13892	1
3	X001474	1005641	1
4	X001476	1008444	2
5	X002124	1992404	1
6	X002126	1992429	1
7	X002138	1992416	1
8	X002164	14882	1
9	X002170	1992792	1
10	X002282	1992854	1
11	X003810	1900608	1
12	X003889	1901094	1
13	X002381	1009335	2
14	XP00007	2990000	1
15	Y002209	13896	1
16	Y002210	13897	1
17	Y002218	16505	1
18	Y004143	15015	1
19	Y005844	15471	1
20	YP03453	28290	1
21	YP03450(L)	28288	1
	YP03641(R)	28322	1
22	M6	1001680	7
23	YP03281 DP(R)	28784	1
	YP03285 DP(L)	28783	1
24	YP03287(L)	28785	1
	YP03288(R)	28786	1
25	D6	1001564	1
26	---	1001581	1
27	---	1001598	2
28	---	1001637	1
29	M10	1001672	2
30	D6,4	1003321	2
31	M6x35	1006057	3
32	M6x50	1006997	1

Material			
No.	Plan	Article	Quantity
33	M8x10	1008942	1
34	---	1990648	1
35	---	1991857	1
36	M5x10	1007063	1
37	---	1906790	1
38	M5	1992804	1
39	---	1991342	1
40	M6x45	1003109	1
41	M6x16	1008459	3
42	X003779	1900228	1
43	M6x20	1006999	1
44	D5,3	1001550	1
45	D10,5	1001557	1
46	M6x16	1994752	2



EP00052 / C

LEGREST_BZ8E_TYPE_SPRINGER_KIDS 2/2				Plan No.
				EP00052 / C
Scale: 1:4	Drafted	Verified	Confirmed	
Date	16/09/2011	19/04/2012	19/04/2012	
Initials	AZ	BS	TK	