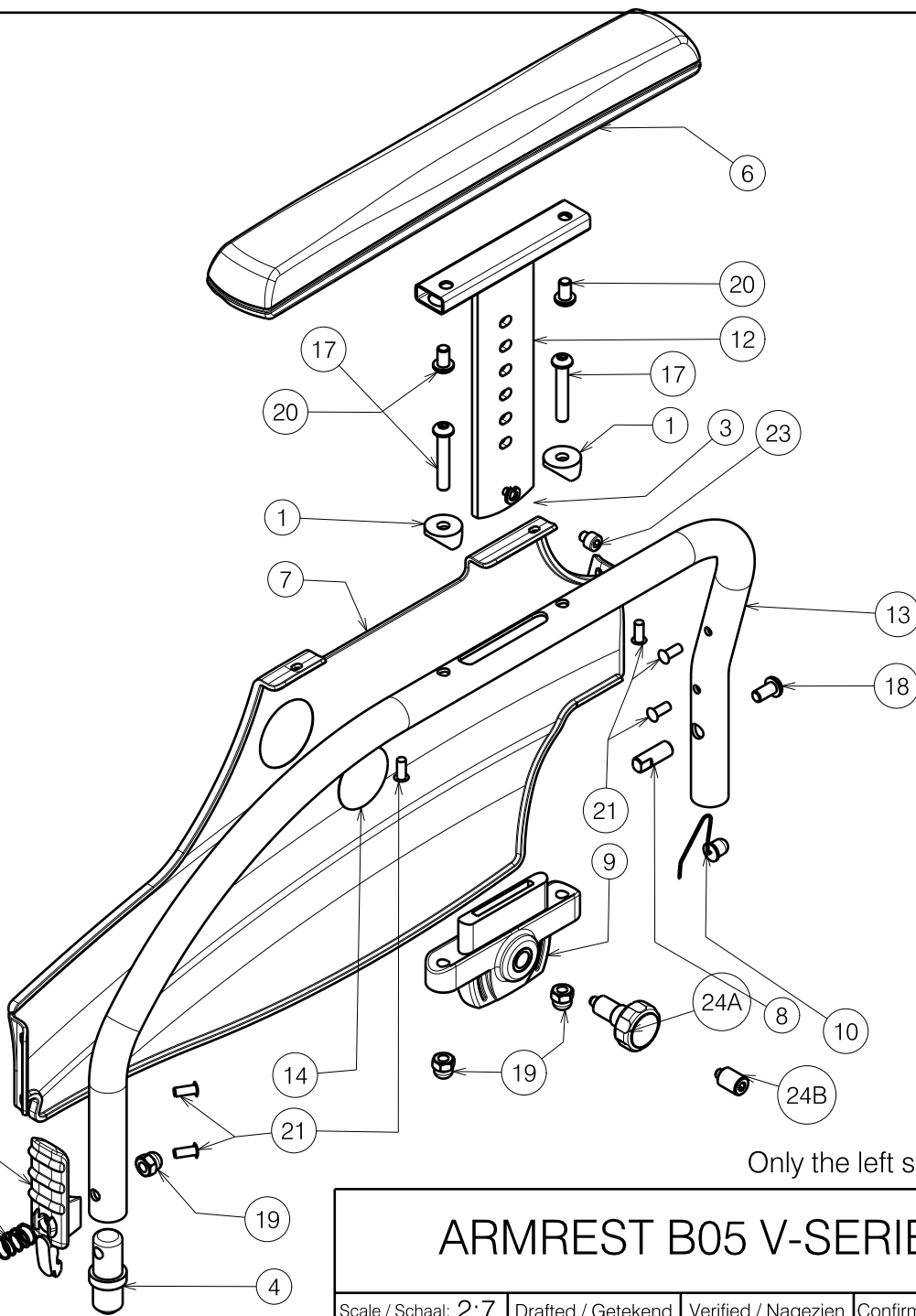
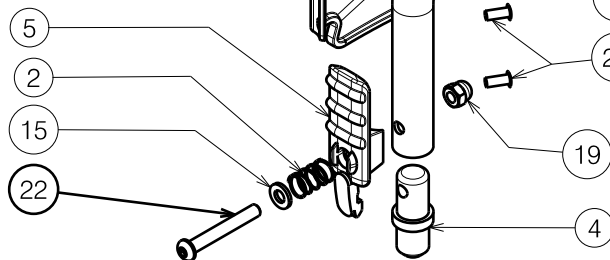


Material / Materiaal			
No. / Nr.	Plan	Article / Artikel	Quantity / Aantal
1	X000586	1005742	2
2	X004865	1003901	1
3	M5 DIN127B	1906561	1
4	X004421	1904140	1
5	X004422	1904136	1
6	X004460	1904569	1
7	X004504	1904069 (L)	1
	X004428	1904070 (R)	1
8	X004721	1735900	1
9	X004727	1906191	1
10	---	1908784	1
12	Y016759	1743504	1
13	Y016762	17440.. (L)	1
	Y016761	17441.. (R)	1
14	---	T001002	1
15	M6 DIN125	1001564	1
17	M6x35 ISO7380	1006057	2
18	M6x12 ISO7380	1007000	1
19	M6	1008492	3
20	M6x10 ISO7380	1900641	2
21	---	1990752	6
22	XC01056	3990047	1
23	M5x5 DIN912	1906562	1
24A	M10x1	1999935	1
24B	X005132	1787100	1

24B Only for on : V200 Seat Height 44
V300 Seat Height 44



Only the left side is depicted

2991194

E000646 / F

ARMREST B05 V-SERIES				Plan No. / Plannr.
				E000646 / F
Scale / Schaal: 2:7	Drafted / Getekend	Verified / Nagezien	Confirmed / Bevestigd	
Date / Datum	25/10/2010	31/08/2023	31/08/2023	
Init. / Init.	JG	SD	PJ	