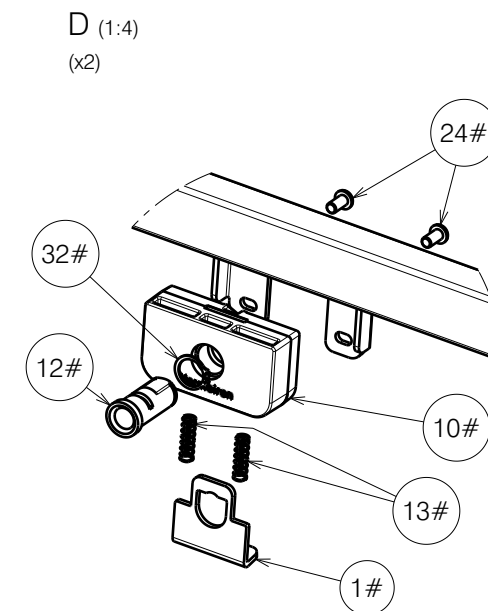
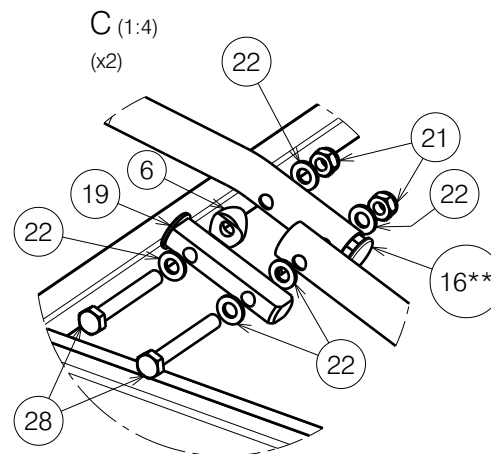


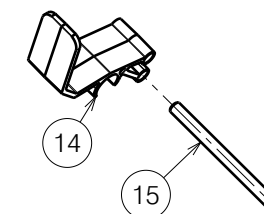
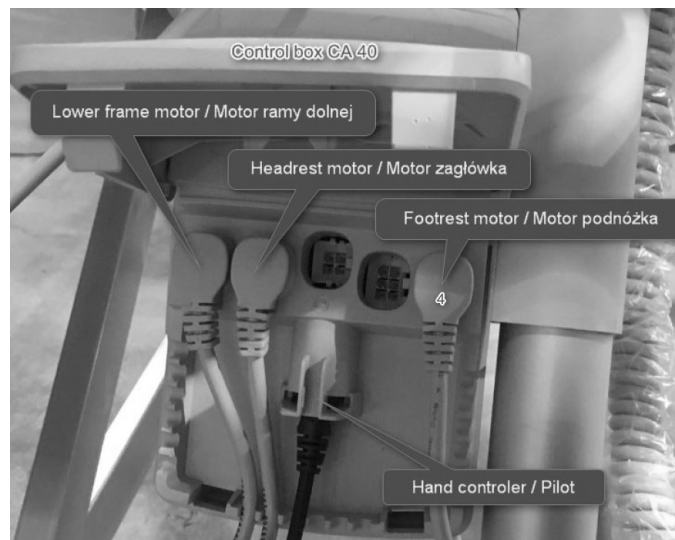
EP00368 / G

FOOTSIDE WITH ABS PLATFORM MOTOR 2ND POSITION / ILLICO				Plan No.
				EP00368/ G
Scale: 1:8	Drafted	Verified	Confirmed	
Date	10/01/2019	06/05/2024	06/05/2024	
Initials	DR	PM	AZ	

Material			
No.	Plan	Article	Quantity
1#	YP08882	2629303	2
2	YP06217 / Right	2795303	1
3	YP05897 DP	27851	1
4	YP05880	27845	1
5	YP05884	27846	1
6	XP01997	2993909	2
7	XP01792	2993536	1
8	XP01793	2993537	1
9	XP01794	2993538	1
10#	XP01795	2993539	2
11	D5,3 DIN 125	1000972	4
12#	XP02992	GP22400	2
13#	XP01899	GP12700	4
14	XP01906	2993600	2
15	XP01912	2993607	2
16	XP02064	2993688	2
16**	XP01916	2993701	2
17	Nut M5 DIN 986	1992804	2
18	XP01954	2993706	2
19	XP01975	GP13500	2
20	Nut M6 DIN 985	1001680	2
21	Nut M8 DIN 985	1001682	6
22	D8,4 DIN 125	1003199	18
23	M6x20	1006999	2
24#	M6x12	1007000	8
25	LA27	1903979	1
26	Pen D10x50	1998885	2
27	M5x40	2993786	2
28	M8x60 DIN 931	2993704	4
29	M8x40 DIN 931	2993705	2
30	Tube Cap 30x20	1997922	2
31	Tube Cap 20 x20	1001612	2
32#	DIN 471 15,7-1mm	2993606	2
33	YP06216 / Left	2784803	1
34	SterKnop M8x20	2993800	2
35	Nylon rivet	1990752	2
36	Cup Rubber 8mm	1001637	2
37	Wheel D29	2993761	2
38	Velcro 25mm	1990663	2
39*	Motor Cable	1912902	1
40*	Label "4" for cable	1995838	1



Mattress holder - way of assembly



* - Not depicted.

** - Milled part, use only if 16 is unavailable.

- Use only with metal side rails (EP00256 & EP00257),
Do not use with wooden bars (EP00280) and SSR (EP00493).

FOOTSIDE WITH ABS PLATFORM				Plan No.
MOTOR 2ND POSITION / ILLICO				EP00368/ G
Scale: 1:8	Drafted	Verified	Confirmed	
Date	10/01/2019	06/05/2024	06/05/2024	
Initials	DR	PM	AZ	

EP00368 / G

